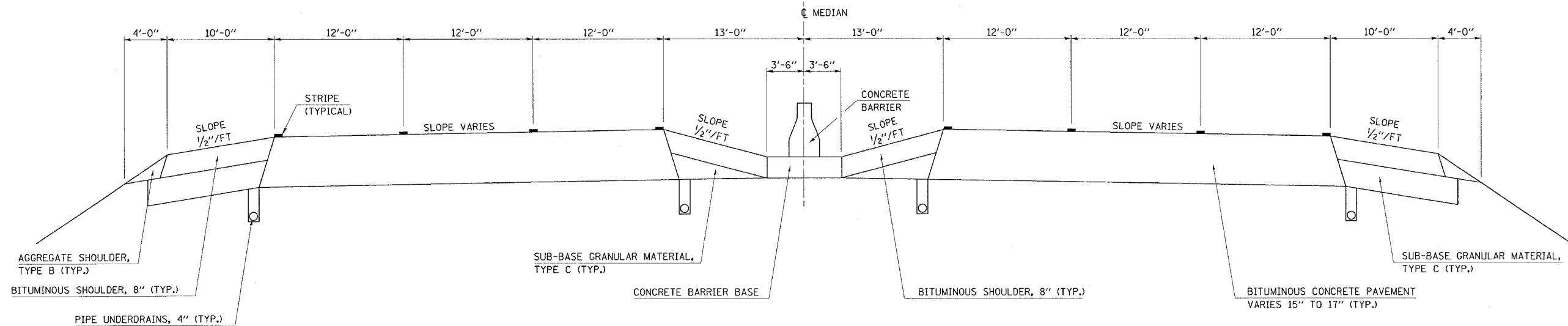


EXISTING TYPICAL CROSS SECTION

F.A.I. RTE.	SECTION	COUNTY	TOTAL SHEETS	SHEET NO.
74	*	CHAMPAIGN	115	17

CONTRACT NO. 70141
• 10(5-1-RS-1.14-(R/R/S & 6RS-3)

STATION	TO	STATION
1161+60.00		1167+00.00
1200+78.85		1236+00.00
1272+00.00		1296+00.00



PROPOSED TYPICAL CROSS SECTION (8)

(3 LANE)

STATION	TO	STATION
⑦ 1161+60.00		⑨ 1167+00.00
⑨ 1200+78.85		⑧ 1236+00.00
⑧ 1272+00.00		⑧ 1296+00.00

PAVING OMISSIONS:

S. N. 010-0020	EB STA 1198+83.64 TO STA 1201+28.89
	WB STA 1198+83.35 TO STA 1201+29.29
S. N. 010-0021	EB STA 1214+77.68 TO STA 1223+01.68
	WB STA 1214+97.95 TO STA 1223+22.59
S. N. 010-0022/23	EB STA 1279+20.00 TO STA 1280+70.00
	WB STA 1279+10.00 TO STA 1280+60.00

