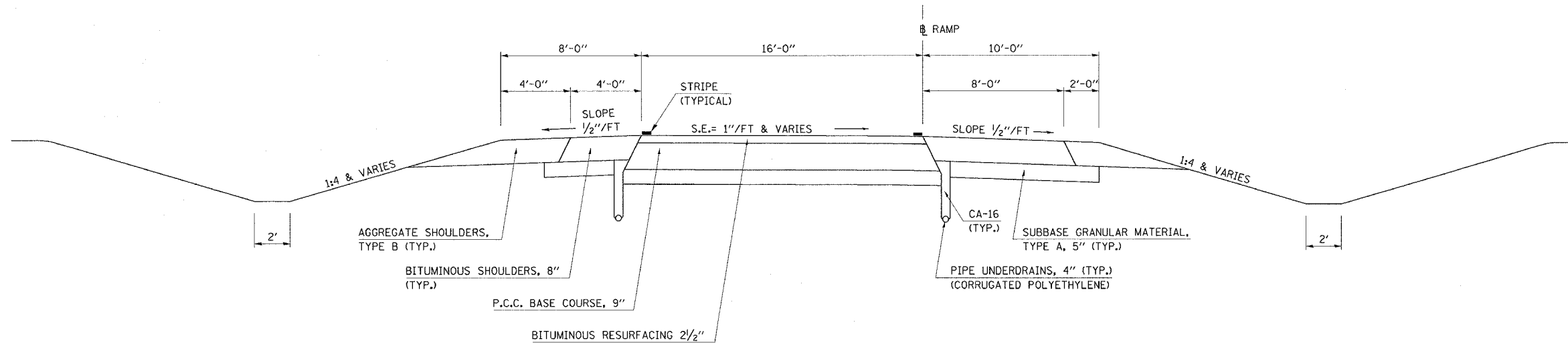


EXISTING TYPICAL CROSS SECTION

F.A.I. RTE.	SECTION	COUNTY	TOTAL SHEETS	SHEET NO.
74		CHAMPAIGN	115	34

CONTRACT NO. 70141
 * 1015-1-RS-1,14-(RIRS & GRS-3)

URBANA SPUR RAMPS PART OF A & D



PROPOSED TYPICAL CROSS SECTION

URBANA SPUR RAMPS PART OF A & D

* = THE ALGEBRAIC DIFFERENCE BETWEEN THE RAMP PAVEMENT SLOPE AND SHOULDER SLOPE SHALL NOT EXCEED 8.0%

