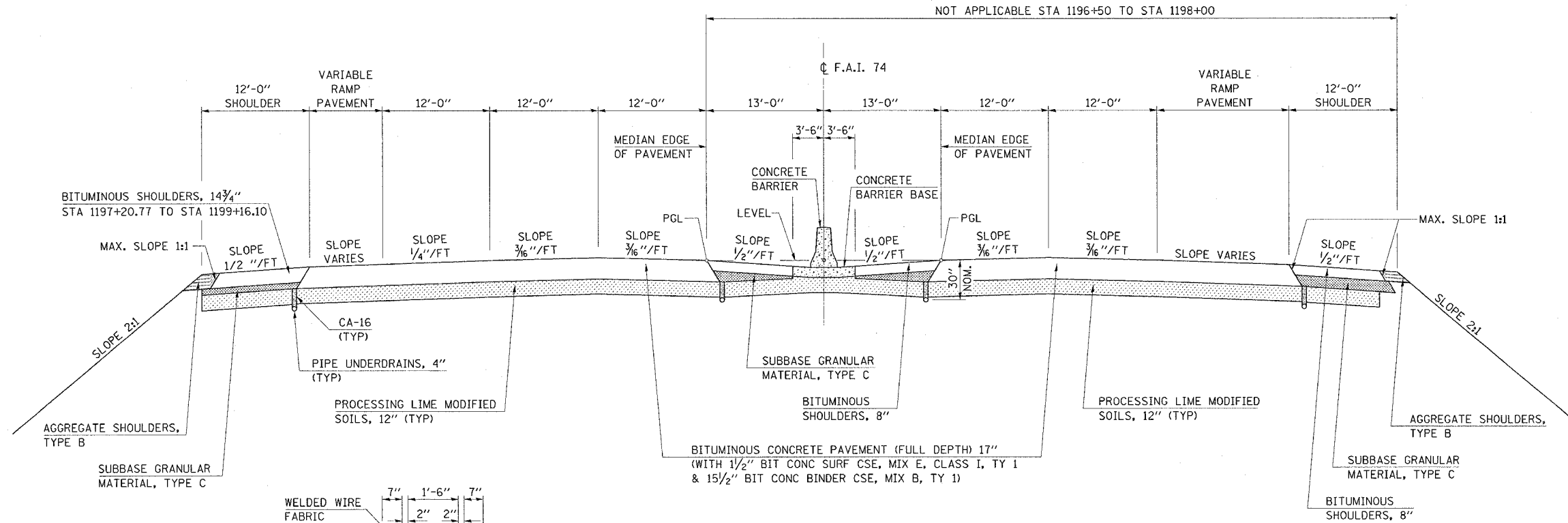


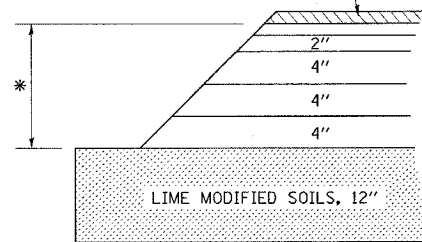
F.A.I. RTE.	SECTION	COUNTY	TOTAL SHEETS	SHEET NO.
74	*	CHAMPAIGN	115	35
STA. TO STA.				
FED. ROAD DIST. NO.		ILLINOIS FED. AID PROJECT		
* 1015-1-RS-1,14-1(RRS & 6RS-3)				

EXISTING BRIDGE TYPICAL CROSS SECTION

STATION TO STATION
 LT 1196+50 TO LT 1199+33.35
 RT 1198+00 TO RT 1199+33.35

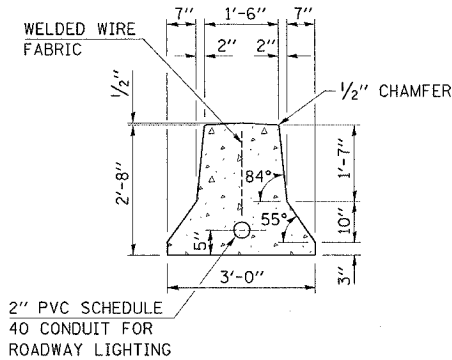


1/2" BITUMINOUS CONCRETE SURFACE COURSE, MIXTURE E, CLASS I, TYPE 1

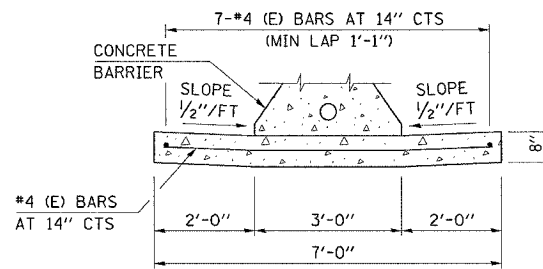


LIFT DETAIL

* 1 1/2" BITUMINOUS CONCRETE BINDER COURSE, MIXTURE B, TYPE 1
 3 LIFTS AT 4", 1 LIFT AT 2"
 1 LIFT AT 1/2"

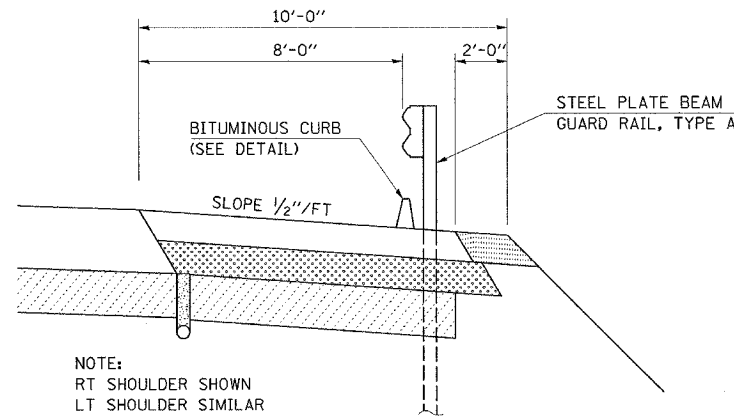


SECTION THRU CONCRETE BARRIER



NOTE: (E) DENOTES EPOXY COATED BARS

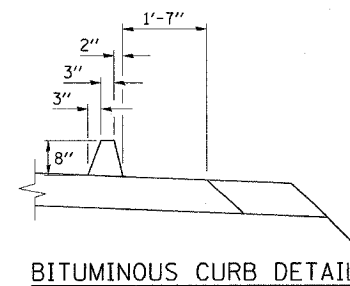
SECTION THRU BASE FOR CONCRETE BARRIER



NOTE:
 RT SHOULDER SHOWN
 LT SHOULDER SIMILAR

SHOULDER DETAIL

LT STA 1196+50 TO STA 1199+33.35
 RT STA 1198+00 TO STA 1199+33.35



BITUMINOUS CURB DETAIL

BRIDGE OMISSION

STA 1199+33.35 TO STA 1200+78.85

BRIDGE APPROACH PAVEMENT

STA 1198+83.35 TO STA 1199+33.35

ILLINOIS DEPARTMENT OF TRANSPORTATION

EXISTING BRIDGE TYPICALS

F.A.I. ROUTE 74
 SECTION 1015-1-RS-1,14-1(RRS & 6RS-3)
 CHAMPAIGN COUNTY

SCALE: DO NOT SCALE
 DATE: 12/14/04

DRAWN BY: JRP
 CHECKED BY: