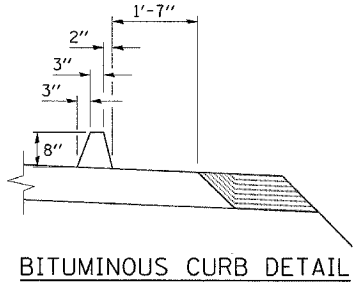
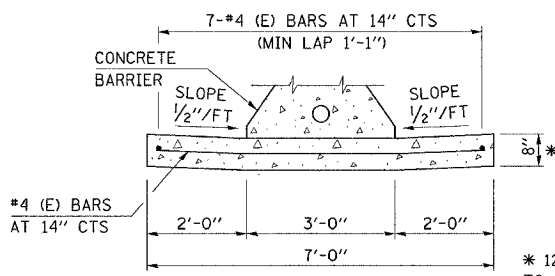
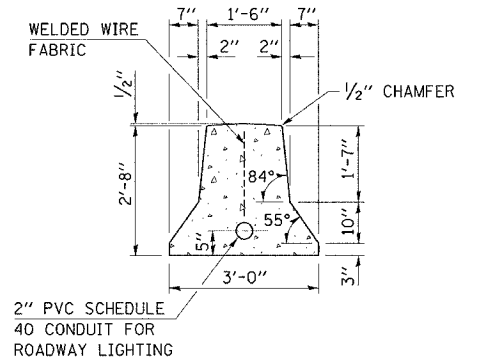
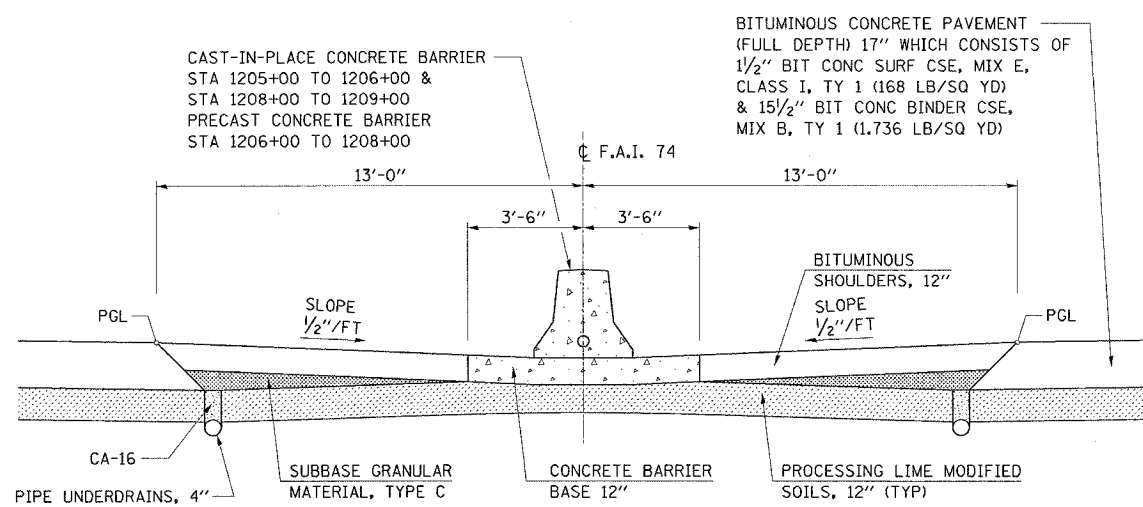
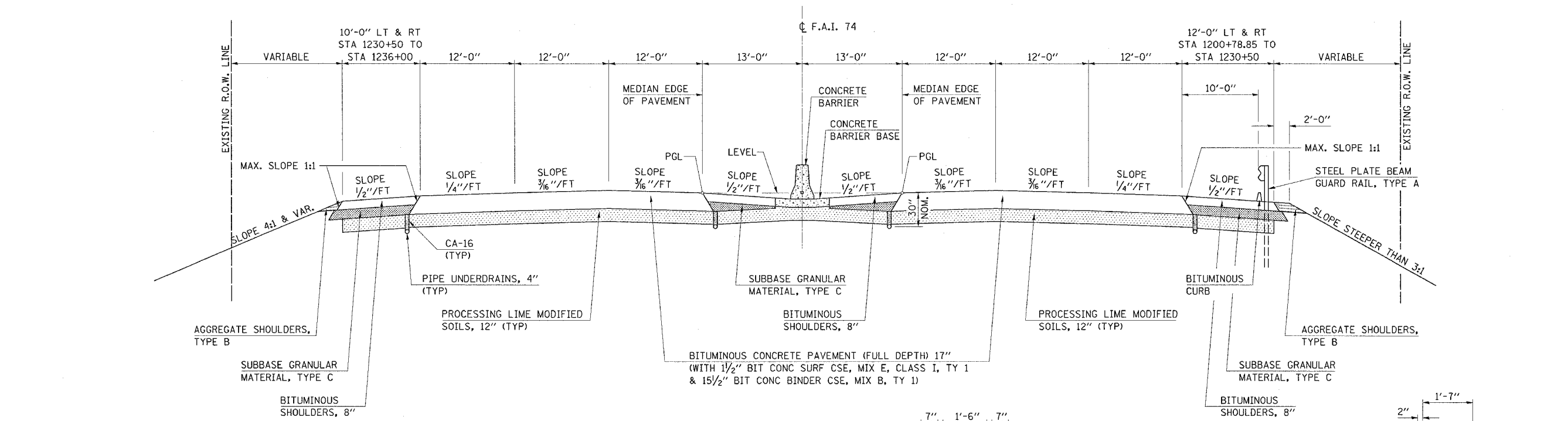


F.A.I. RTE.	SECTION	COUNTY	TOTAL SHEETS	SHEET NO.
74	*	CHAMPAIGN	115	36
STA. TO STA.				
FED. ROAD DIST. NO.		ILLINOIS FED. AID PROJECT		
* 1015-1-RS-1,14-1(R)RS & 6RS-3)				

# EXISTING BRIDGE TYPICAL CROSS SECTION

STATION TO STATION  
1200+78.85 TO 1236+00



**BRIDGE OMISSION**  
RT STA 1215+27.77 TO STA 1222+51.77  
LT STA 1215+48.51 TO STA 1222+72.51

**BRIDGE APPROACH PAVEMENT**  
STA 1200+78.85 TO STA 1201+28.85  
RT STA 1214+77.77 TO STA 1215+27.77  
RT STA 1222+51.77 TO STA 1223+01.77  
LT STA 1214+98.51 TO STA 1215+48.51  
LT STA 1222+72.51 TO STA 1223+22.51

ILLINOIS DEPARTMENT OF TRANSPORTATION  
**EXISTING BRIDGE TYPICALS**  
F.A.I. ROUTE 74  
SECTION 10(5-1-RS-1,14-1(R)RS & 6RS-3)  
CHAMPAIGN COUNTY  
SCALE: DO NOT SCALE  
DATE: 12/14/04  
DRAWN BY: JRP  
CHECKED BY: