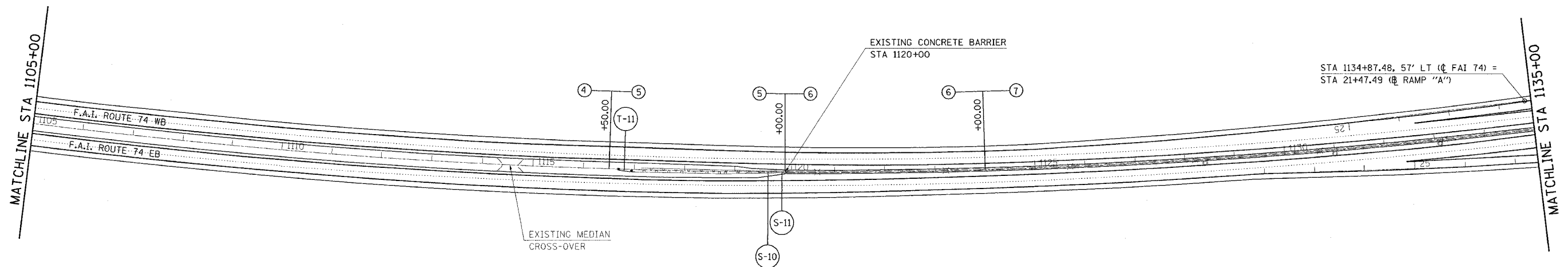
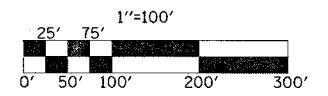


F.A.I. RTE.	SECTION	COUNTY	TOTAL SHEETS	SHEET NO.
74	*	CHAMPAIGN	115	49
STA. 1105+00		TO STA. 1135+00		
FED. ROAD DIST. NO.		ILLINOIS FED. AID PROJECT		
* 10/5-1-RS-1,14-1(R)RS & 6RS-3)				



SEC 2, T19N, R8E, 3rd PM



ILLINOIS DEPARTMENT OF TRANSPORTATION
PLAN VIEW
 F.A.I. ROUTE 74
 SECTION 10(5-1-RS-1,14-1(R)RS & 6RS-3)
 CHAMPAIGN COUNTY
 SCALE: 1" = 100'
 DATE: 06/13/05
 DRAWN BY: CADD
 CHECKED BY:

PLOT DATE = 10/25/05
 FILE NAME = c:\projects\70141\10507000\plan108.dgn
 PLOT SCALE = 1/8"=100' / IN.
 USER NAME = phillips_jr