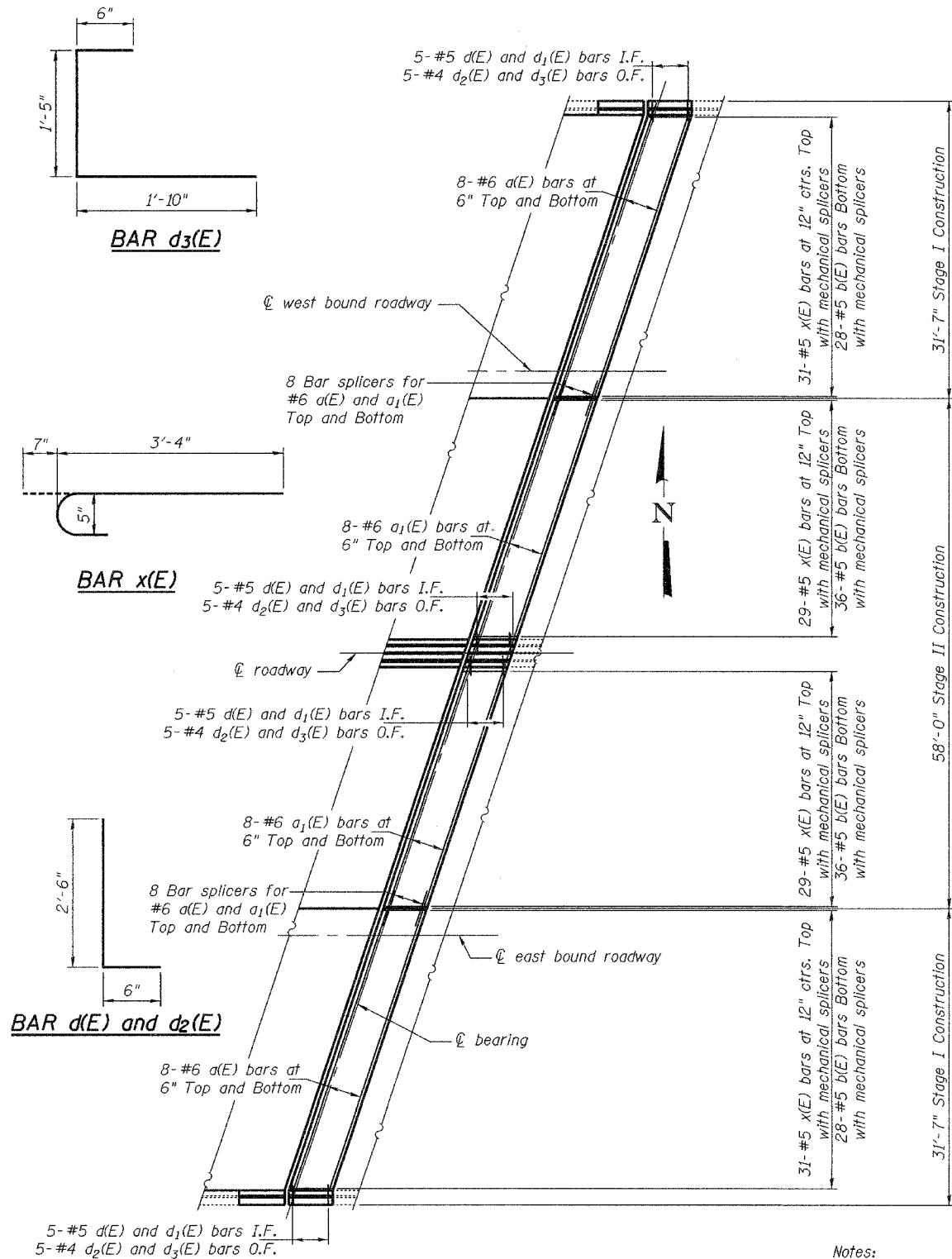


STATE OF ILLINOIS
DEPARTMENT OF TRANSPORTATION

ROUTE NO.	SECTION	COUNTY	TOTAL SHEETS	SHEET NO.
		Champaign	75	10 SHEETS
FED. ROAD DIST. NO. 7	ILLINOIS	FED. AID PROJECT-		

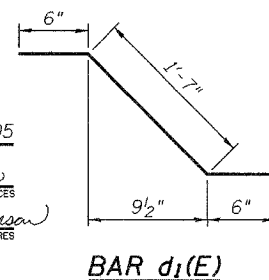
Contract No. 70141



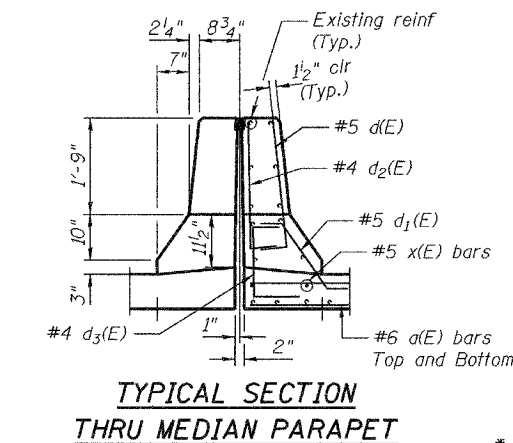
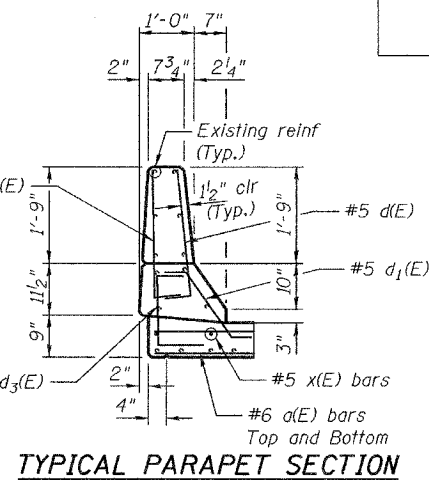
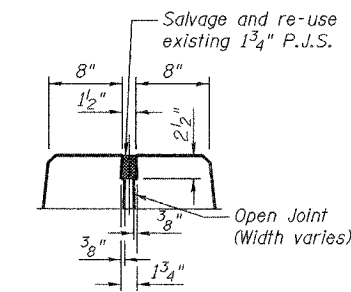
DECK PLAN AT WEST ABUTMENT

DESIGNED	M.J.T.
CHECKED	D.A.B.
DRAWN	Drew Christopher
CHECKED	M.J.T. D.A.B.

DECEMBER 7, 2005
EXAMINED *John A. Morris*
ENGINEER OF STRUCTURAL SERVICES
PASSED *Ralph E. Anderson*
ENGINEER OF BRIDGES AND STRUCTURES



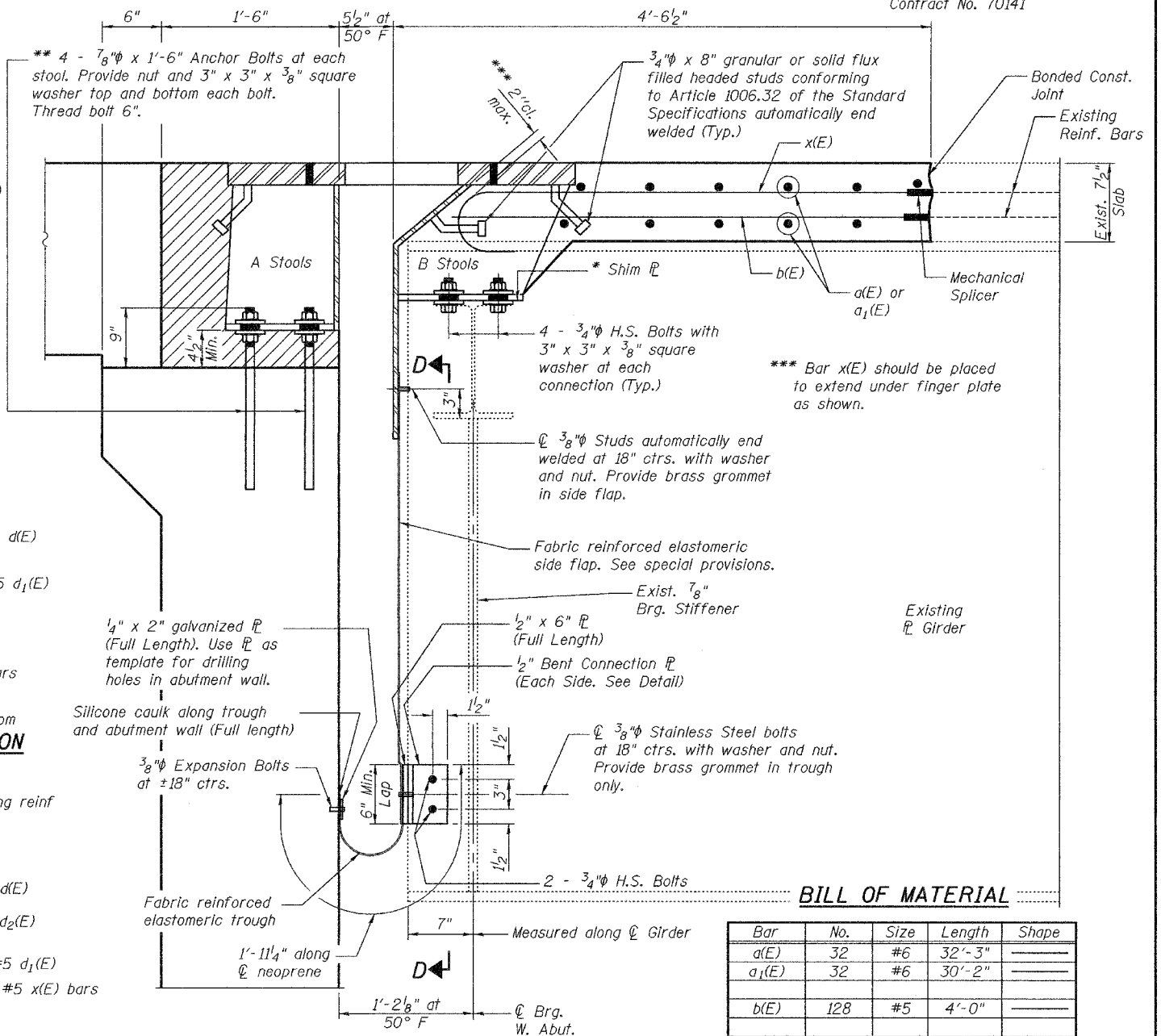
MEDIAN PARAPET
JOINT DETAIL



TYPICAL SECTION
THRU MEDIAN PARAPET

Notes:

- For stool details see sheet 6 of 10.
- For stool locations, see sheet 5 of 10.
- For view D-D see sheet 6 of 10.
- For concrete removal details for the deck, approach and at the abutment see sheet 3 of 10.
- For approach pavement details, median parapet details and quantities see roadway plans.
- For bar splicer details see sheet 9 of 10.
- Existing shear studs that interfere with the finger plate stools shall be removed using the air-arc method and grind smooth all weld material remaining on the top flange. Cost included with Furnishing and Erecting Structural Steel.
- Existing reinforcement extending into the removal area shall be cleaned, straightened and incorporated into the new construction. Any reinforcement bars that are damaged during concrete removal shall be replaced with an approved bar splicer or anchorage system. Cost shall be included with Concrete Removal.



SECTION THROUGH WEST ABUTMENT

Horizontal dimensions are measured normal to backwall of W. Abut. except as noted.

- * Provide 1/2" normal shim, one 1/4" shim, one 1/8" shim and one 1/16" shim for height adjustment. Tapered shims shall be added under the stools as required by the engineer to make a smooth finger joint. Cost shall be included with Furnishing and Erecting Structural Steel.
- ** The Contractor may use, at his option, the capsule or the adhesive cartridge type anchor rods that have been previously tested and given a prior approval by the Department. The Contractor shall install these anchor rods in pre-drilled holes (9" Min. depth) according to the manufacturer's recommendations and procedures. The capsule or the adhesive cartridge type anchor rods shall be a two part system composed of:
 1. A threaded rod stud with nut and washer of the type specified.
 2. A sealed glass capsule or a sealed glass adhesive cartridge containing pre measured amounts of the adhesive chemical.
 The anchor rods, furnished and installed and including the epoxy grout or capsules shall not be paid for separately but shall be included in the unit bid price for Furnishing and Erecting Structural Steel.

BILL OF MATERIAL

Bar	No.	Size	Length	Shape
a(E)	32	#6	32'-3"	—
a ₁ (E)	32	#6	30'-2"	—
b(E)	128	#5	4'-0"	—
d(E)	20	#5	3'-0"	L
d ₁ (E)	24	#5	2'-7"	L
d ₂ (E)	20	#4	3'-0"	L
d ₃ (E)	24	#4	3'-9"	L
x(E)	120	#5	3'-11"	—
Concrete Removal		Cu. Yd.	371.3	
Concrete Superstructure		Cu. Yd.	22.7	
Bar Splicers		Each	32	
Mechanical Splicers		Each	248	
Reinforcement Bars, Epoxy Coated		Lbs.	4340	

Reinforcement bars designated (E) shall be epoxy coated.

FINGER PLATE DETAILS
F.A.I. RT. 74
CHAMPAIGN COUNTY
SN 010-0021