

STATE OF ILLINOIS  
DEPARTMENT OF TRANSPORTATION

ROUTE NO.	SECTION	COUNTY	TOTAL SHEETS	SHEET NO.
		Champaign	77	10
FED. ROAD DIST. NO. 7		ILLINOIS		FED. AID PROJECT

Contract No. 70141

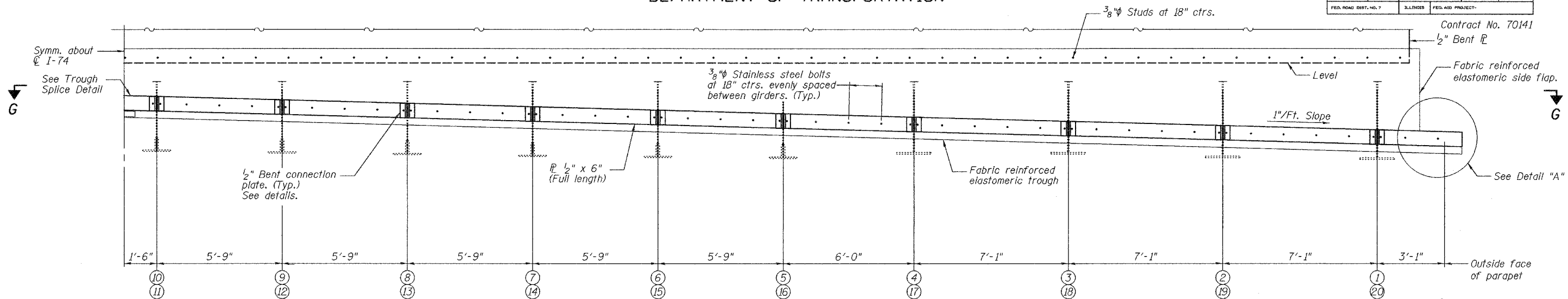
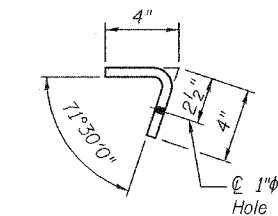


TABLE OF "B" DIMENSIONS TABLE OF "A" DIMENSIONS

Stool No.	Dim. B	Stool No.	Dim. B
B1	6 1/4"	B38	6 1/8"
B2	12 3/8"	B39	12 5/16"
B3	12 13/16"	B40	12 3/8"
B4	13 5/16"	B41	12 15/16"
B5	6 1/4"	B42	8 1/16"
B6	14"	B43	13 9/16"
B7	14 5/16"	B44	13 7/8"
B8	14 5/16"	B45	14 1/4"
B9	6 1/4"	B46	9 13/16"
B10	15 1/2"	B47	14 3/4"
B11	15 1/4"	B48	15"
B12	15 3/4"	B49	15 1/4"
B13	6 1/4"	B50	11 1/16"
B14	16 3/16"	B51	15 1/16"
B15	16 1/2"	B52	15 5/16"
B16	16 3/4"	B53	16 3/8"
B17	13 15/16"	B54	12 3/8"
B18	17 1/2"	B55	16 3/8"
B19	17 5/8"	B56	16"
B20	17 9/16"	B57	15 1/16"
B21	14 1/16"	B58	12 3/8"
B22	17 1/4"	B59	15 1/8"
B23	16 1/16"	B60	14 3/4"
B24	16 1/16"	B61	14 5/16"
B25	12 3/8"	B62	6 1/4"
B26	16 1/2"	B63	13 3/4"
B27	15 13/16"	B64	13 5/16"
B28	15 1/2"	B65	12 7/8"
B29	10 3/16"	B66	6 1/4"
B30	14 13/16"	B67	12 3/16"
B31	14 1/16"	B68	11 3/4"
B32	14"	B69	11 3/4"
B33	8 7/16"	B70	6 1/4"
B34	13 3/16"	B71	10 1/2"
B35	12 13/16"	B72	10"
B36	12 3/8"	B73	9 7/16"
B37	6 1/2"	B74	6 1/4"

Stool No.	Dim. A	No. Req'd
A1	11"	5
A2	13 1/2"	17
A3	16"	27
A4	18 1/2"	11

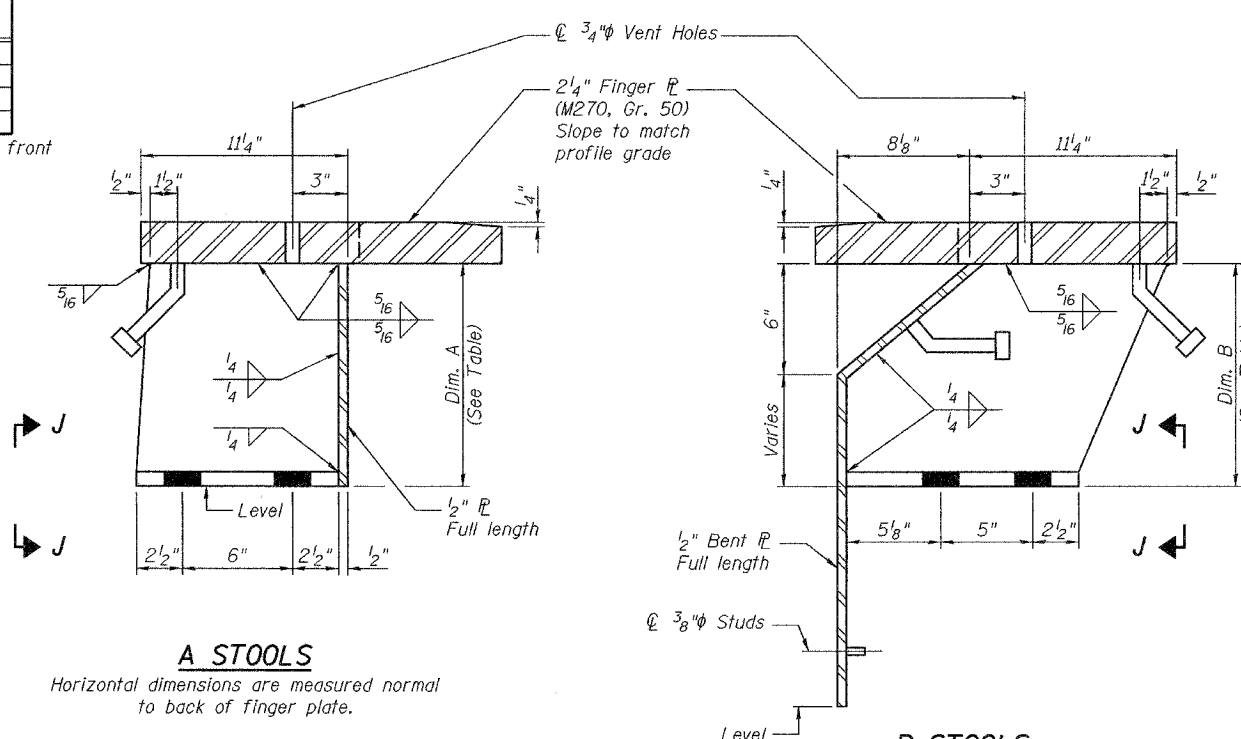
Dimension "A" is measured at front face of backwall.



BENT CONNECTION PLATE DETAILS

Dimension "B" is measured at  $\bar{C}$  Brg.

SECTION D-D

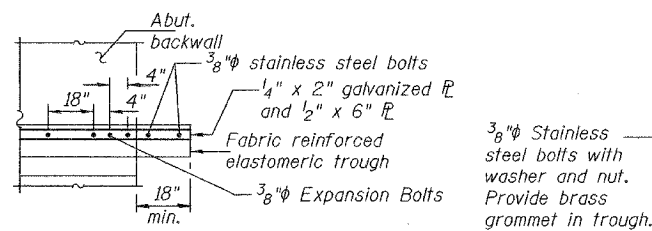


A STOOLS

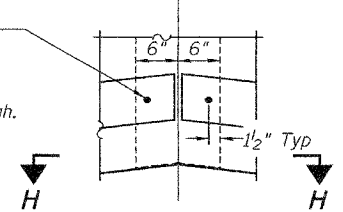
Horizontal dimensions are measured normal to back of finger plate.

B STOOLS

Horizontal dimensions are measured normal to back of finger plate.

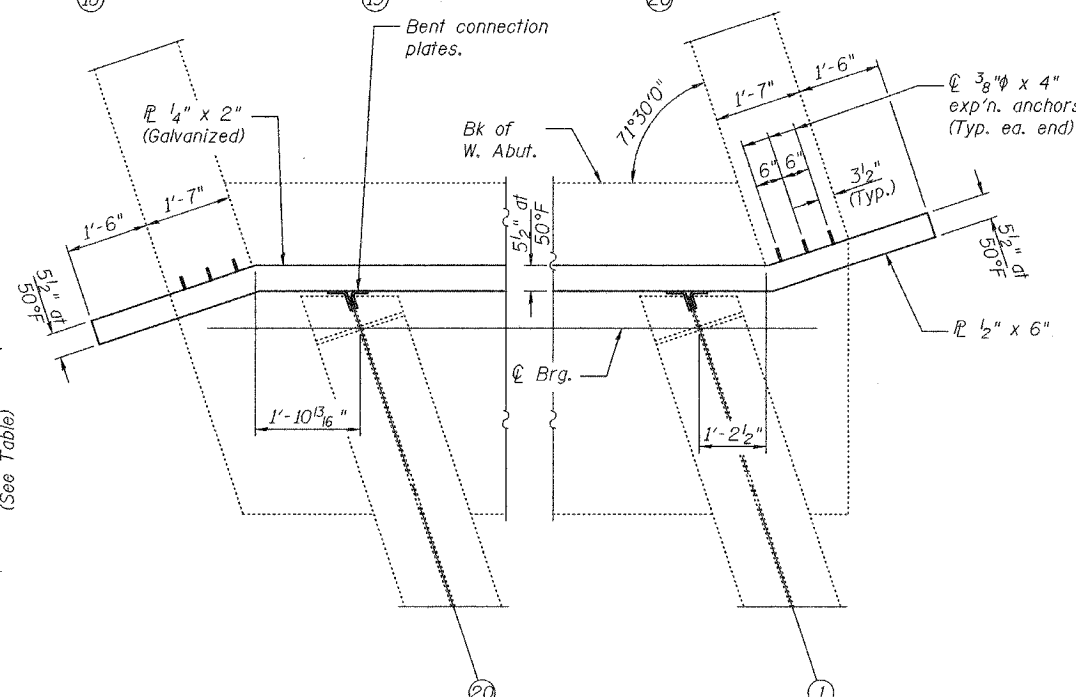


DETAIL A



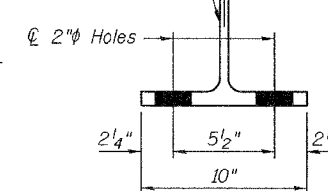
TROUGH SPLICE DETAIL

Notes:  
For stool locations, see sheet 5 of 10.

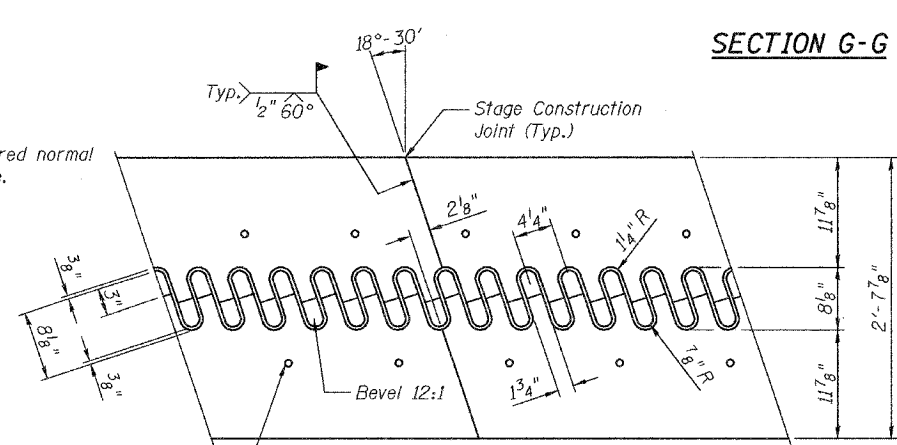


SECTION G-G

Cut stools from W27x84 (M270, Gr. 50)



VIEW J-J



FLAME CUTTING DIAGRAM

Cut from  
2 Pl's 2 1/4" x 2'-7 7/8" x 60'-7 1/8" (M270 - Gr. 50)

FINGER PLATE DETAILS

F.A.I. RT. 74  
CHAMPAIGN COUNTY  
SN 010-0021

DESIGNED	M.J.T.
CHECKED	D.A.B.
DRAWN	Drew Christopher
CHECKED	M.J.T. D.A.B.

EXAMINED	December 7, 2005
	John A. Morris
PASSED	Ralph E. Anderson