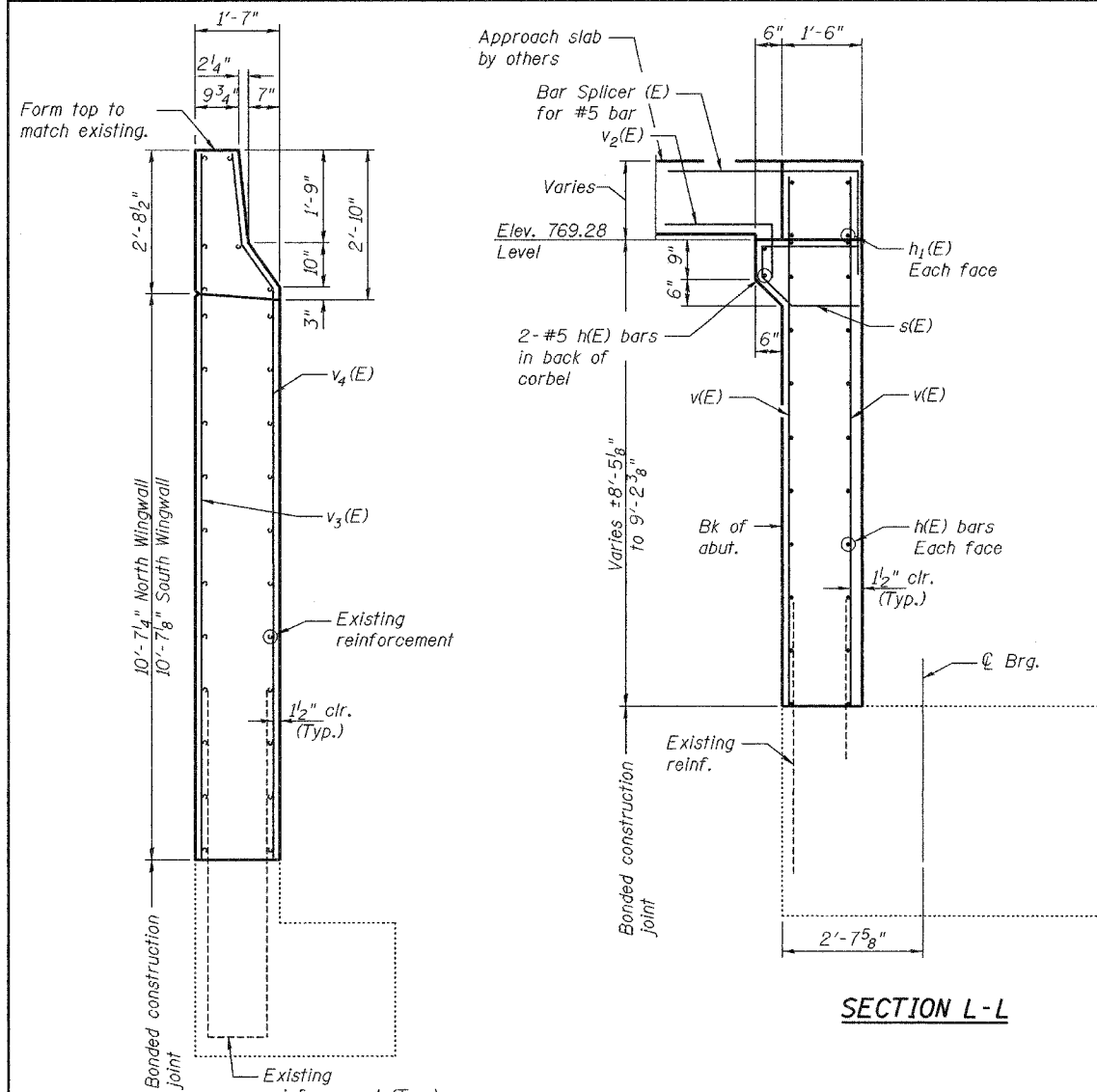


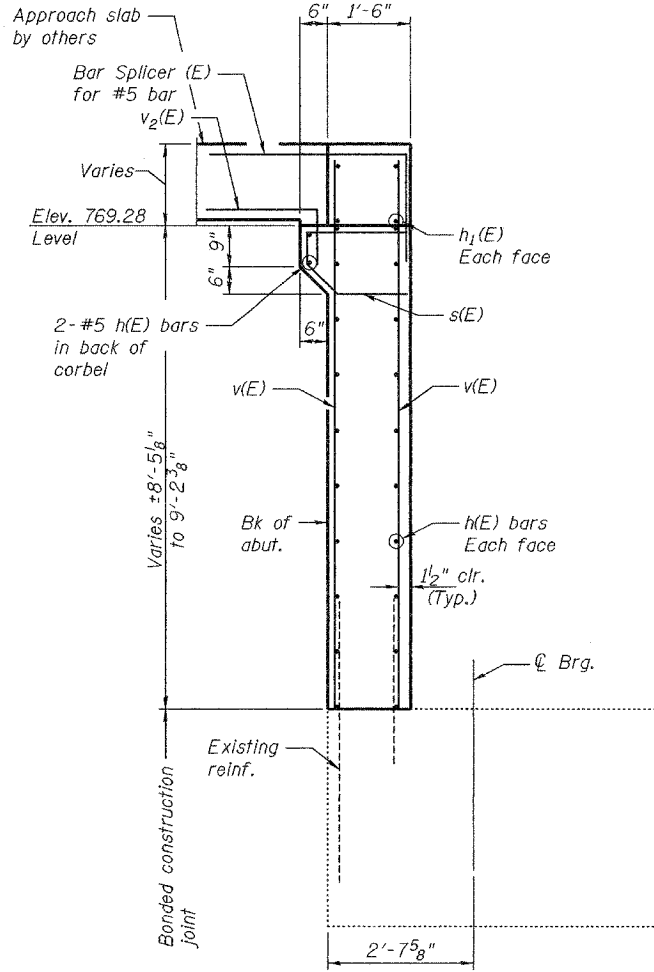
STATE OF ILLINOIS  
DEPARTMENT OF TRANSPORTATION

|                          |          |                   |           |       |
|--------------------------|----------|-------------------|-----------|-------|
| ROUTE NO.                | SECTION  | COUNTY            | SHEET NO. | SHEET |
|                          |          | Champaign         | 79        | 10    |
| SHEET NO. 8<br>10 SHEETS |          |                   |           |       |
| FED. ROAD DIST. NO. 7    | ILLINOIS | FED. AID PROJECT- |           |       |

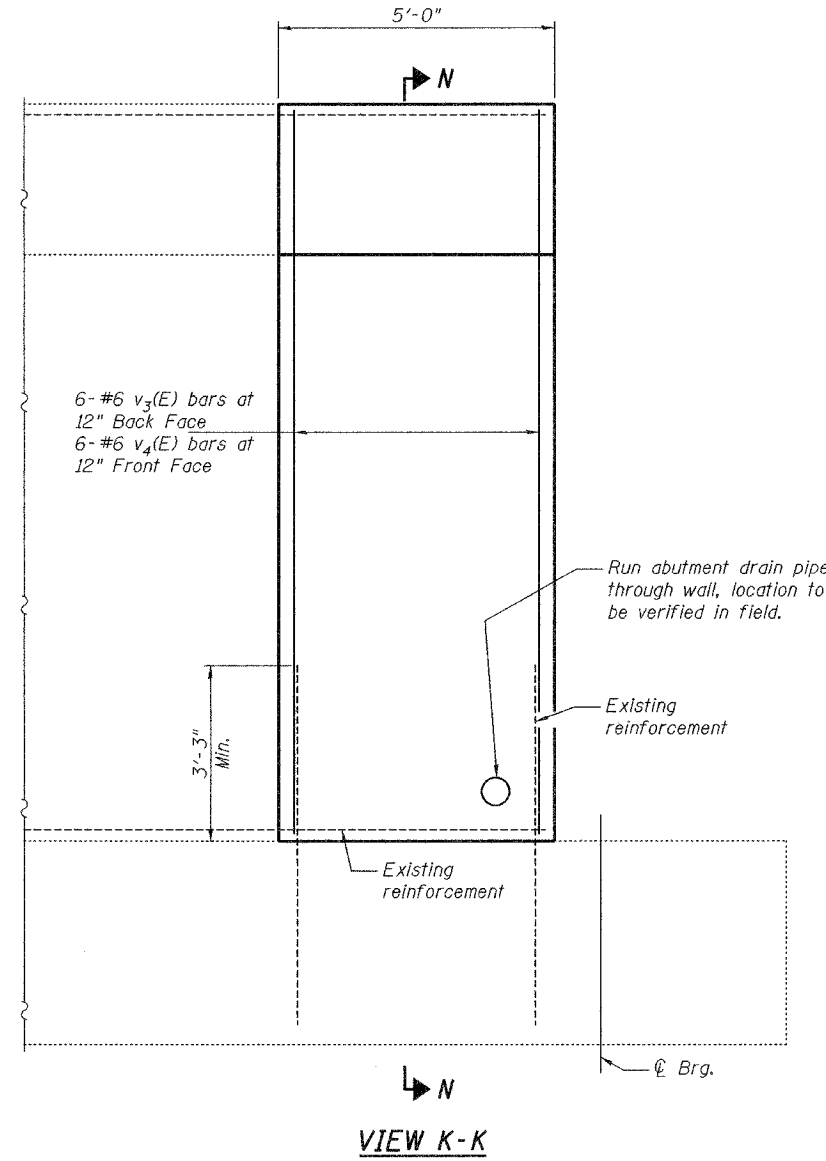
Contract No. 70141



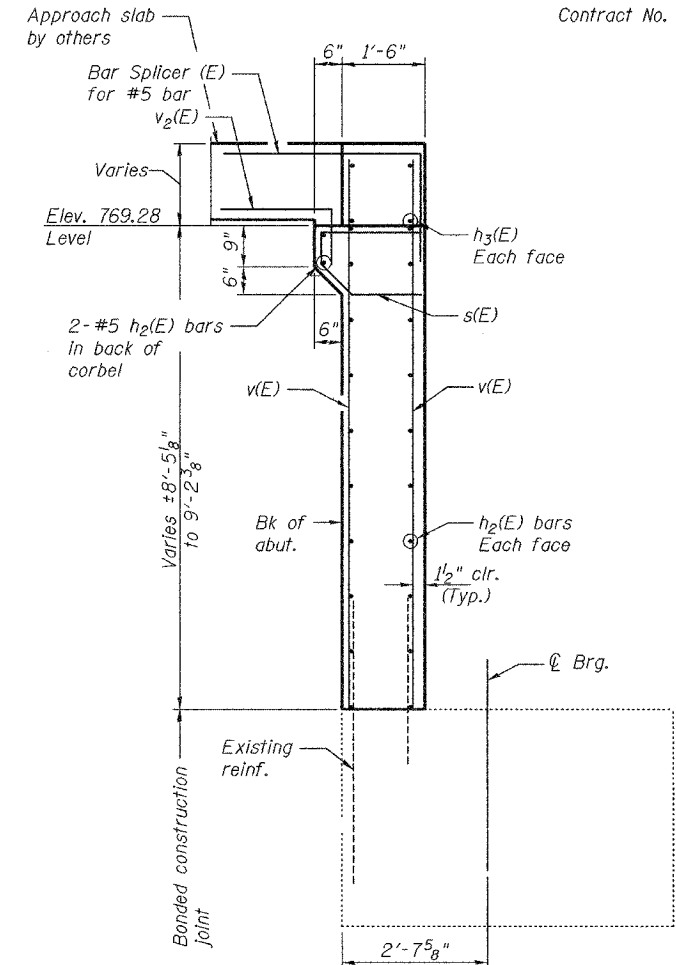
SECTION N-N



SECTION L-L



VIEW K-K

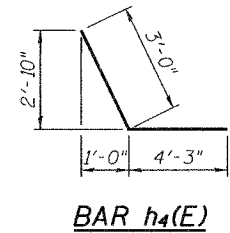


SECTION M-M

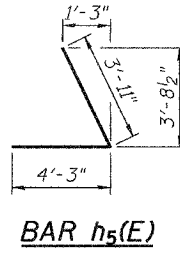
BILL OF MATERIAL

| Bar                              | No. | Size | Length | Shape   |      |
|----------------------------------|-----|------|--------|---------|------|
| h(E)                             | 52  | #5   | 31'-4" | —       |      |
| h1(E)                            | 8   | #6   | 31'-4" | —       |      |
| h2(E)                            | 52  | #5   | 32'-0" | —       |      |
| h3(E)                            | 8   | #6   | 32'-4" | —       |      |
| h4(E)                            | 22  | #6   | 7'-3"  | —       |      |
| h5(E)                            | 22  | #6   | 8'-2"  | —       |      |
| s(E)                             | 126 | #5   | 4'-2"  | —       |      |
| v(E)                             | 250 | #5   | 10'-5" | —       |      |
| v1(E)                            | 126 | #5   | 3'-0"  | —       |      |
| v2(E)                            | 126 | #5   | 3'-0"  | —       |      |
| v3(E)                            | 12  | #6   | 13'-0" | —       |      |
| v4(E)                            | 12  | #6   | 12'-6" | —       |      |
| Concrete Structures              |     |      |        | Cu. Yd. | 69.8 |
| Reinforcement Bars, Epoxy Coated |     |      |        | Lbs.    | 9220 |

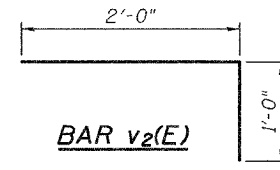
Reinforcement bars designated (E) shall be epoxy coated.  
Bars indicated thus 1 x 2-#5 etc. indicates 1 line of bars with 2 lengths per line.



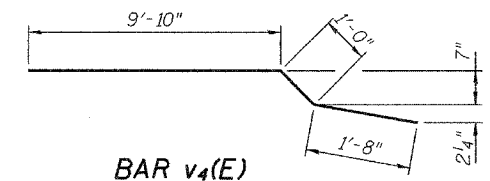
BAR h4(E)



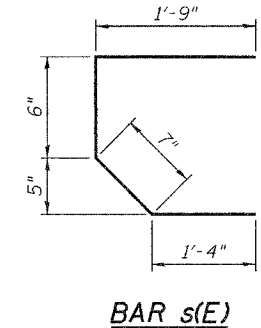
BAR h5(E)



BAR v2(E)



BAR v4(E)



BAR s(E)

MIN. BAR LAPS  
#5 = 3'-0"  
#6 = 3'-7"

Notes:  
For Bar Splicer details see sheet 9 of 10.  
Existing reinforcement extending into the removal area shall be cleaned, straightened and incorporated into the new construction. Any reinforcement bars that are damaged during concrete removal shall be replaced with an approved bar splicer or anchorage system. Cost shall be included with Concrete Removal.

WEST ABUTMENT DETAILS  
F.A.I. RT. 74  
CHAMPAIGN COUNTY  
SN 010-0021

|          |                  |
|----------|------------------|
| DESIGNED | M.J.T.           |
| CHECKED  | D.A.B.           |
| DRAWN    | Drew Christopher |
| CHECKED  | M.J.T. D.A.B.    |

December 7, 2005  
EXAMINED John A. Morris  
ENGINEER OF STRUCTURAL SERVICES  
PASSED Ralph E. Anderson  
ENGINEER OF BRIDGES AND STRUCTURES