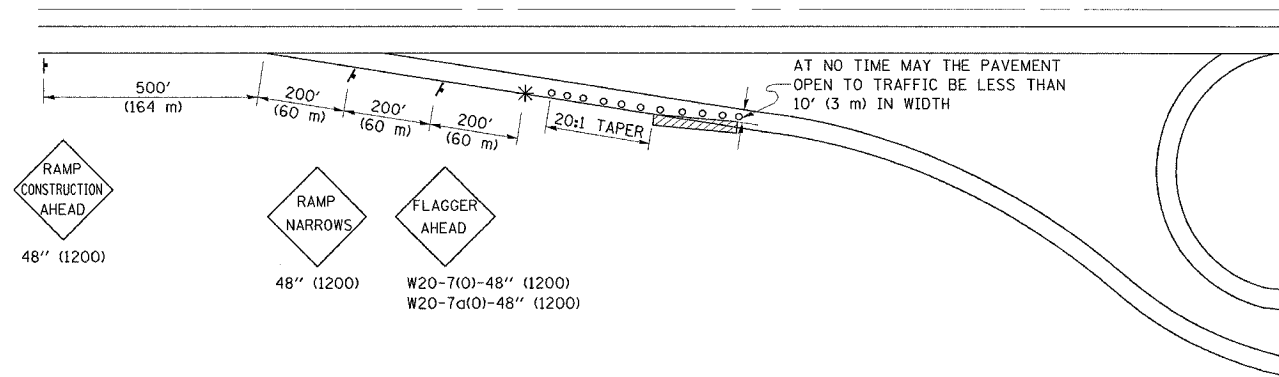


F.A.I. RTE.	SECTION	COUNTY	TOTAL SHEETS	SHEET NO.
74		CHAMPAIGN	115	93

• 1015-1-RS-1,14-1(R)RS & GRS-3

SPECIAL DETAIL FOR RAMP WORK AREAS

TYPICAL APPLICATION OF TRAFFIC CONTROL DEVICES



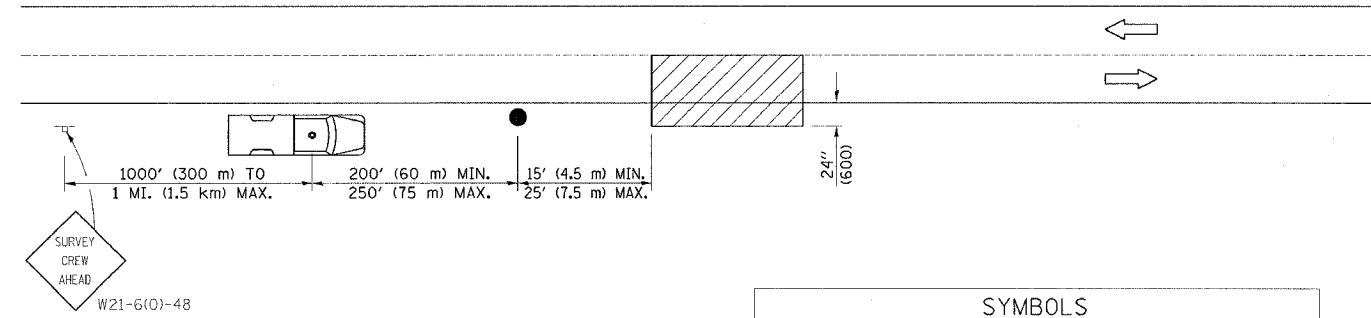
SYMBOLS

- TYPE I OR II BARRICADES OR DRUMS @ 50' (15 m) CTS.
- * FLAGGER PLACED AS DIRECTED BY THE ENGINEER
- † SIGN ON PORTABLE OR PERMANENT SUPPORT
- ▨ WORK AREA

GENERAL NOTES

1. CONSTRUCTION OPERATIONS SHALL BE CONFINED TO AN AREA NARROW ENOUGH THAT A MINIMUM OF 10' (3 m) OF PAVEMENT SHALL BE OPEN TO TRAFFIC AT ALL TIMES.
2. CONES MAY BE SUBSTITUTED FOR BARRICADES DURING DAY OPERATIONS, AT 25' (7.5 m) SPACING.
3. FULL WIDTH PAVEMENT ON THE RAMPS SHALL BE OPEN TO TRAFFIC AT NIGHT.
4. WHEN NO WORK IS BEING PERFORMED, THE FLAGGER WILL NOT BE REQUIRED. IF THE FLAGGER IS NOT PRESENT, THE FLAGGER SIGNS SHALL BE REMOVED OR COVERED.
5. ALL SIGNS SHALL BE POST MOUNTED IF WORK IN THE AREA EXCEEDS FOUR DAYS OF DAYTIME OPERATIONS.
6. LONGITUDINAL DIMENSIONS MAY BE ADJUSTED SLIGHTLY TO FIT FIELD CONDITIONS.
7. ALL VEHICLES, EQUIPMENT, WORKERS (EXCEPT FLAGGER) AND THEIR ACTIVITIES ARE RESTRICTED AT ALL TIMES TO ONE SIDE OF THE PAVEMENT UNLESS OTHERWISE AUTHORIZED BY THE DISTRICT ENGINEER.

DETAIL FOR NIGHTTIME LIGHTING INSPECTION



TYPICAL APPLICATIONS

UTILITY OPERATIONS

SYMBOLS	
▨	WORK AREA
†	SIGN ON PORTABLE OR PERMANENT SUPPORT
	TRUCK WITH FLASHING AMBER LIGHT AND DUAL EMERGENCY FLASHERS
●	FLAGGER WITH TRAFFIC CONTROL SIGN

	NAME	DATE	REVISIONS	
			NAME	DATE
DESIGNED	CENTRAL	03/96		
CHECKED	D.L.P.	05/96	K.A.G.	08/03
CADD NO.	F-5.07			

ALL DIMENSIONS ARE IN INCHES (MILLIMETERS) UNLESS OTHERWISE SHOWN.

PLOT DATE = 10/24/2005
 FILE NAME = c:\p\proj\p05\05072005\05072005.dwg
 PLOT SCALE = 28.0000 / 1 IN.
 USER NAME = philip.j.r

	NAME	DATE	REVISIONS	
			NAME	DATE
DESIGNED	D.L.P.	3-95		
CHECKED	D.L.P.		K.A.G.	08/00
CADD NO.	F-5.01		K.A.G.	01/05

ALL DIMENSIONS ARE IN INCHES (MILLIMETERS) UNLESS OTHERWISE SHOWN.