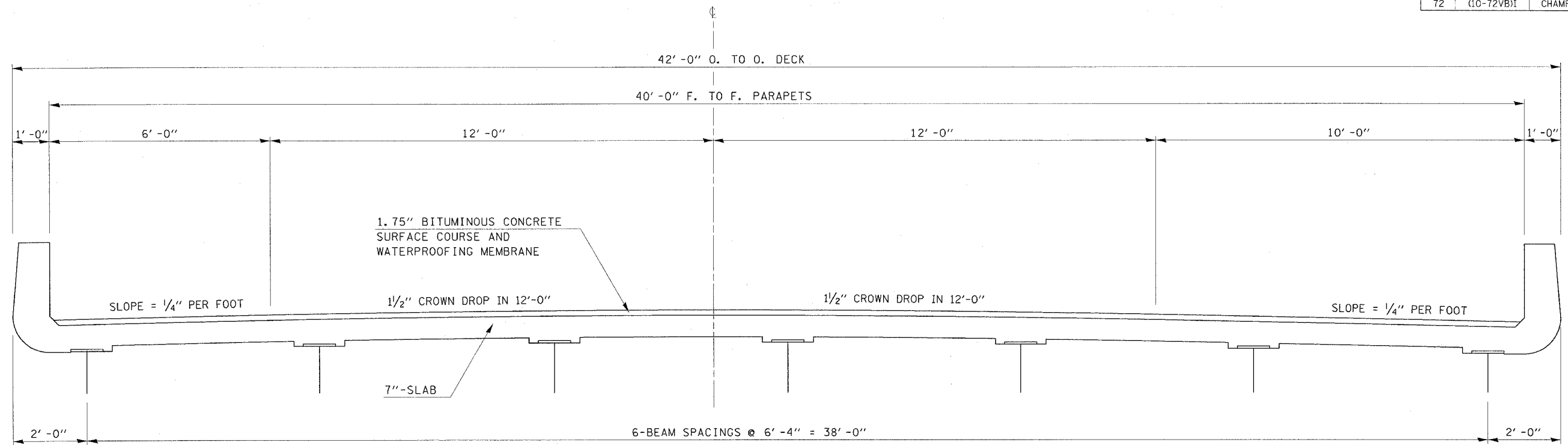
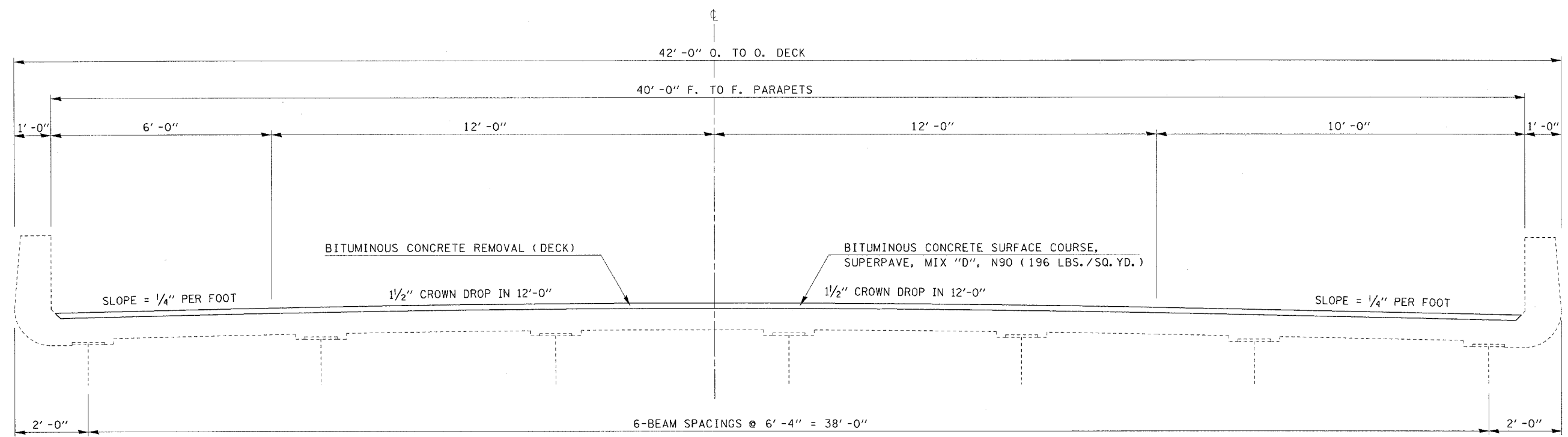


F.A.I. RTE.	SECTION	COUNTY	TOTAL SHEETS	SHEET NO.
72	(10-72VB)I	CHAMPAIGN	13	5



EXISTING TYPICAL CROSS SECTION
(LOOKING EAST)



PROPOSED TYPICAL CROSS SECTION
(LOOKING EAST)