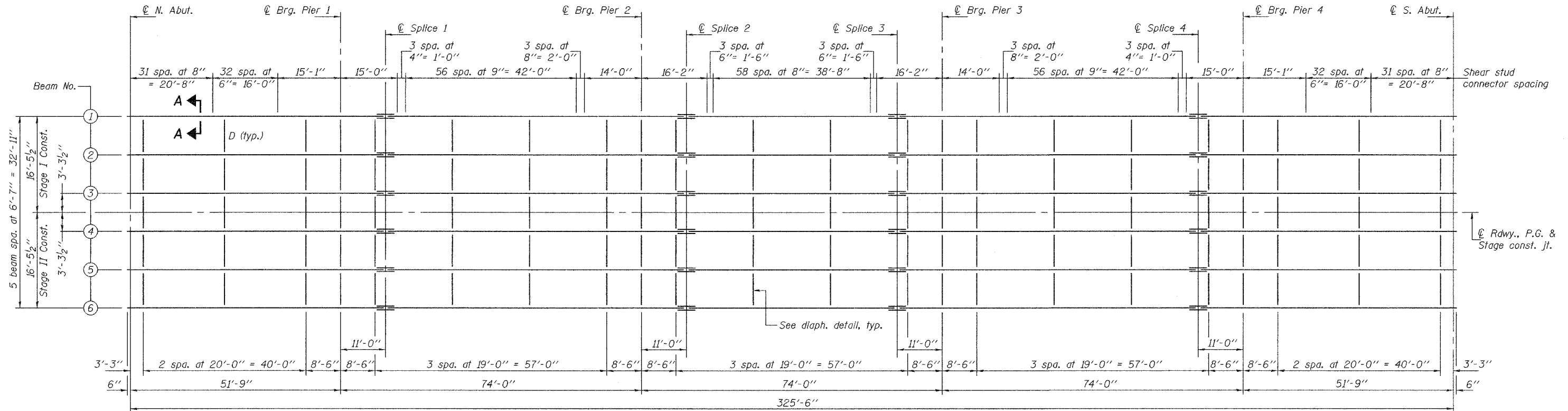
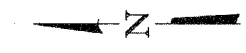


STATE OF ILLINOIS
DEPARTMENT OF TRANSPORTATION

ROUTE NO.	SECTION	COUNTY	TOTAL SHEETS	SHEET NO.
FAP 314	108BR-1	MADISON	123	40
FED. ROAD DIST. NO. 7		ILLINOIS	FED. AID PROJECT	

SHEET NO. 12
29 SHEETS

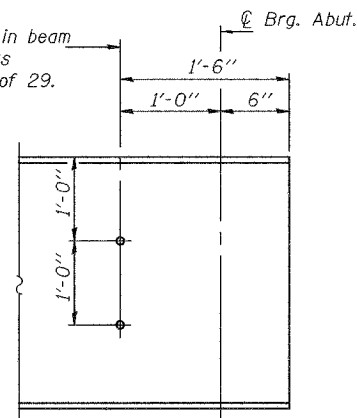
Contract #76454



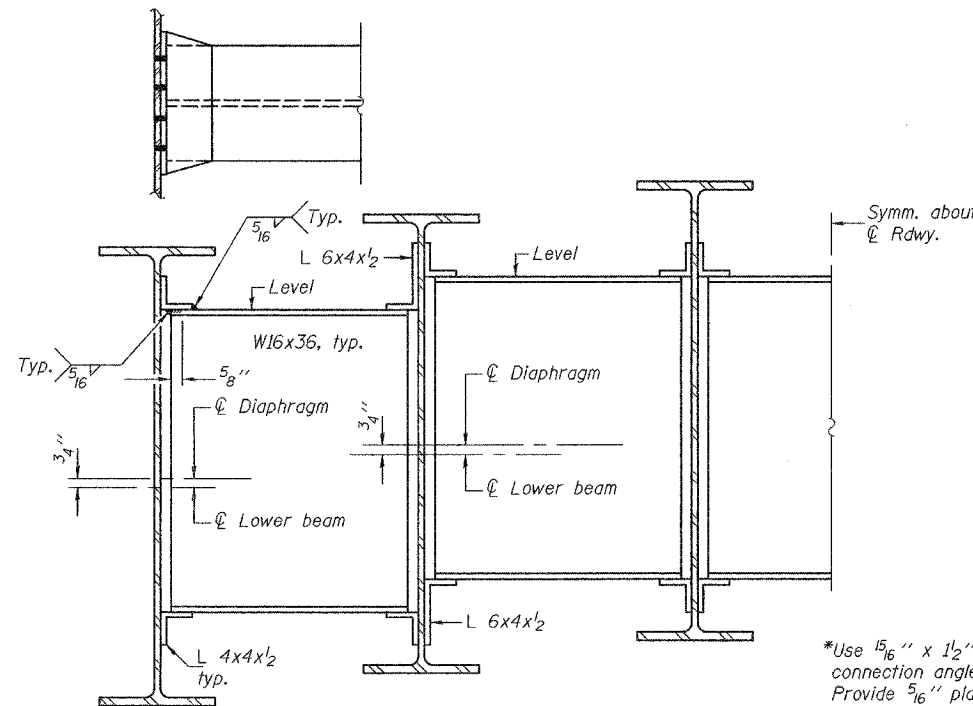
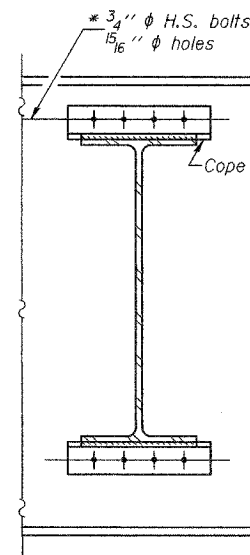
PLAN

All beams shall be W30x148 AASHTO M 270, Grade 50 (NTR)
NTR denotes members to which Notch Toughness Requirements are applicable.

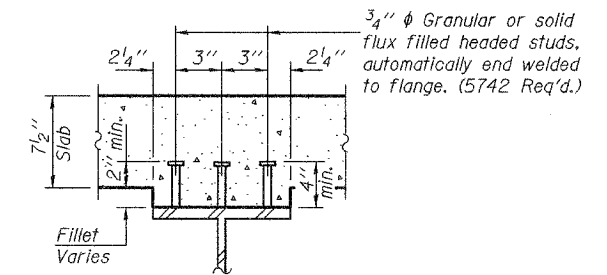
1" ϕ holes in beam
for m₂(E) bars
See sheet 11 of 29.



TYP. END OF BEAM ELEVATION



DIAPHRAGM D DETAIL
(Diaphragms required = 110)



SECTION A-A

*Use 1 5/16" x 1 1/2" slotted holes in top and bottom connection angles at east side Beam 4 only. Provide 5/16" plate washers for slotted holes. Bolts shall be finger-tightened prior to the deck pour for Stage II Construction, then tightened after completion of the deck pour for Stage II Construction.

DESIGNED	Curt M. Evoy
CHECKED	Tom L. Kurtenbach
DRAWN	h.t. duong
CHECKED	CME/TLK

November 17, 2005
EXAMINED *Thomas J. Danagala*
PASSED *Ralph E. Anderson*
ENGINEER OF BRIDGES AND STRUCTURES

STRUCTURAL STEEL
F.A.P. RTE. 314 - SEC. 108BR-1
MADISON COUNTY
STATION 263+51
STRUCTURE NO. 060-0334