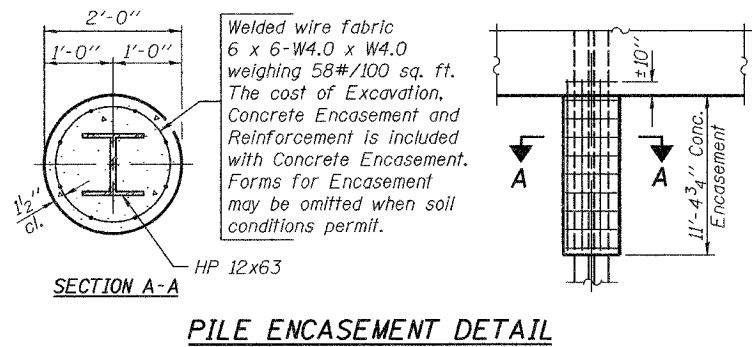


STATE OF ILLINOIS
DEPARTMENT OF TRANSPORTATION

ROUTE NO.	SECTION	COUNTY	STATION	SHEET	SHEET NO. 19 29 SHEETS
FAP 314	108BR-1	MADISON	123	47	
FED. ROAD DIST. NO. 7		ILLINOIS		FED. AID PROJECT-	

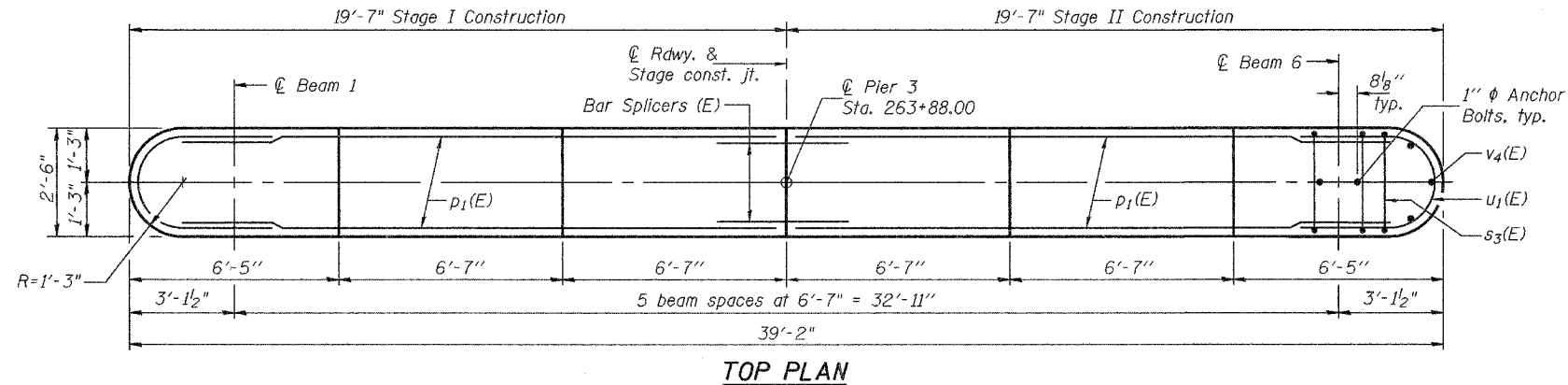
Contract #76454



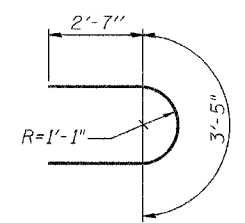
PILE ENCASEMENT DETAIL

PILE DATA

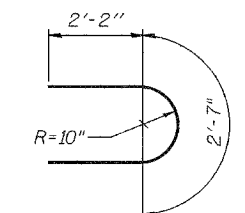
Type: Steel HP12x63 w/metal shoes
Nominal Required Bearing: 497 tons
Nominal Design Capacity: 331 tons
Est. Length: 102 feet
One Test Pile Required (Driven to 497 tons bearing (Refusal))



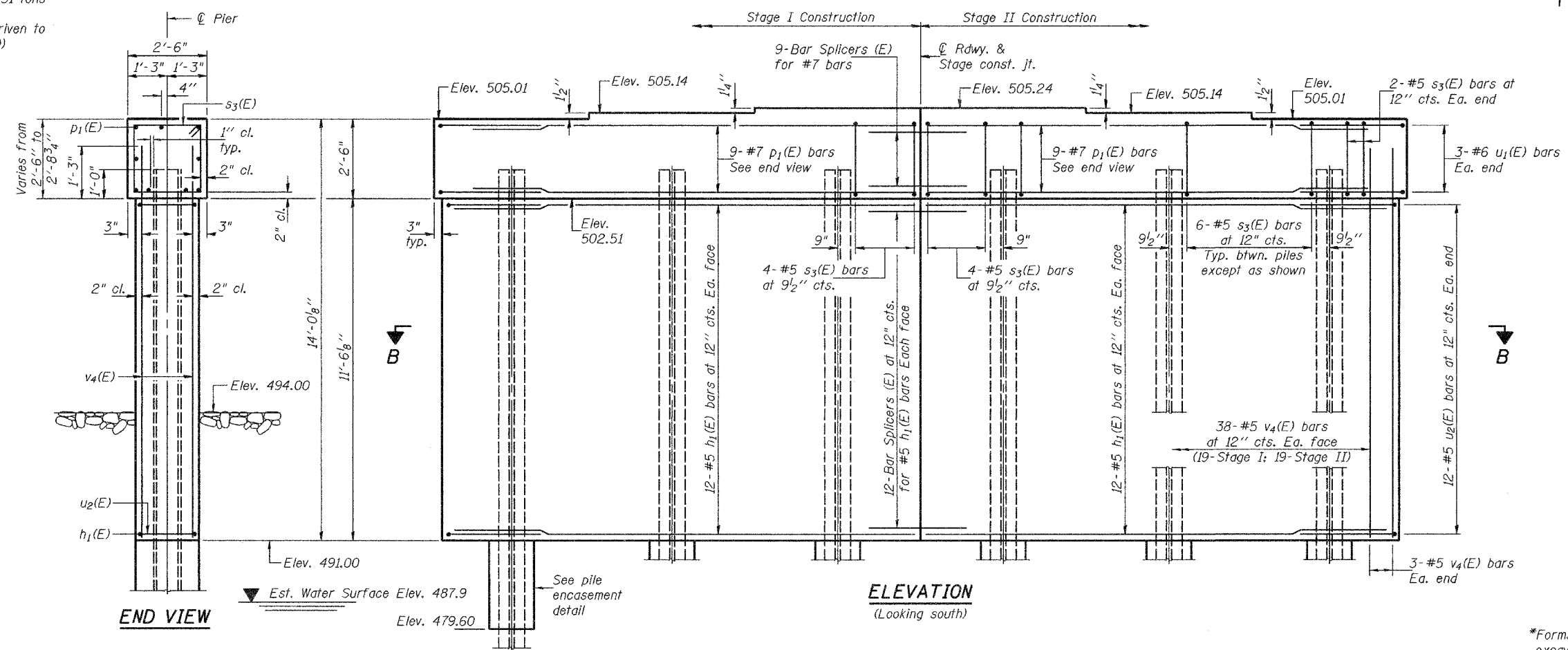
TOP PLAN



BAR u1(E)



BAR u2(E)



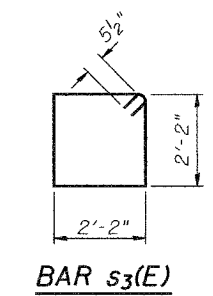
ELEVATION
(Looking south)

BILL OF MATERIAL

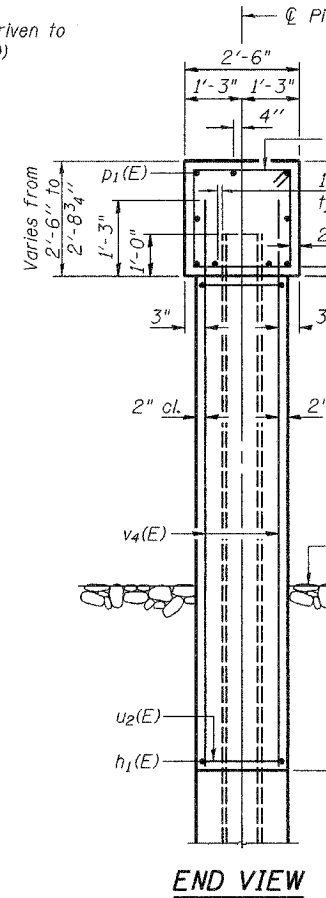
Bar	No.	Size	Length	Shape
h1(E)	48	#5	18'-2"	—
p1(E)	18	#7	18'-2"	—
s3(E)	36	#5	9'-7"	□
u1(E)	6	#6	8'-7"	U
u2(E)	24	#5	6'-11"	U
v4(E)	82	#5	12'-7"	—
Concrete Structures			Cu. Yd.	42.0
Reinforcement Bars, Epoxy Coated			Pound	3260
Structure Excavation			Cu. Yd.	28.4
Furnishing Steel Piles HP12x63			Foot	510
Driving Steel Piles			Foot	510
Test Pile Steel HP12x63			Each	1
Metal Shoes			Each	5
Underwater Structure Excavation Protection, Location 1			Each	1
Concrete Encasement			Cu. Yd.	7.7

Reinforcement Bars designated (E) shall be epoxy coated.

*Forms shall be placed below Elevation 491.00 after excavation for pier walls. Reinforcement and Concrete Encasement shall be poured underwater into forms. The cost of Concrete Encasement, Reinforcement, form excavation and furnishing and placing forms is included with Concrete Encasement. If a portion of the pier wall is under water, concrete shall be trimmed under water into forms according to Article 503.08 of the Standard Specifications. Concrete shall be trimmed to an Elevation 1'-0" above water level at the time of construction.

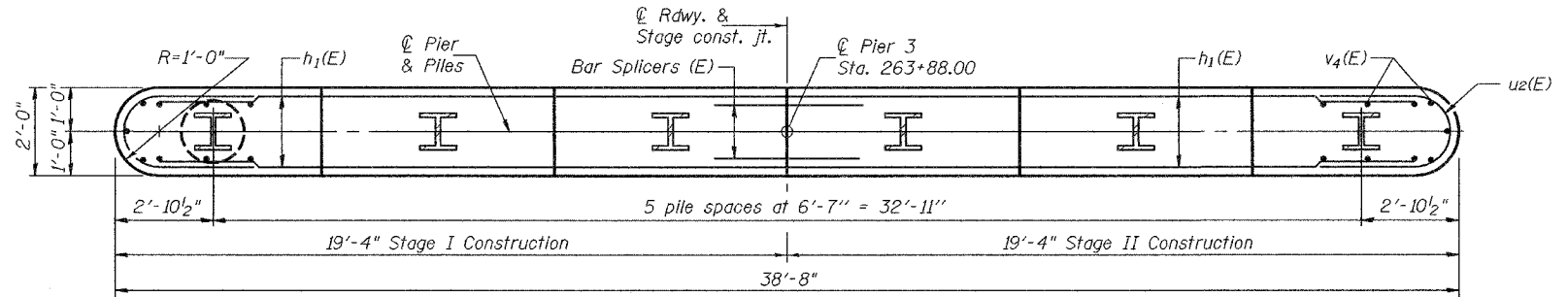


BAR s3(E)



END VIEW

Notes: Space reinforcement in cap to miss anchor bolts. Pour steps monolithically with cap. For bar splicer details, see sheet 21 of 29. For anchor bolt installation details, see sheet 14 of 29.



SECTION B-B

DESIGNED	Curt M. Evoy
CHECKED	Tom L. Kurtenbach
DRAWN	h.t. duong
CHECKED	CME/TLK

November 17, 2005
EXAMINED *Thomas J. Danagale*
PASSED *Ralph E. Anderson*

PIER 3
F.A.P. RTE. 314 - SEC. 108BR-1
MADISON COUNTY
STATION 263+51
STRUCTURE NO. 060-0334