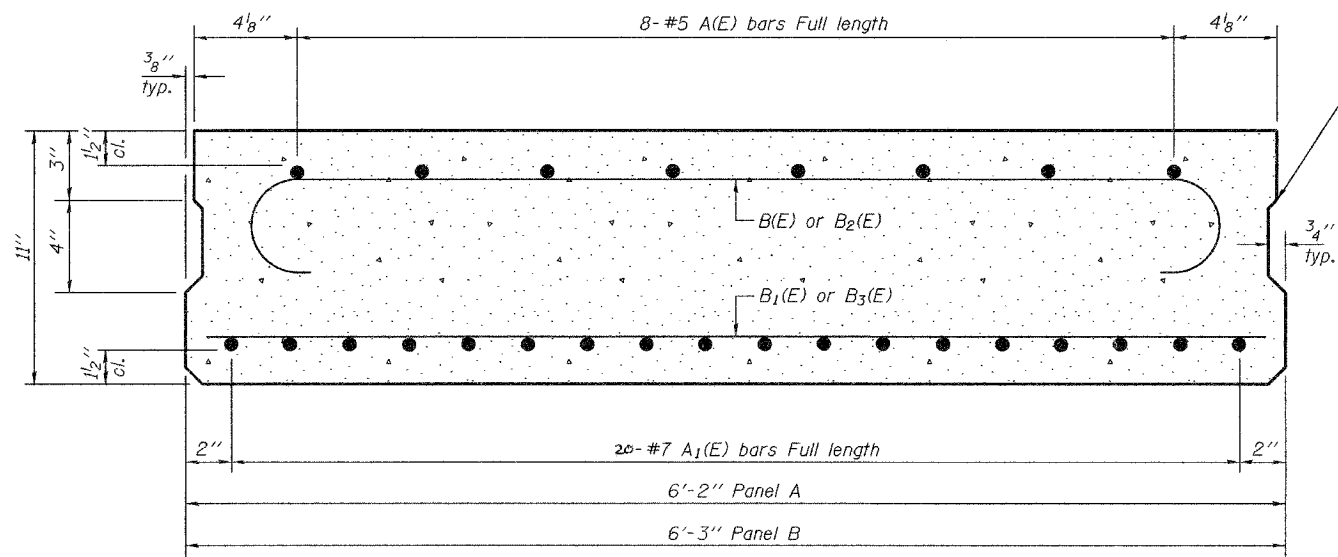


STATE OF ILLINOIS
DEPARTMENT OF TRANSPORTATION

ROUTE NO.	SECTION	COUNTY	TOTAL SHEETS	SHEET NO.	SHEET NO. 23 29 SHEETS
FAP 314	108BR-1	MADISON	123	51	
FED. ROAD DIST. NO. 7	ILLINOIS	FED. AID PROJECT			

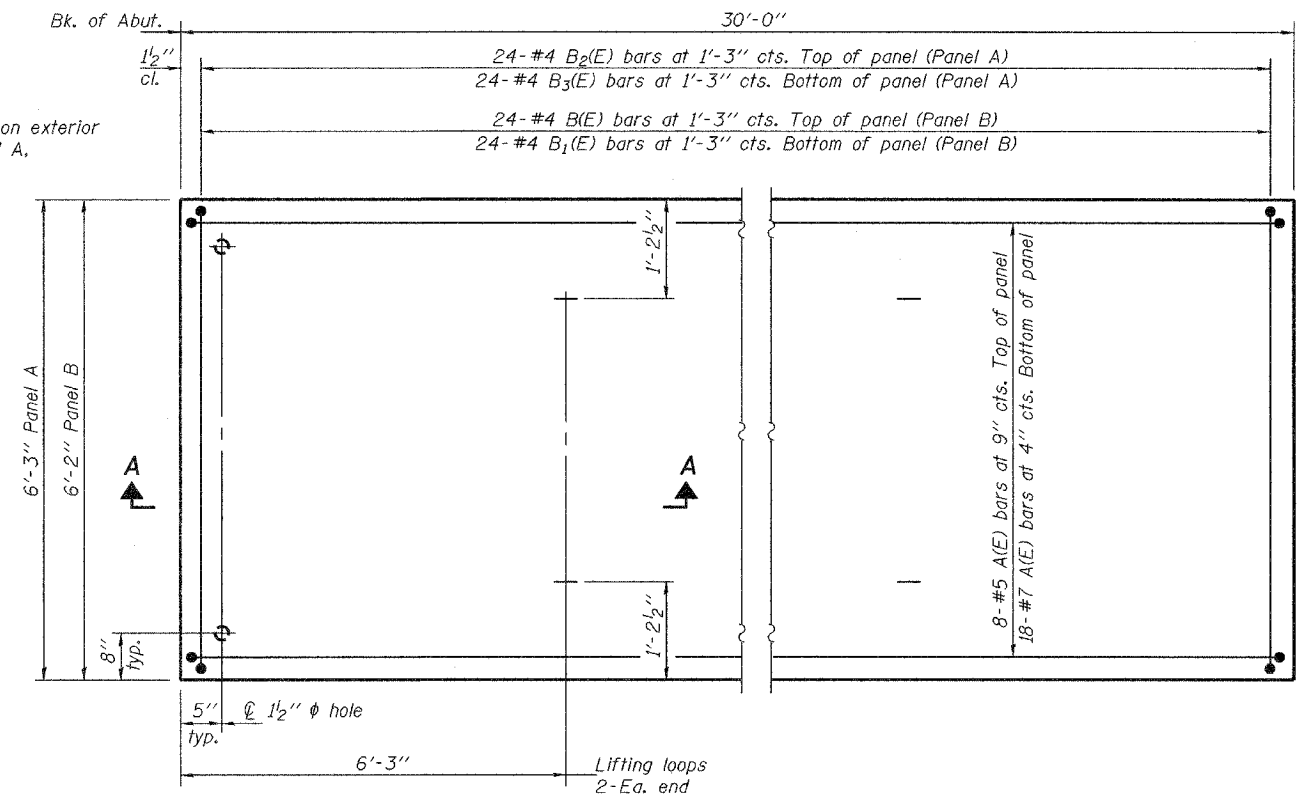
Contract #76454



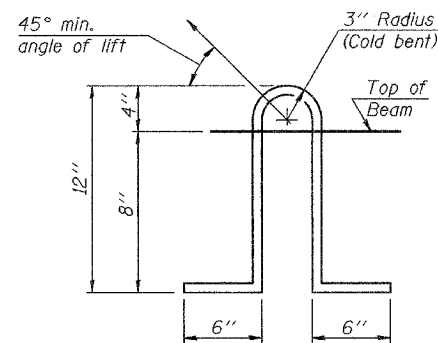
TYPICAL SECTION

	Panel width	Number required
Panel A	6'-2"	2
Panel B	6'-3"	4

Note: Omit keyway on exterior side of panel A.

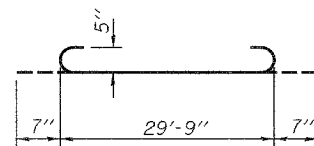


PLAN

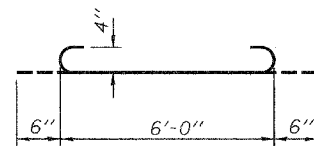


LIFTING LOOP DETAIL

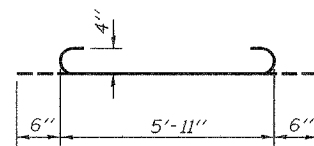
Lifting loops shall be 2-1/2" ϕ - 270 ksi strands as shown. Alternate approved lifting devices are also acceptable.



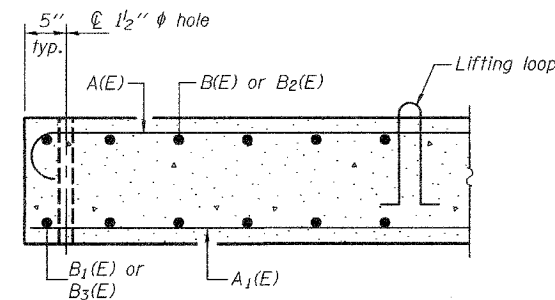
BAR A(E)



BAR B(E)



BAR B2(E)



SECTION A-A

Notes: Reinforcement bars designated (E) shall be epoxy coated. Keyway surfaces shall be cleaned to remove form oil or other bond breaking material prior to shipment of the beams. Cleaning shall be done by sandblasting the keyway areas between the top of beam and the bottom edge of the key.

*BAR LIST (PANEL A)

Bar	No.	Size	Length	Shape
A(E)	8	#5	30'-11"	C
A1(E)	20	#7	29'-9"	—
B2(E)	24	#4	6'-11"	C
B3(E)	24	#4	5'-11"	—

*For information only

*BAR LIST (PANEL B)

Bar	No.	Size	Length	Shape
A(E)	8	#5	30'-11"	C
A1(E)	20	#7	29'-9"	—
B(E)	24	#4	7'-0"	C
B1(E)	24	#4	6'-0"	—

*For information only

DESIGNED	Mark D. Shaffer
CHECKED	Curt M. Evoy
DRAWN	h.t. duong
CHECKED	MDS/CME

EXAMINED	Thomas J. Danagalek	November 17, 2005
PASSED	Ralph E. Anderson	

BRIDGE APPROACH PAVEMENT DETAILS
F.A.P. RTE. 314 - SEC. 108BR-1
MADISON COUNTY
STATION 263+51
STRUCTURE NO. 060-0334