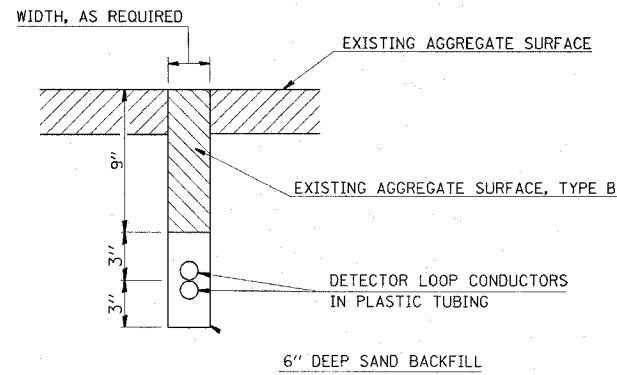


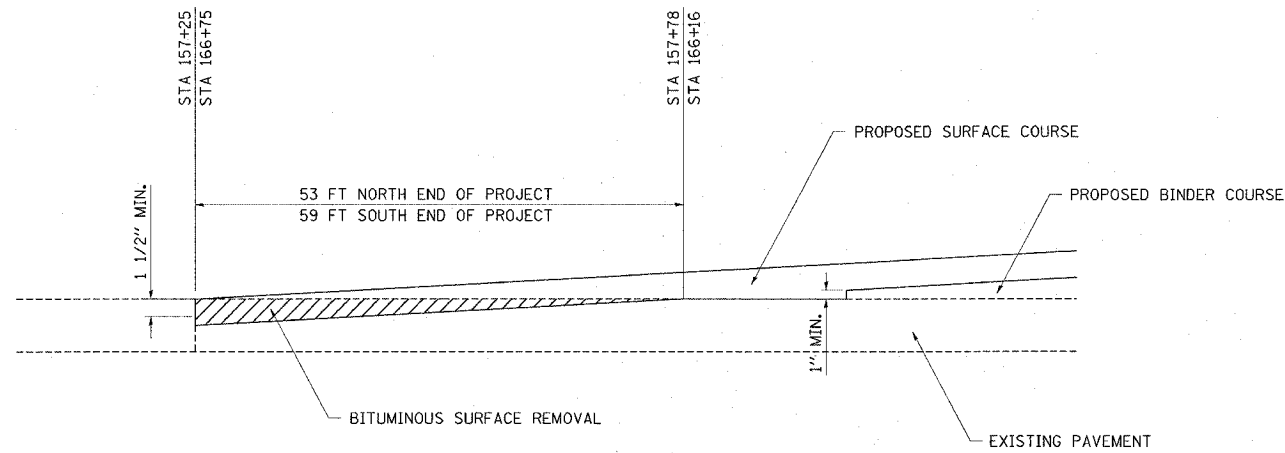
F.A.P. RTE.	SECTION	COUNTY	TOTAL SHEETS	SHEET NO.
314	111BR-1	MADISON	123	88
STA.		TO STA.		
FED. ROAD DIST. NO.		ILLINOIS	FED. AID PROJECT	



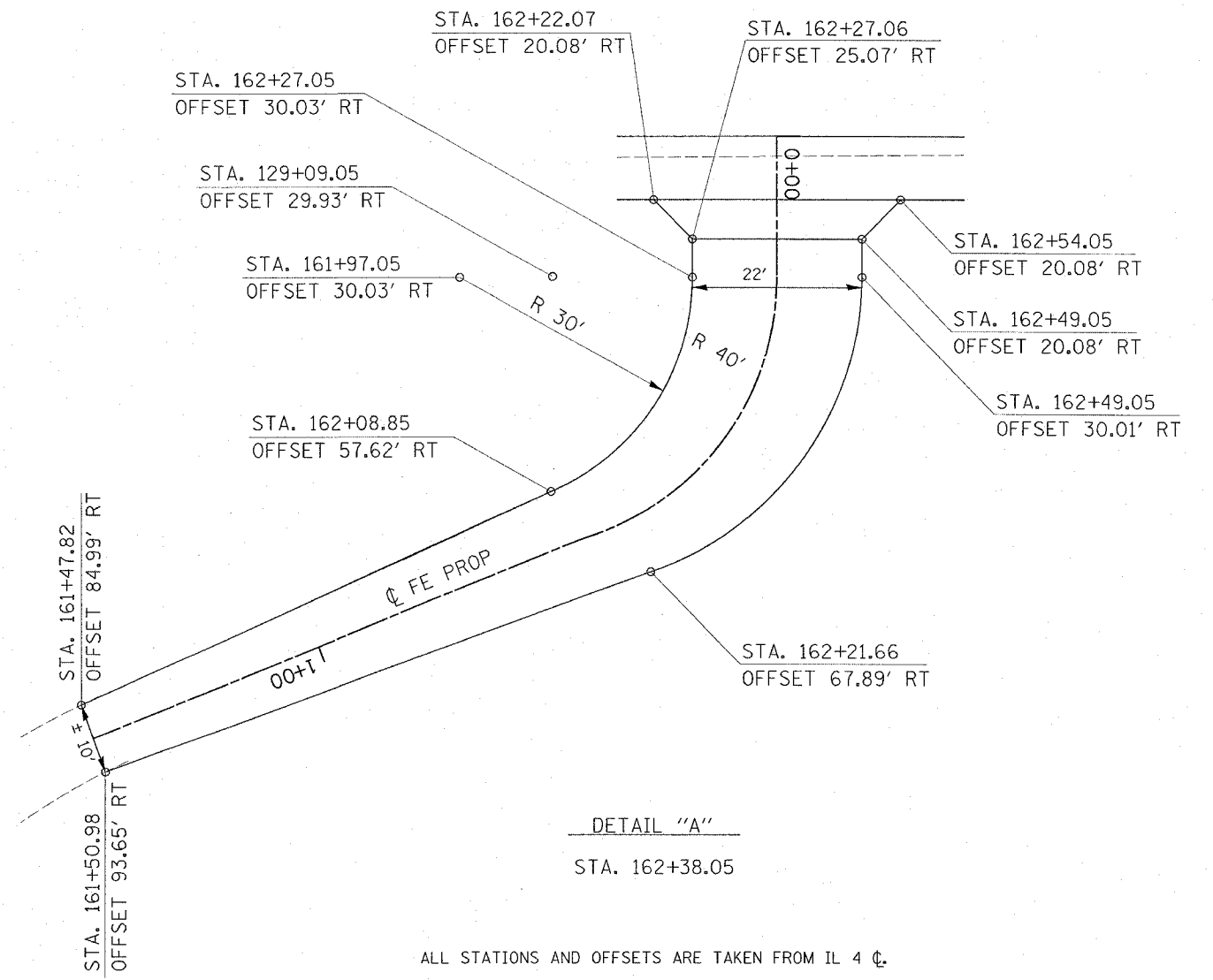
DETECTOR LOOP INSTALLED IN TRENCH

INSTALLATION IS TO BE DONE IN CONFORMANCE WITH THE REQUIREMENTS OF THE PLANS AND SECTION 886 OF THE STANDARD SPECIFICATIONS WITH THE FOLLOWING EXCEPTIONS:

1. SLOTS ARE TO BE TRENCHED INSTEAD OF SAWED.
2. THIS WORK SHALL NOT BE PAID FOR SEPARATELY BUT SHALL BE INCLUDED IN THE COST OF TEMPORARY BRIDGE TRAFFIC SIGNALS - 1 EACH.



BUTT JOINT DETAIL  
SN 060-0112(E) 0339(P)



DETAIL "A"  
STA. 162+38.05

ALL STATIONS AND OFFSETS ARE TAKEN FROM IL 4 C.  
FOR LOCATION OF DETAIL "A" SEE SHEET #84 OF 121.

REVISIONS	
NAME	DATE

ILLINOIS DEPARTMENT OF TRANSPORTATION  
**MISCELLANEOUS DETAILS**  
  
FAP ROUTE 314  
SECTION 111BR-1  
MADISON COUNTY  
SN 060-0112(E) 0339(P)