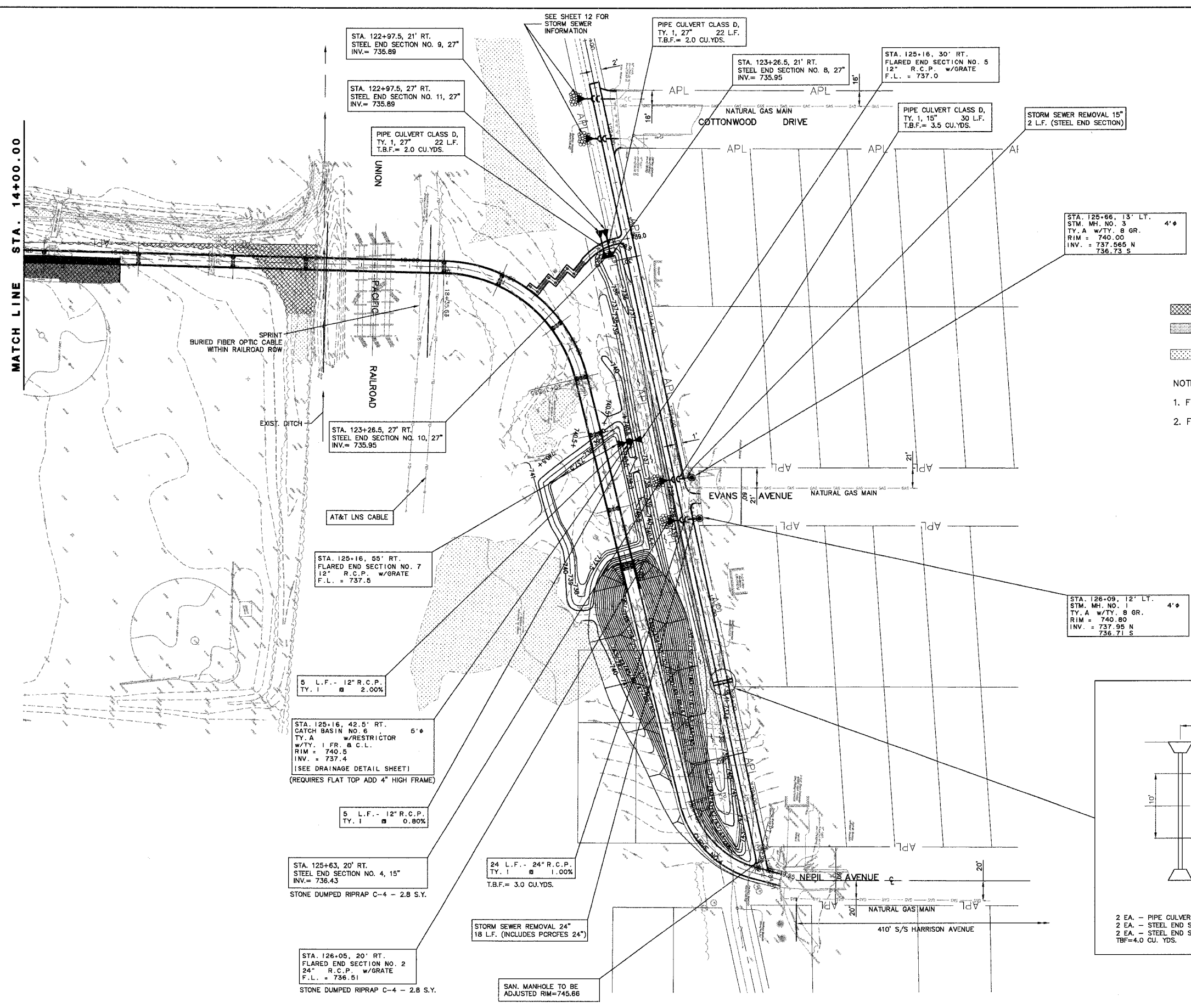


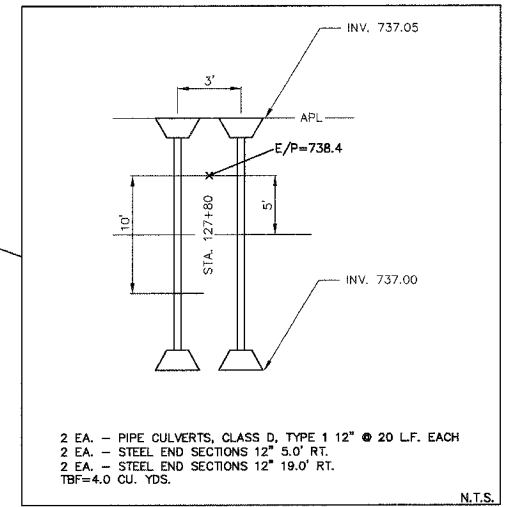
F.A. - RTE.	SECTION	COUNTY	TOTAL SHEETS	SHEET NO.
94-P4031-00-BR		DUPAGE	64	7

CONTRACT NO. 83560



- LEGEND**
- BITUMINOUS PATH REMOVAL
 - PROPOSED BITUMINOUS PATH (SIMILAR TO PEDESTRIAN PATH)
 - EXISTING WETLANDS

- NOTES:
- FOR FURTHER DETAIL SEE CROSS SECTIONS
 - FOR TREE REMOVAL SEE SHEET 5



2 EA. - PIPE CULVERTS, CLASS D, TYPE 1 12" Ø 20 L.F. EACH
 2 EA. - STEEL END SECTIONS 12" 5.0' RT.
 2 EA. - STEEL END SECTIONS 12" 19.0' RT.
 TBF=4.0 CU. YDS.

PREPARED FOR:
 WHEATON PARK DISTRICT
 666 S. MAIN STREET
 WHEATON, ILLINOIS 60187

PREPARED BY:
CEMCON, Ltd.
 Consulting Engineers, Land Surveyors & Planners
 2280 White Oak Circle, Suite 100
 Aurora, Illinois 60504-9675
 Ph: 630.862.2100 Fax: 630.862.2199
 E-Mail: cadd@cemcon.com Website: www.cemcon.com

REVISIONS					
NO.	DATE	DESCRIPTION	NO.	DATE	DESCRIPTION

DRAINAGE AND GRADING PLAN				
PEDESTRIAN/BICYCLE PATH BRIDGE OVER UNION PACIFIC RAILROAD				
FILE NAME: GRADE	DSGN. BY: JAC	JOB NO.: 551.007	FLD. BK./PG.: -----	SHEET NO. 7 of 54
DISC. NUMBER: 551007	DRN. BY: KMS	DATE: 07-05-05	SCALE: 1" = 50'	

TAB: GRADE 02
 XREF: OVER_50.DWG
 Copyright © 2003 Cemcon, Ltd. All rights reserved.