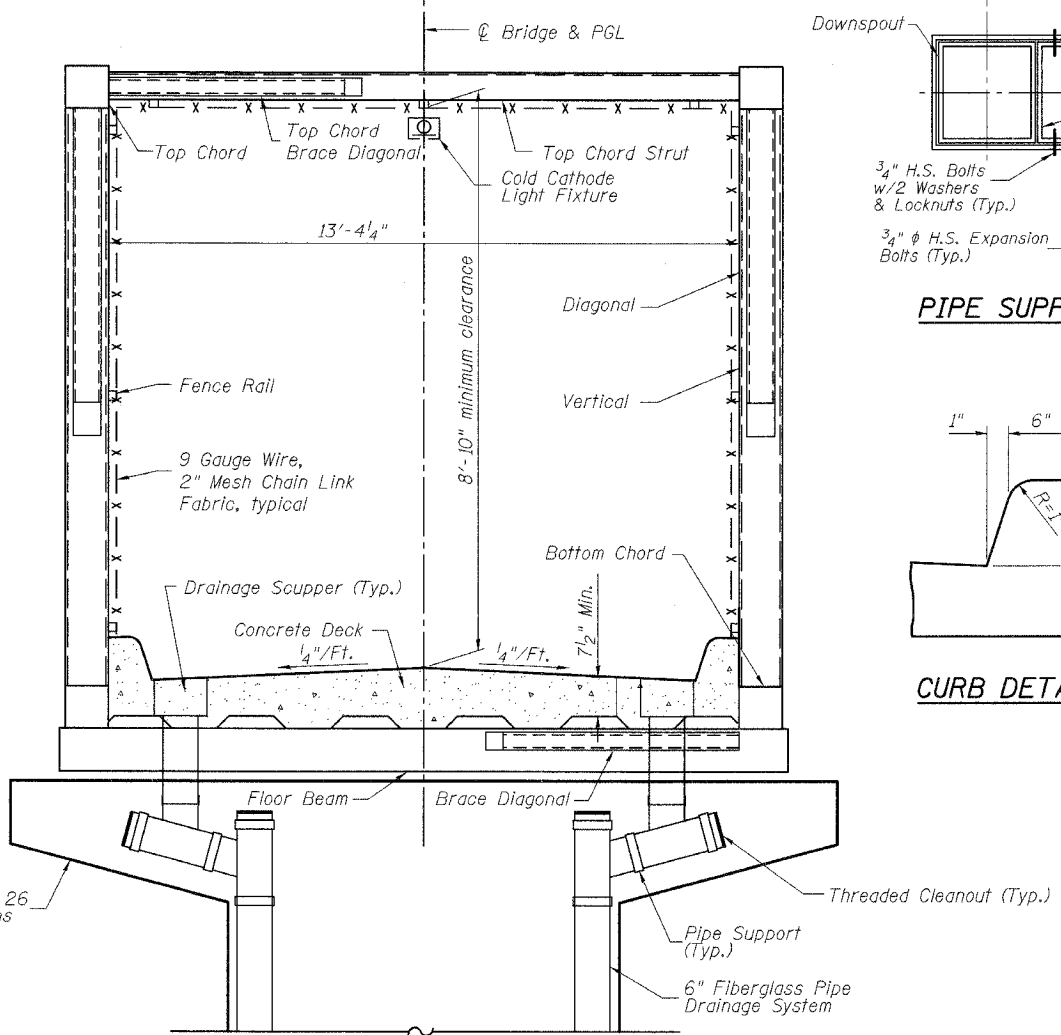


**ELEVATION**

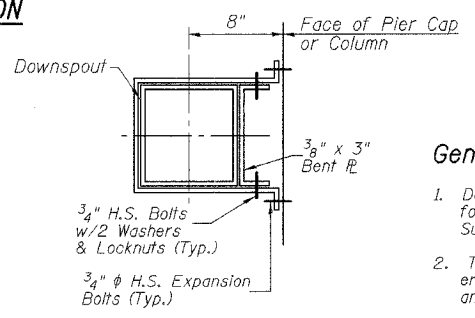
**TOP OF DECK ELEVATIONS AT C BRIDGE**

Location	Station	Theoretical Grade Elevation
CL. N. BRG. PIER 4	1693.366	771.051
	1703.366	771.296
	1713.366	771.509
	1723.366	771.688
	1733.366	771.835
	1743.366	771.948
	1753.366	772.029
	1763.366	772.077
	1773.366	772.091
	1783.366	772.073
CL. S. BRG. PIER 5	1793.366	772.021
	1803.366	771.937
	1813.366	771.819
	1823.366	771.669
	1833.366	771.486
CL. S. BRG. PIER 5	1835.005	771.452

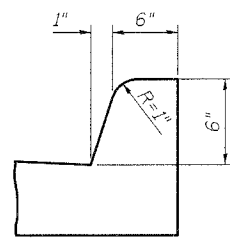
Note: Theoretical Grade Elevations shall be adjusted for deadload deflections for use in the field.



**BRIDGE CROSS SECTION**



**PIPE SUPPORT**



**CURB DETAIL**

**General Notes:**

- Design Specifications: AASHTO Standard Specifications for Highway Bridges 2002 and AASHTO Guide Specifications for Design of Pedestrian Bridges, August 1997. IDOT Guide Bridge Special Provision "Pedestrian Truss Superstructure" except as noted on plans.
- The work included under Pedestrian Truss Superstructure shall consist of furnishing, fabricating, transporting, erecting, painting as specified, steel decking, concrete, bearings, anchor bolts, wire mesh fence and attachments, and any other item of work to complete the work.
- Before fabrication, the Contractor shall submit structural calculations and shop drawings signed and stamped by an Illinois registered Structural Engineer to the Engineer for review and approval, as per Standard Specifications, Section 505.
- Bridge shall be fabricated from high strength, low alloy, atmospheric corrosion resistant "Weathering Steel". Structural steel shall conform to the requirements of AASHTO M270 Grade 50W.
- Any reference to "Standard" throughout these plans or "Special Provisions" shall be interpreted to be IDOT "Standard Specifications for Road and Bridge Construction", adopted January 1, 2002, and IDOT "Supplemental Specifications and Recurring Special Provisions", adopted January 1, 2003.
- All structural steel shall be cleaned as specified in the Special Provisions for "Surface Preparation and Painting Requirements for Weathering Steel."
- The open area at top corners between bridge cross section and bridge fence railing shall be covered with mesh chain link fabric at each end.
- For other notes, see Sheets S2 and S11

**Railroad Construction Notes:**

- For bridge construction any temporary at-grade construction crossing will not be permitted.
- Minimum temporary construction clearances of 21 ft. vertical above top of rail and 12 ft. horizontal clearance from centerline of nearest track shall be required.
- The contractor must submit a girder erection plan for the span over the tracks that will not interrupt train traffic.
- Work windows will be available between 9:00 AM. - 3:30 PM.. Construction activities cannot take precedence over train operations and all work within 25 ft. of any track must stop when a train passes. Work windows will also be available on weekends.
- Railroad flagman must be physically present before any work can commence within 25 ft. of the nearest track. For flagging requests call Alice at (312) 496-4738 at least 48 hours before date needed.

**BILL OF MATERIAL**

Item	Unit	Quantity
Pedestrian Truss Superstructure	Sq. Ft.	1,910
Drainage Scupper	Each	4
Drainage System	L. Sum	1

**Notes:**

- The Pay Item "Drainage System" shall include providing and installing 6" fiberglass pipe, L's, T's, Reducer Elbows, Cleanouts, Inserts, Anchors, Hangers, Clamps, Concrete Pads and all other items necessary to complete the underdeck drainage system.
- Fiberglass pipe shall conform to ASTM D2995 with short time rupture strength hoop tensile stress of 30,000 p.s.i. minimum.

INDEX OF BRIDGE SHEETS  
SHEET S18 OF S29  
Copyright © 2003 CEMCON, Ltd. All rights reserved.

PREPARED FOR:  
WHEATON PARK DISTRICT  
666 S. MAIN STREET  
WHEATON, ILLINOIS 60187



PREPARED BY:  
**CEMCON, Ltd.**  
Consulting Engineers, Land Surveyors & Planners  
2280 White Oak Circle, Suite 100  
Aurora, Illinois 60504-9675  
Ph: 630.862.2100 Fax: 630.862.2199  
E-Mail: cadd@cemcon.com Website: www.cemcon.com

REVISIONS					
NO.	DATE	DESCRIPTION	NO.	DATE	DESCRIPTION

**PEDESTRIAN TRUSS SUPERSTRUCTURE**

**PEDESTRIAN/BICYCLE PATH BRIDGE OVER UNION PACIFIC RAILROAD**

FILE NAME: PREFAB	DSGN. BY: MMH	JOB NO.: 551.007	FLD. BK./PG.: ----	SHEET NO.
DISC. NUMBER: 551007	DRN. BY: RDS	DATE: 12-21-04	SCALE: ----	31 of 54