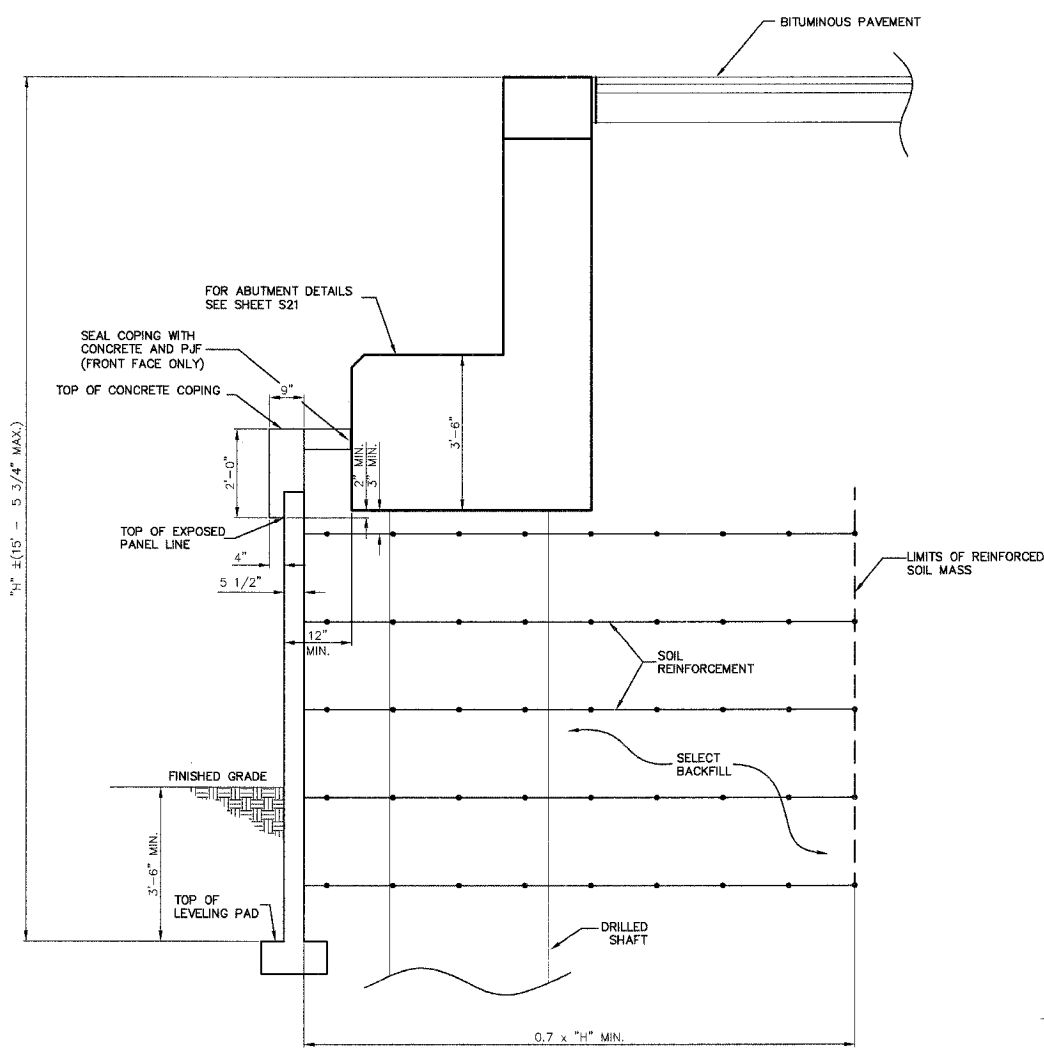
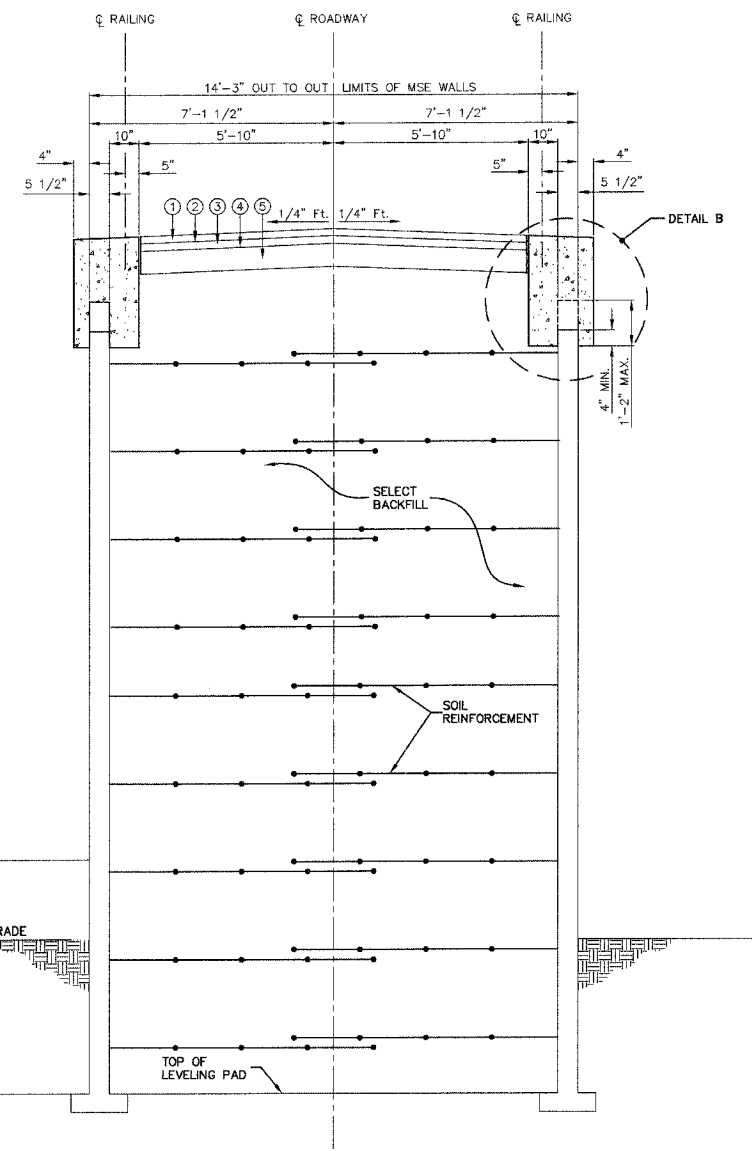


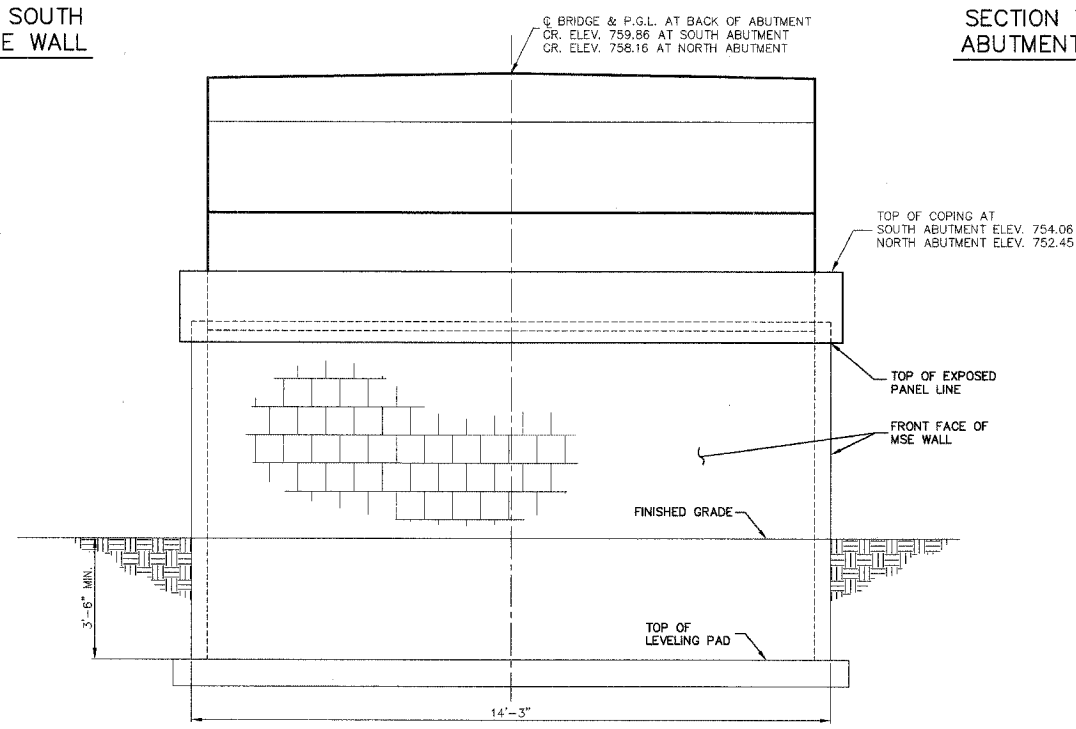
SECTION THROUGH SOUTH ABUTMENT AND MSE WALL



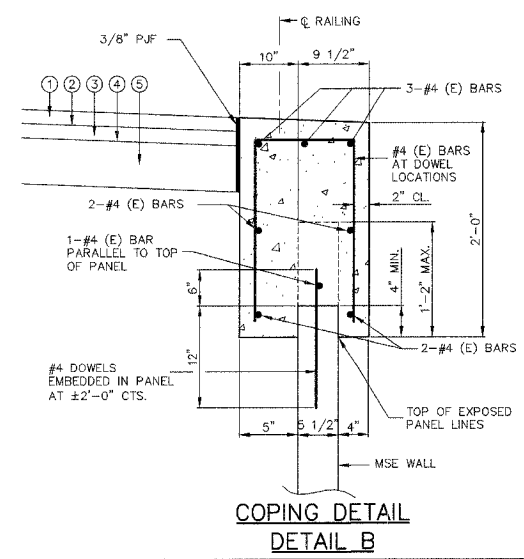
SECTION THROUGH NORTH ABUTMENT AND MSE WALL



SECTION THROUGH MSE WALLS



ELEVATION - MSE WALLS C & F



COPING DETAIL
DETAIL B

1. BITUMINOUS CONCRETE SURFACE COURSE, MIX C CL. 1, TYPE 2, 2" (AC-10)
2. BITUMINOUS MATERIAL (PRIME COAT)
3. BITUMINOUS CONCRETE BINDER COURSE, MIX B, TYPE 2, 2 1/2"
4. BITUMINOUS MATERIAL (PRIME COAT) (MC-30)
5. AGGREGATE BASE COURSE, TYPE B, 8"

INDEX OF BRIDGE SHEETS
SHEET S24 OF S29
DWG: WALLDETAILS
Copyright © 2003 Cemcon, Ltd. All rights reserved.

PREPARED FOR:
WHEATON PARK DISTRICT
666 S. MAIN STREET
WHEATON, ILLINOIS 60187



PREPARED BY:
CEMCON, Ltd.
Consulting Engineers, Land Surveyors & Planners
2280 White Oak Circle, Suite 100
Aurora, Illinois 60504-9875
Ph: 630.862.2100 Fax: 630.862.2199
E-Mail: cagd@cemcon.com Website: www.cemcon.com

NO.		DATE	DESCRIPTION	REVISIONS		NO.	DATE	DESCRIPTION

TYPICAL MSE WALL SECTIONS & DETAILS			
PEDESTRIAN/BICYCLE PATH BRIDGE OVER UNION PACIFIC RAILROAD			
FILE NAME: DETAILS	DSGN. BY: JAC/KK	JOB NO.: 551.007	FLD. BK./PG.: -----
DISC. NUMBER: 551007	DRN. BY: RDS	DATE: 04-26-04	SCALE: 1" = -----
			SHEET NO. 37 of 54