

FIP RTE.	SECTION	COUNTY	TOTAL SHEETS	SHEET NO.
1596	05-00029-00-LT	COOK	6	
STA. 0+00	TO	STA. 26+00		
FED. ROAD DIST. NO.	ILLINOIS	FED. AID PROJECT	M-8003 (531)	

CONTRACT NO. 83818

LEGEND

SYMBOL	DESCRIPTION
	LIGHTING POLE 47'-6" MOUNTING HEIGHT WITH ONE 400W, HPS LUMINAIRES MOUNTED ON 15'-0" MAST ARM 240V BALLASTS, TYPE 3 DISTRIBUTION, GROUND MOUNTED.
	EXISTING LIGHTING STANDARD X = EXISTING TO REMAIN XR = EXISTING TO BE REMOVED XRR = EXISTING RELOCATED TO NEW POSITION
	COMED POWER POLE (EXISTING)
(CIAB3)	LETTER IN PARENTHESIS ADJACENT TO FIXTURE INDICATES LIGHTING CONTROLLER (CI), CIRCUITS (AB) AND POLE NUMBER (3).
	JUNCTION BOX, TYPE AND SIZE INDICATED.
	UNIT DUCT 2 - 1/C #4 WITH 1/C #8 GRD. IN 1" DIA. UNIT DUCT IN TRENCH OR PLOWED.
	CONDUIT IN TRENCH OR PUSHED
	LIGHTING CONTROLLER PEDESTAL MOUNT
STA. 5+07	STATION OF LIGHT STANDARD AND OFFSETS
CI AB I	POLE NUMBER (TYP.) CIRCUIT NUMBER DESIGNATION LIGHTING CONTROLLER NUMBER
	GROUND ROD, 3/4" DIA. x 10'-0"
H.W.R.C.	HEAVY WALL RIGID CONDUIT

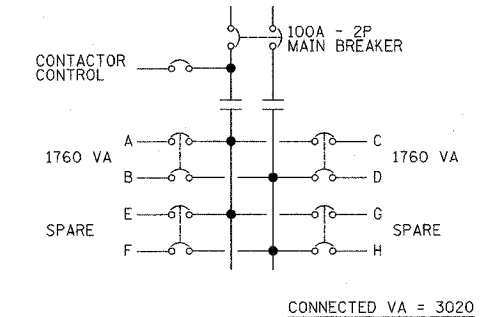
GENERAL NOTES:

- WHERE UNIT DUCT PASSES UNDER ROADWAY OR DRIVEWAY PROVIDE A RIGID GALVANIZED CONDUIT SLEEVE, SIZE AS NOTED ON THE DRAWINGS. EXTEND SLEEVES A MINIMUM OF 3'-0" BEYOND EDGE OF PAVEMENT/ROADWAY SLEEVES SHALL BE INSTALLED TO MAINTAIN A MINIMUM 12" CLEARANCE BELOW UNDERDRAINS (APPROX. 5'-0" BELOW GRADE).
- LIGHT POLE OFFSETS SHALL BE 2'-0" AS MEASURED FROM EDGE OF PAVEMENT.
- PRIOR TO THE INSTALLATION OF THE NEW CABLE DUCT, CONDUITS, CONTROLLER AND LIGHT STANDARD FOUNDATIONS, THE CONTRACTOR SHALL DETERMINE THE EXACT LOCATION OF EXISTING CONDUITS, CABLES AND UNDERGROUND UTILITIES. THE CONTRACTOR SHALL CALL J.U.L.I.E. TO AID IN THIS TASK.
- ALL NEW CABLE DUCT, CONDUIT AND APPURTENANCES ARE ILLUSTRATED DIAGRAMMATICALLY. THE ACTUAL LOCATION IN THE FIELD SHALL MEET THE APPROVAL OF THE ENGINEER.
- ALL SINGLE RUNS OF CABLE DUCT MAY BE PLOWED IN. MULTI-CABLE DUCT RUNS ARE TO BE INSTALLED IN COMMON TRENCH AND BACKFILLED.
- ALL PITS USED FOR INSTALLING PUSHED JACKED STEEL CONDUIT UNDER EXISTING ROADWAYS SHALL BE LOCATED FIVE FEET MINIMUM CLEAR FROM THE EDGE OF THE SHOULDER. LOCATIONS OF THE CONDUIT CROSSINGS SHOWN ARE APPROXIMATE. THE PITS MUST BE ADEQUATELY GUARDED TO PROTECT THE MOTORISTS AND PEDESTRIANS. THE CONTRACTOR MUST SUBMIT PLANS FOR THE LOCATIONS AND SIZE OF THE PITS AND MAINTENANCE AND PROTECTION OF TRAFFIC AT THE SITE FOR THE APPROVAL OF THE ENGINEER BEFORE EXCAVATING FOR ANY PITS.

SUMMARY OF QUANTITIES			
ITEM NO.	ITEM DESCRIPTION	UNITS	TOTAL QUANTITY
70101700	TRAFFIC CONTROL AND PROTECTION	L SUM	1
67100100	MOBILIZATION	L SUM	1
80300100	LOCATING UNDERGROUND CABLE	FOOT	2400
80400100	ELECTRIC SERVICE INSTALLATION	EACH	1
80400200	ELECTRIC UTILITY SERVICE CONNECTION	L SUM	1
80600200	GROUNDING ELECTRODE BG	EACH	9
81000700	CONDUIT IN TRENCH, 2 1/2" DIA.	FOOT	250
81500200	TR & BK FIL F ELECT WK	FOOT	1,900
81600410	UD 2#4XLP 1#4BG 1P	FOOT	1,650
81700375	EC C EPR RHW 3C #4#6G	FOOT	150
82102400	LUM SV HOR MT 400W	EACH	8
82500530	LT CONT CBRC 100-240	EACH	1
83050810	LT P A 47.5MH 15MA	EACH	8
83800505	BKWY DEV COU AL SKIRT	EACH	8
83600200	LIGHT POLE FDN 24D	FOOT	56
83600215	LIGHT POLE FDN 24D OS	FOOT	8
* 21101610	TOP SOIL, FURNISH & PLACE, 3"	SQ. YD.	350
* 25200100	SODDING	SQ. YD.	350

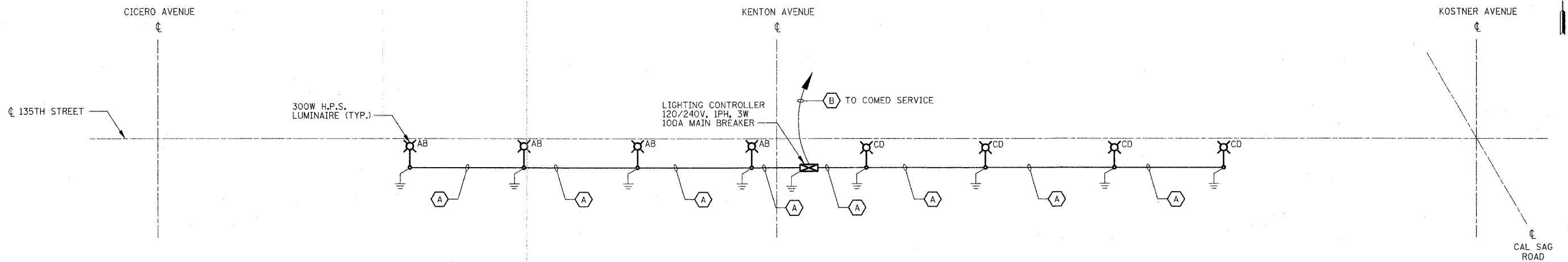
* SPECIFICITY ITEMS

FIXTURE SCHEDULE			
TAG	DESCRIPTION	VOLTAGE	CATALOG NO.
C1XXX	400W H.P.S. LUMINAIRE WITH CUTOFF OPTICS	240V - 1Ø	GE# MDCL40SOA22FMC31 AEL# 32540SCAMT2R3FG



LIGHTING CONTROLLER C1
(SEE DWG. E-3)

FEEDER SCHEDULE	
TAG	DESCRIPTION
A	2#4 & 1#4 GRD. - 1" UNIT DUCT
B	3#4 & 1#6 GRD. - 2 1/2" C



LIGHTING WIRING DIAGRAM

NOT TO SCALE

NOTE: CONTRACTOR SHALL OBTAIN AND VERIFY ALL DIMENSIONS AND CONDITIONS AT JOB SITE AND BE FULLY RESPONSIBLE FOR SAME.

REVISIONS			REVISIONS			DRAWN	PREPARED	SEAL	PROJECT NO.
NO.	DATE	REMARKS	NO.	DATE	REMARKS				
						TRACED	APPROVED	 KNIGHT Engineers & Architects 221 North LaSalle Street Suite 300 Chicago, IL 60601-1211 Phone: (312) 577-3300	CRESTWOOD - 135th STREET LIGHTING
						CHECKED	APPROVED		SYMBOL LIST, GENERAL NOTES, SCHEDULES AND WIRING DIAGRAM
									DATE
									SHEET NO.
									E-1