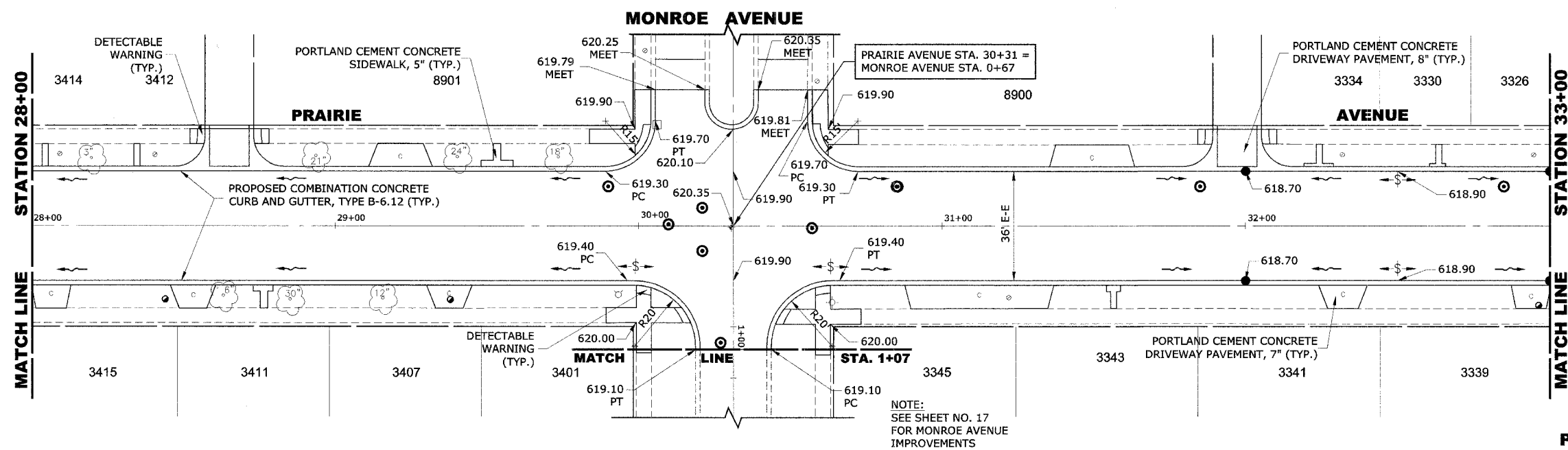
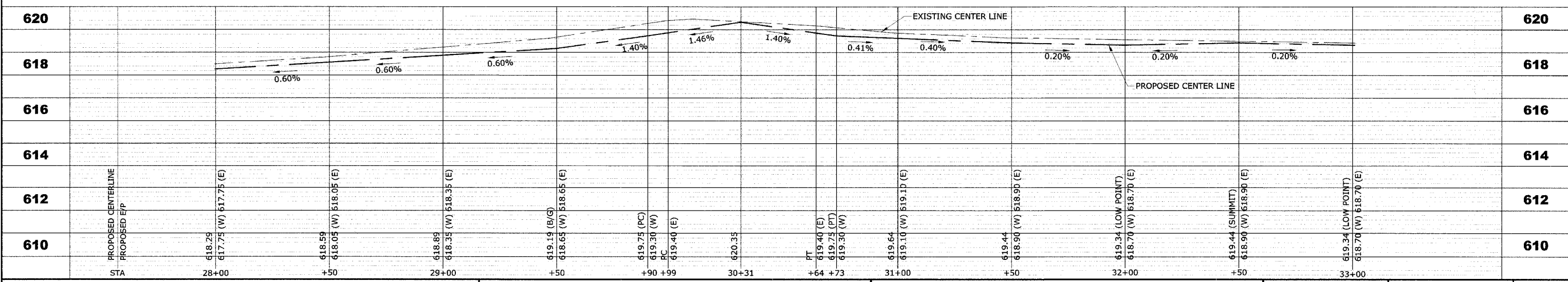


EXISTING TOPOGRAPHY



PROPOSED IMPROVEMENTS



HANCOCK ENGINEERING

- Civil Engineers
- Municipal Consultants
- Established 1911

9933 Roosevelt Road
Westchester, Illinois 60154-2780
Phone: 708/865-0300
Fax: 708/865-1212

**PRAIRIE AVENUE IMPROVEMENTS
PHASE I
VILLAGE OF BROOKFIELD, ILLINOIS**

**EXISTING AND PROPOSED
PAVING PLAN AND PROFILE**

SCALE: H: 1"=20', V: 1"=2'

DRAWN BY: MK/LEV

BOOK NO.: #1475, #1504

DATE: 11-04-05

E.H.E. NO.: 125-04-26301

SHEET **10** OF **49**