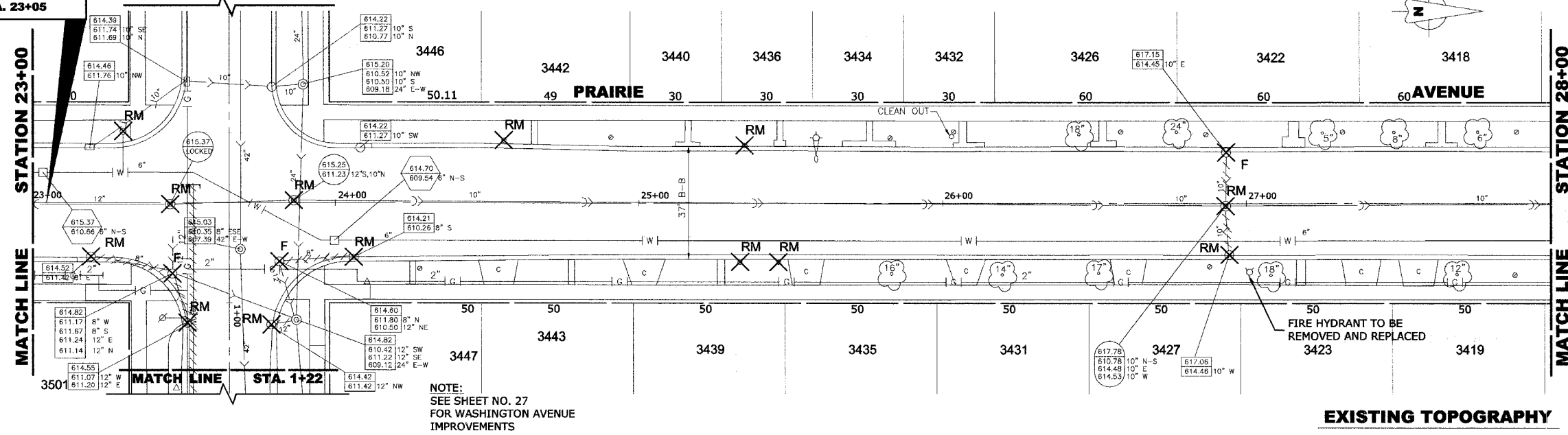


PRAIRIE AVENUE
BEGIN IMPROVEMENT
STA. 23+05

WASHINGTON AVENUE

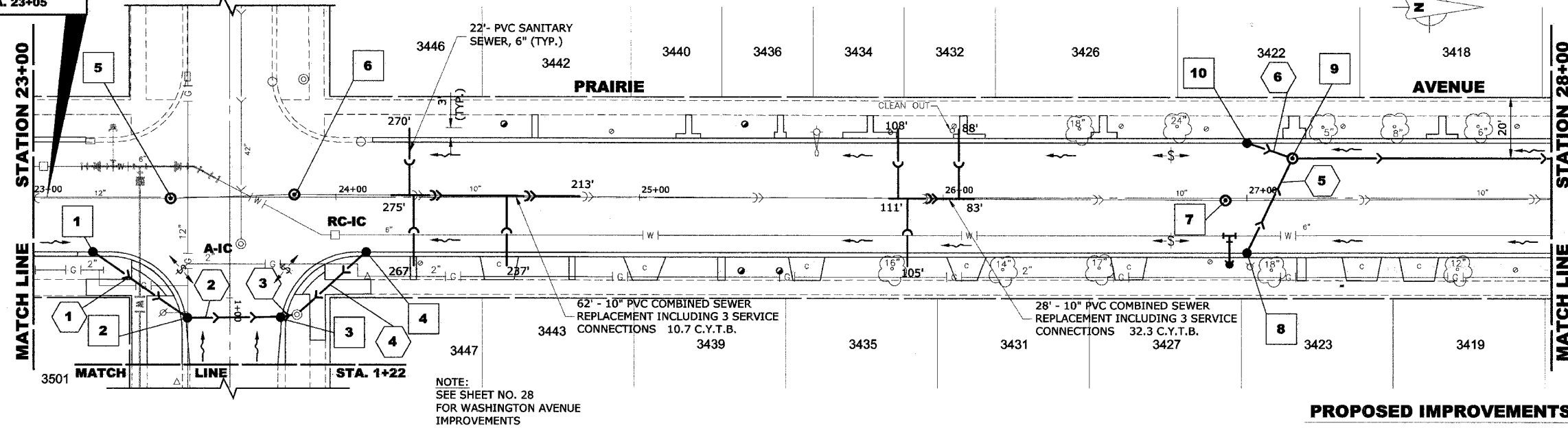
ROUTE NO.	SECTION	COUNTY	TOTAL SHEETS	SHEET NO.
FAU 2732	**	COOK	49	21
ILLINOIS PROJECT		M- 8003(371)		
VILLAGE SECTION		00-00115-00-WR		
CONTRACT NO. 83823				



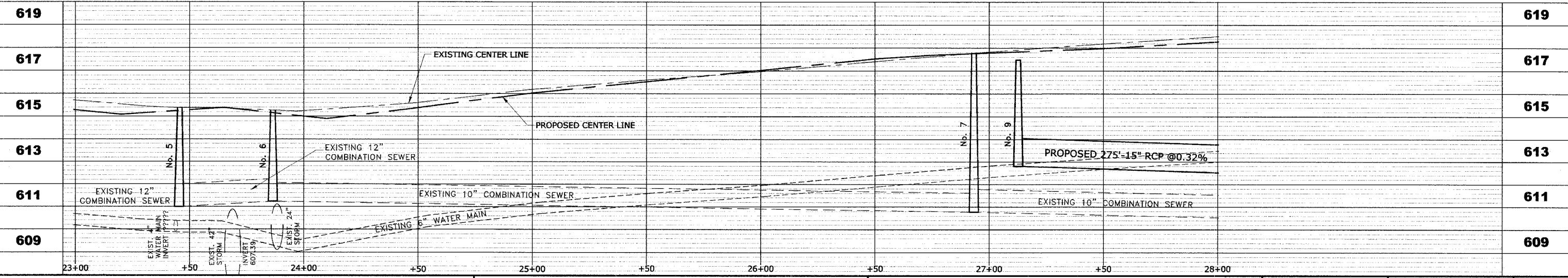
STRUC. NO.	STA.	OFFSET	TYPE	RIM ELEV.	INV. ELEV.
1	23+20	18' RT.	R.D. CATCH BASIN, 4' DIA. TYPE 1 FRAME, OPEN LID	614.45	612.20
2	23+51	40' RT.	R.D. CATCH BASIN, 4' DIA. TYPE 1 FRAME, OPEN LID	614.50	611.80 SW 611.70 N
3	23+80	40' RT.	R.D. CATCH BASIN, 4' DIA. TYPE 1 FRAME, OPEN LID	614.50	611.40 S 611.30 N
4	24+10	18' RT.	R.D. CATCH BASIN, 4' DIA. TYPE 1 FRAME, OPEN LID	614.25	610.75
5	23+45	.5' RT.	R.D. COMBINED SEWER MANHOLE, 4' DIA., TYPE 1 FRAME, CLOSED LID	615.25	VERIFY
6	23+86	1' LT.	R.D. COMBINED SEWER MANHOLE, 4' DIA., TYPE 1 FRAME, CLOSED LID	615.15	611.23
7	26+93	1' RT.	R.D. COMBINED SEWER MANHOLE, 4' DIA., TYPE 1 FRAME, CLOSED LID	617.75	610.78
8	27+00	18' RT.	R.D. CATCH BASIN, 4' DIA. TYPE 1 FRAME, OPEN LID	617.15	613.15
9	27+15	13' LT.	R.D. MANHOLE, 4' DIA., TYPE 1 FRAME, CLOSED LID	617.50	613.00 SW 612.80 SE 612.80 N
10	27+00	18' LT.	R.D. CATCH BASIN, 4' DIA. TYPE 1 FRAME, OPEN LID	617.15	613.15

PRAIRIE AVENUE
BEGIN IMPROVEMENT
STA. 23+05

WASHINGTON AVENUE



PIPE NO.	LENGTH	DIA.	TYPE	SLOPE	C.Y.T.B.
1	40'	10"	SS,PVC, SDR 26	1.00%	2.3
2	30'	12"	SS, DIP, CLASS 52	1.00%	0.6
3	8'	12"	SS,PVC, SDR 26	1.00%	1.3
4	30'	10"	SS,PVC, SDR 26	1.00%	5.5
5	35'	10"	SS,PVC, SDR 26	1.00%	2.1
6	15'	10"	SS,PVC, SDR 26	1.00%	1.0



HANCOCK ENGINEERING
Civil Engineers
Municipal Consultants
Established 1911
9933 Roosevelt Road
Westchester, Illinois 60154-2780
Phone: 708/865-0300
Fax: 708/865-1212

**PRAIRIE AVENUE IMPROVEMENTS
PHASE I
VILLAGE OF BROOKFIELD, ILLINOIS**

**EXISTING AND PROPOSED
DRAINAGE AND UTILITIES
PLAN AND PROFILE**

SCALE: H: 1"=20', V: 1"=2'	SHEET 21 / 49
DRAWN BY: MK/LEV	
BOOK NO.: #1475, #1504	
DATE: 11-04-05	
REVISION:	E.H.E. NO.: 125-04-26301