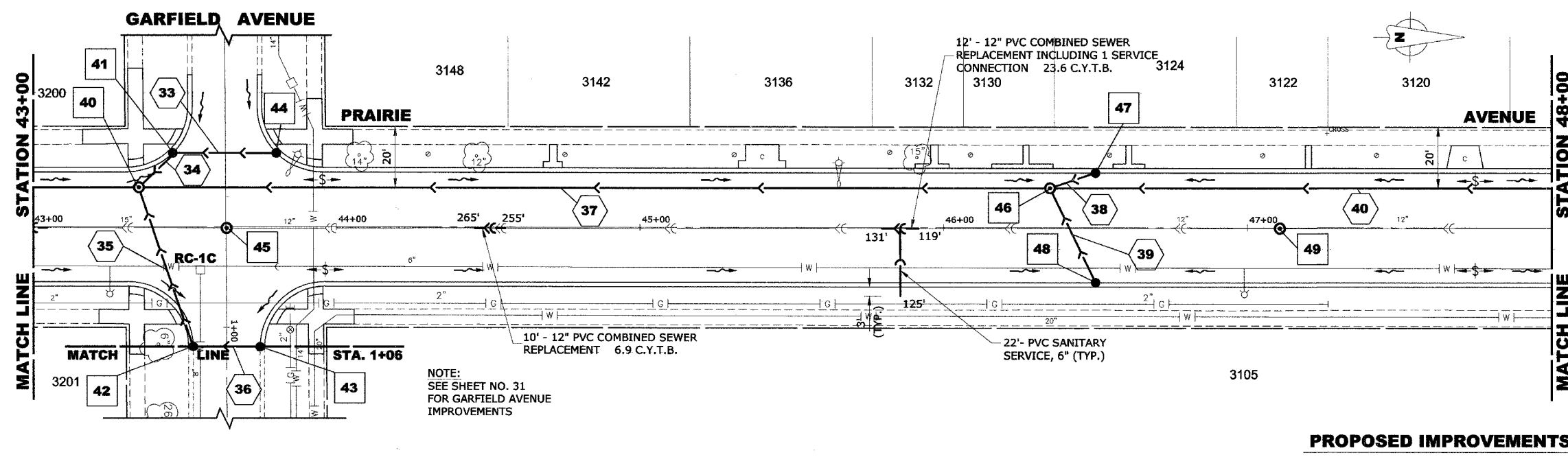


STRUC. NO.	STA.	OFFSET	TYPE	RIM ELEV.	INV. ELEV.
40	43+35	13' LT.	R.D. MANHOLE, 5' DIA., TYPE 1 FRAME, CLOSED LID	618.40	614.00 NW 614.00 NE 612.73 N-S
41	43+46	24' LT.	R.D. CATCH BASIN, 4' DIA. TYPE 1 FRAME, OPEN LID	617.90	614.25 N 614.15 SE
42	43+43	21' RT.	R.D. CATCH BASIN, 4' DIA. TYPE 1 FRAME, OPEN LID	617.85	614.65 N 614.55 SW
43	43+83	21' RT.	R.D. CATCH BASIN, 4' DIA. TYPE 1 FRAME, OPEN LID	617.85	614.85 S
44	43+80	24' LT.	R.D. CATCH BASIN, 4' DIA. TYPE 1 FRAME, OPEN LID	617.90	614.60 S
45	43+64	0	R.D. COMBINED SEWER MANHOLE, 4' DIA., TYPE 1 FRAME, CLOSED LID	618.74	610.51 N-S
46	46+35	13' LT.	R.D. MANHOLE, 5' DIA., TYPE 1 FRAME, CLOSED LID	617.50	614.30 NW, NE 613.27 N-S
47	46+50	18' LT.	R.D. CATCH BASIN, 4' DIA. TYPE 1 FRAME, OPEN LID	617.15	614.45 SE
48	46+50	18' RT.	R.D. CATCH BASIN, 4' DIA. TYPE 1 FRAME, OPEN LID	617.15	614.65 SW
49	47+70	0	R.D. COMBINED SEWER MANHOLE, 4' DIA., TYPE 1 FRAME, CLOSED LID	617.95	611.31 N-S

EXISTING TOPOGRAPHY



PIPE NO.	LENGTH	DIA.	TYPE	SLOPE	C.Y.T.B.
33	35'	10"	SS, DIP, CLASS 52	1.00%	2.7
34	15'	12"	SS, DIP, CLASS 52	1.00%	1.9
35	55'	12"	SS, DIP, CLASS 52	1.00%	6.5
36	20'	10"	SS, DIP, CLASS 52	1.00%	1.2
37	300'	24"	SS, TY-2, RCCP, CL-III	0.18%	87.5
38	15'	10"	SS, DIP, CLASS 52	1.00%	0.5
39	35'	10"	SS, DIP, CLASS 52	1.00%	0.9
40	275'	15"	SS, TY-2, RCCP, CL-III	0.32%	37.2

PROPOSED IMPROVEMENTS

