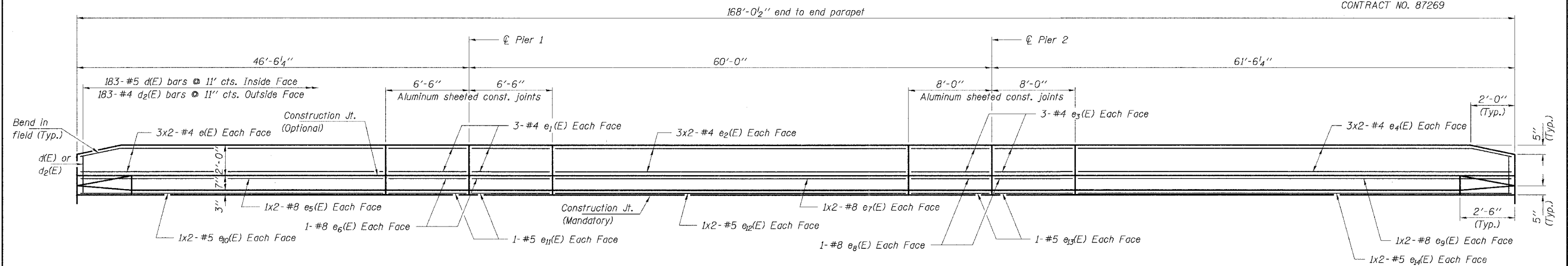


CONTRACT NO. 87269



INSIDE ELEVATION OF PARAPET

MIN. BAR LAPS

- #4 bars = 1'-8"
- #5 bars = 2'-2"
- #8 bars = 4'-6"

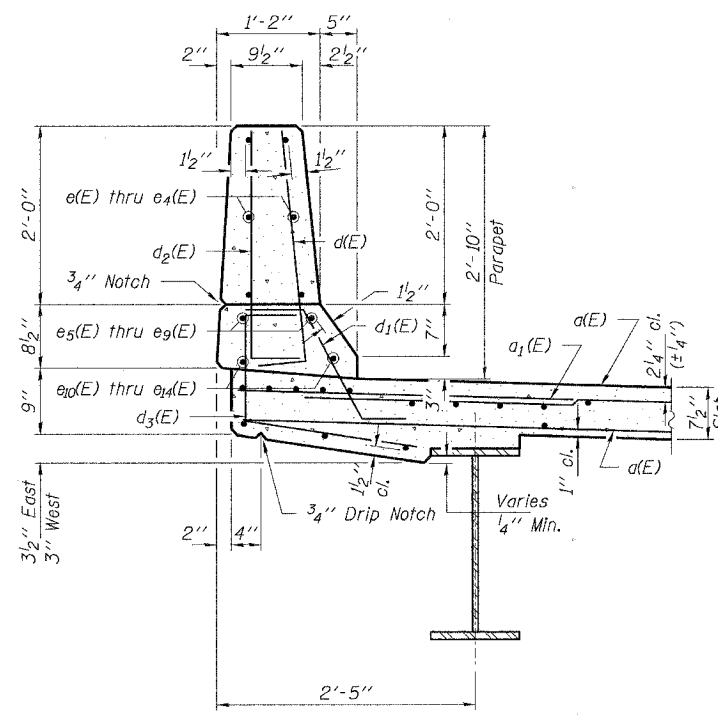
SUPERSTRUCTURE BILL OF MATERIAL

Bar	No.	Size	Length	Shape
d(E)	692	#5	42'-0"	—
d1(E)	404	#6	4'-0"	—
d2(E)	8	#5	27'-6"	—
d3(E)	40	#5	2'-0"	—
b(E)	329	#5	25'-10"	—
b1(E)	246	#5	29'-10"	—
b2(E)	45	#6	16'-4"	—
b3(E)	45	#6	20'-1"	—
d(E)	366	#5	3'-0"	—
d1(E)	350	#5	2'-5"	—
d2(E)	366	#4	3'-0"	—
d3(E)	366	#4	3'-2"	—
d4(E)	16	#5	2'-7"	—
e(E)	24	#4	20'-9"	—
e1(E)	24	#4	6'-3"	—
e2(E)	24	#4	23'-6"	—
e3(E)	24	#4	7'-9"	—
e4(E)	24	#4	27'-6"	—
e5(E)	8	#8	22'-3"	—
e6(E)	8	#8	6'-3"	—
e7(E)	8	#8	24'-11"	—
e8(E)	8	#8	7'-9"	—
e9(E)	8	#8	28'-11"	—
e10(E)	8	#5	21'-0"	—
e11(E)	8	#5	6'-3"	—
e12(E)	8	#5	23'-9"	—
e13(E)	8	#5	7'-9"	—
e14(E)	8	#5	27'-9"	—
m(E)	8	#6	26'-8"	—
m1(E)	12	#6	28'-0"	—
m2(E)	12	#6	19'-7"	—
m3(E)	10	#6	9'-3"	—
m4(E)	4	#6	2'-8"	—
s(E)	82	#5	6'-7"	—
s1(E)	72	#4	8'-10"	—
v1(E)	82	#5	3'-0"	—

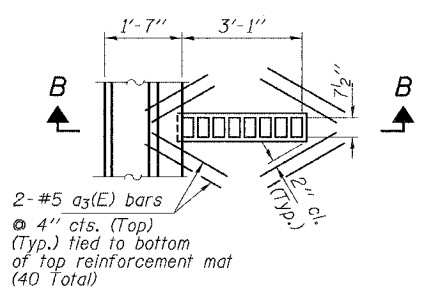
BILL OF MATERIAL - CONT.

Reinforcement Bars, Epoxy Coated	Pound	62,210
Concrete Superstructures	Cu. Yds.	249.4
Protective Coat	Sq. Yds.	903
Bar Splitters	Each	84
Bridge Deck Grooving	Sq. Yds.	763

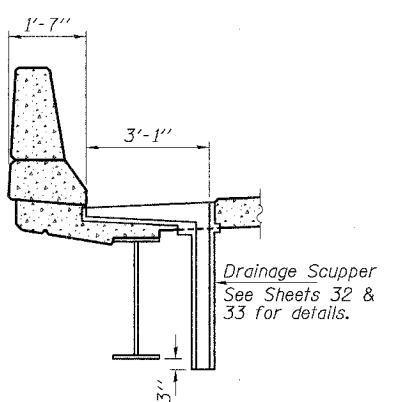
Note: Quantity for Protective Coat includes parapet.



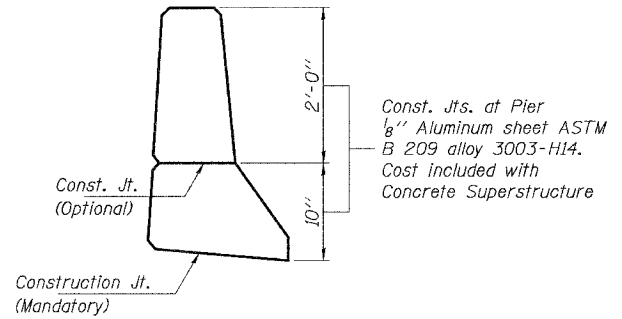
SECTION THRU PARAPET



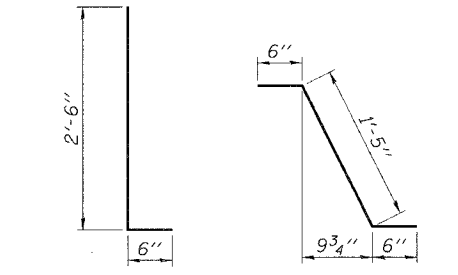
PLAN



SECTION B-B

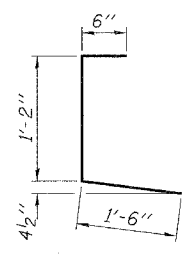


PARAPET JOINT DETAILS

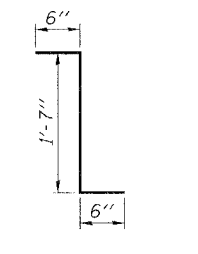


BARS d(E) & d2(E)

BAR d1(E)



BAR d3(E)



BAR d4(E)

HLR
 Rice, Berry and Associates
 A Division of Hampton, Lenzini and Renwick, Inc.
 Civil & Structural Engineers
 3085 Stevenson Drive
 Suite 201
 Springfield, Illinois 62703
 217-546-3400
 P.O. Box 1036
 DuQuoin, Illinois 62832
 Date: 11/15/05
 618-790-4637
 Account Number 12-53-0033-1
 DESIGNED: P.S.L. CHECKED: S.W.M. DRAWN: D.B.

SUPERSTRUCTURE DETAILS
 F.A.U. 6385 / C.H. 70 OVER SUGAR CREEK
 SECTION 00-00182-01-BR
 McLEAN COUNTY
 STRUCTURE 057-5306 / STATION 820+21