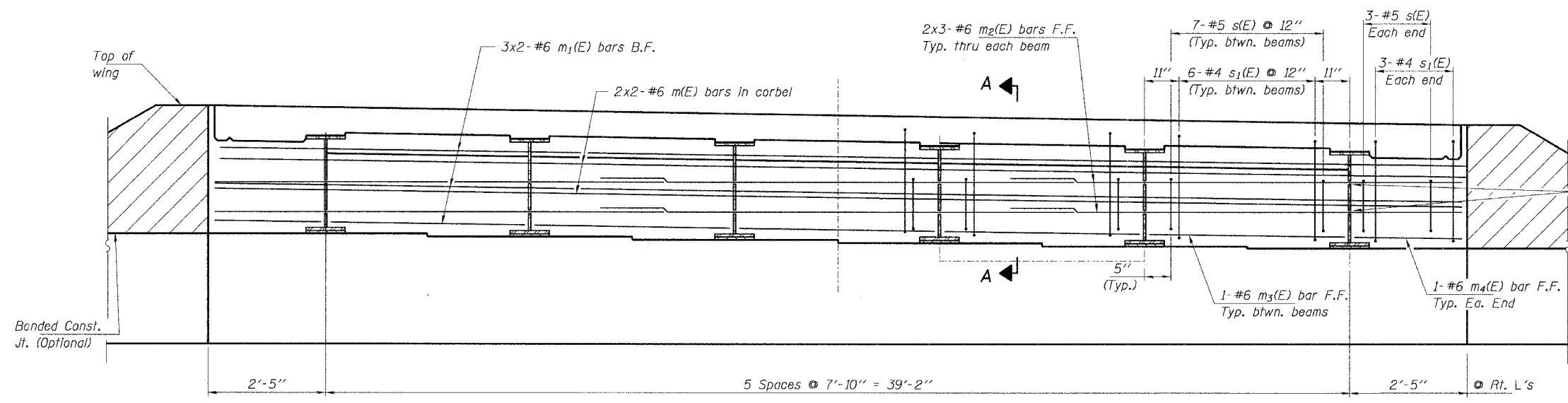
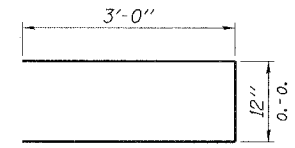


ROUTE NO.	SECTION	COUNTY	SHEET NO.	SHEET TOTAL
F.A.U. 6385	00-00182-01-BR	McLEAN	33	23
FED. ROAD DIST. NO.	ILLINOIS	FED. AID PROJECT - BRN-522743		

CONTRACT NO. 87269



1"Ø holes thru web for m2(E) bars (Typ.) See sheet 25 for detail.



BAR a2(E)

BACK FACE

FRONT FACE

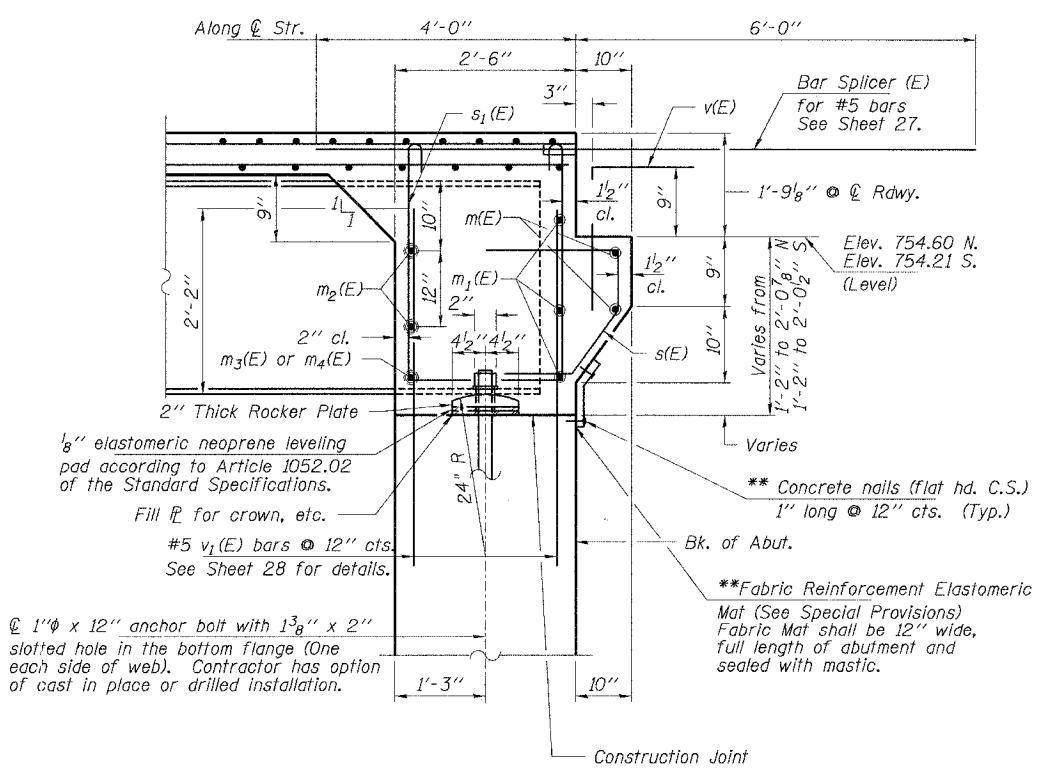
DIAPHRAGM AT ABUTMENTS

South Abut. (Looking South)
North Abut. (Opposite Hang)
F.F. - Front Face
B.F. - Back Face

MIN. BAR LAPS

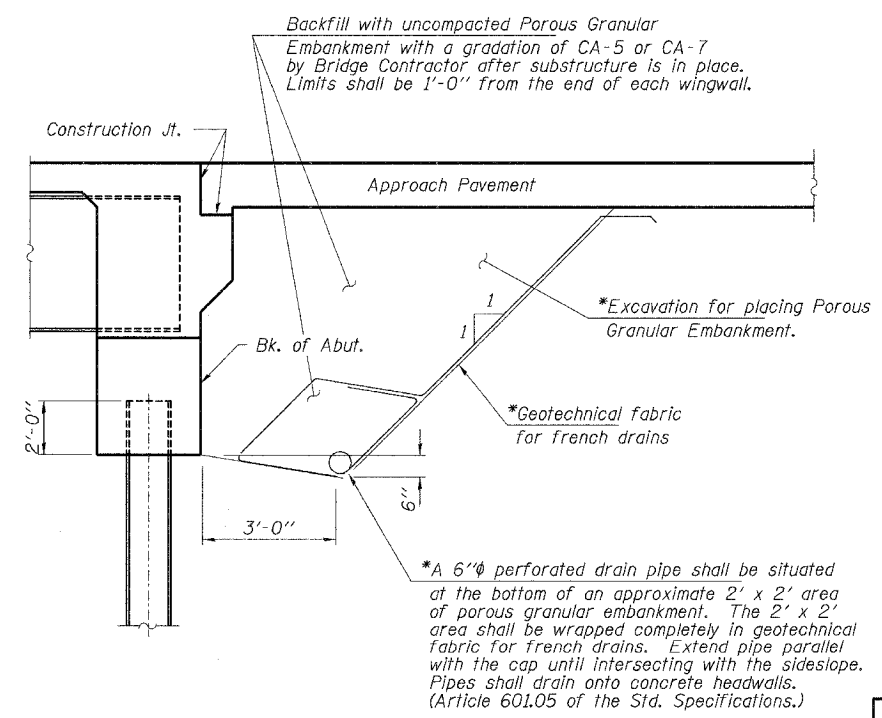
#6 bars = 2'-9"

Notes: Reinforcement bars in diaphragms are billed with superstructure on sheet 22. Concrete in diaphragms is included with "Concrete Superstructure" on sheet 22. Reinforcement bars designated (E) shall be epoxy coated.



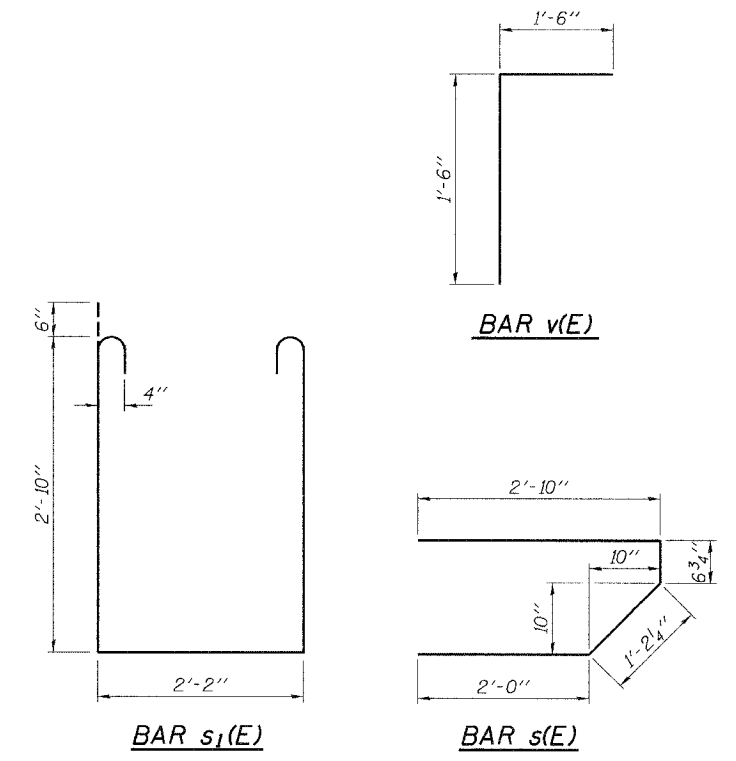
SECTION A-A

At Right L's
** Cost included with "Concrete Structures".



UNDERDRAIN DETAILS AT ABUTMENTS

* Cost Included with Porous Granular Embankment.



BAR v(E)

BAR s1(E)

BAR s(E)

HLR
Rice, Berry and Associates
A Division of Hampton,
Lenzini and Renwick, Inc.
Civil & Structural Engineers
3085 Stevenson Drive
Suite 201
Springfield, Illinois 62703
217-546-3400
P.O. Box 1036
DuQuoin, Illinois 62832
618-790-4637
Date: 11/15/05
Account Number
12-59-0033-1
DESIGNED: P.S.L. CHECKED: S.W.M. DRAWN: D.B.

SUPERSTRUCTURE DETAILS
F.A.U. 6385 / C.H. 70 OVER SUGAR CREEK
SECTION 00-00182-01-BR
McLEAN COUNTY
STRUCTURE 057-5306 / STATION 820+21