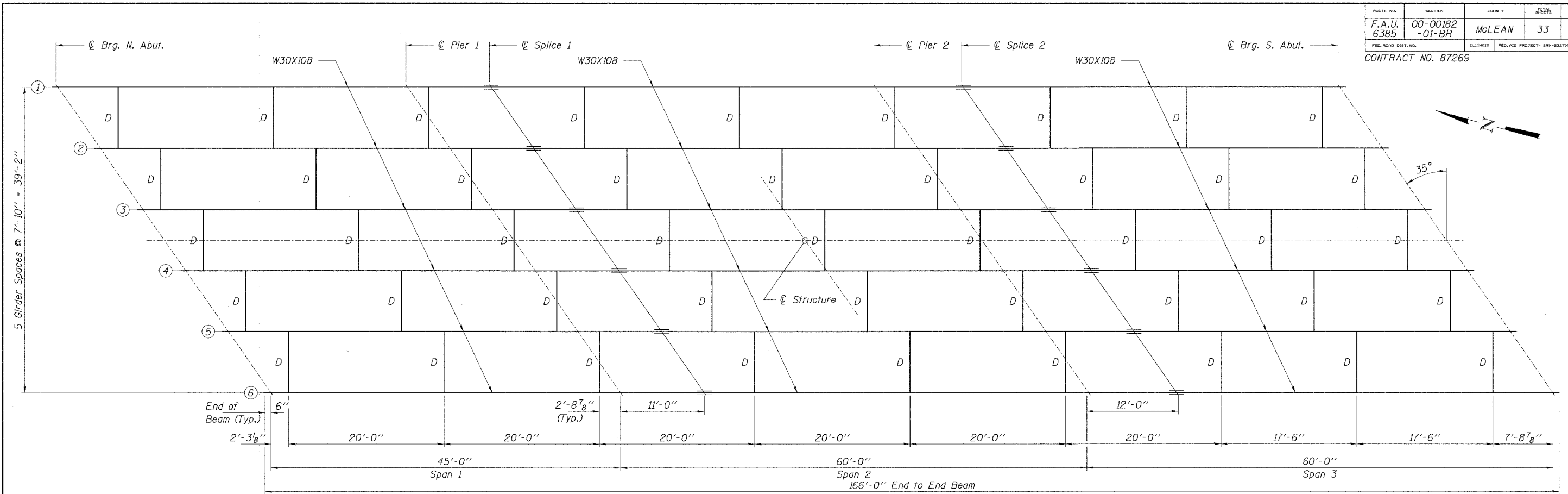
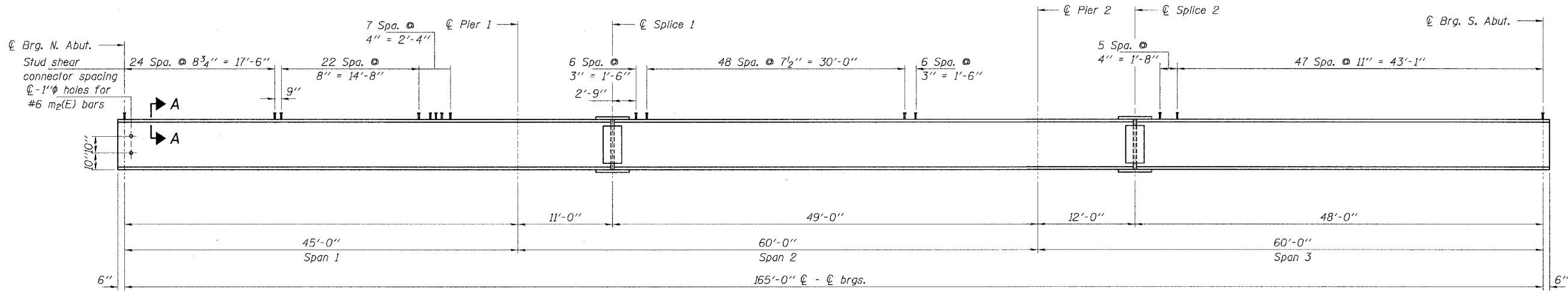


ROUTE NO. F.A.U. 6385	SECTION 00-00182 -01-BR	COUNTY McLEAN	SHEET NO. 33	TOTAL SHEETS 24
FED. ROAD DIST. NO.		ILLINOIS	FED. AID PROJECT: BRH-822743	
CONTRACT NO. 87269				

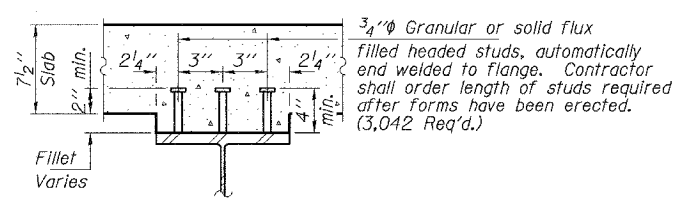


PLAN



ELEVATION

Notes:
 N.T.R. Indicates Notch Toughness Requirements, Zone 2.
 All structural steel shall be M270 Grade 50 W.



SECTION A-A

Location	¢ Brg. N. Abut.	¢ Pier #1	¢ Splice #1	¢ Pier #2	¢ Splice #2	¢ Brg. S. Abut.
BEAM 1	756.070	755.949	755.909	755.805	755.770	755.680
BEAM 2	755.891	755.771	755.731	755.628	755.593	755.505
BEAM 3	755.711	755.593	755.553	755.452	755.417	755.330
BEAM 4	755.532	755.415	755.376	755.275	755.241	755.155
BEAM 5	755.353	755.237	755.198	755.099	755.066	754.980
BEAM 6	755.174	755.059	755.021	754.922	754.890	754.806

TOP OF BEAM ELEVATIONS
(For fabrication only)

HLR
 Rice, Berry and Associates
 A Division of Hampton, Lenzini and Renwick, Inc.
 Civil & Structural Engineers
 3085 Stevenson Drive
 Suite 201
 Springfield, Illinois 62703
 217-546-3400
 P.O. Box 1036
 DuQuoin, Illinois 62832
 618-790-4637
 Account Number 12-59-0033-1
 Date: 11/15/05
 DESIGNED: P.S.L. CHECKED: S.W.M. DRAWN: D.B.

STRUCTURAL STEEL
 F.A.U. 6385 / C.H. 70 OVER SUGAR CREEK
 SECTION 00-00182-01-BR
 McLEAN COUNTY
 STRUCTURE 057-5306 / STATION 820+21