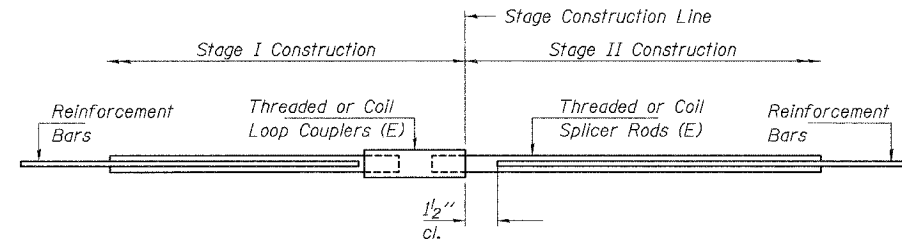


CONTRACT NO. 87269

**NOTES**

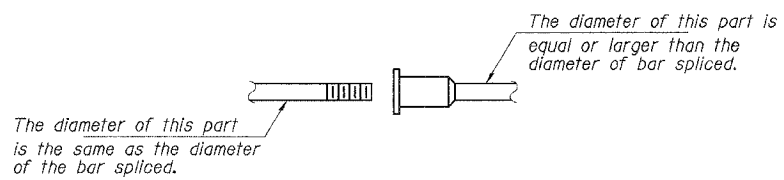
Bar splicer assemblies shall be of an approved type and shall develop in tension at least 125 percent of the yield strength of the lapped reinforcement bars.  
 Splicer rods shall be of minimum 60 ksi yield strength, threaded or coiled full length.  
 All reinforcement bars shall be lapped and tied to the splicer rods or dowel bars.  
 Bar splicer assemblies shall be epoxy coated according to the requirements for reinforcement bars.  
 Other systems of similar design may be submitted to the Engineer for approval. Approval shall be based on certified test results from an approved testing laboratory that the proposed bar splicer assembly satisfies the following requirements:

- ① Minimum Capacity =  $1.25 \times f_y \times A_t$   
(Tension in kips)
  - ② Minimum \*Pull-out Strength =  $1.25 \times f_{s_{allow}} \times A_t$   
(Tension in kips)
- Where  $f_y$  = Yield strength of lapped reinforcement bars in ksi.  
 $f_{s_{allow}}$  = Allowable tensile stress in lapped reinforcement bars in ksi (Service Load)  
 $A_t$  = Tensile stress area of lapped reinforcement bars.  
 \* = 28 day concrete



**SPLICER DETAIL**

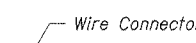
Bar Size	No. Assemblies Required	Location



**ROLLED THREAD DOWEL BAR**



**\*\* ONE PIECE**



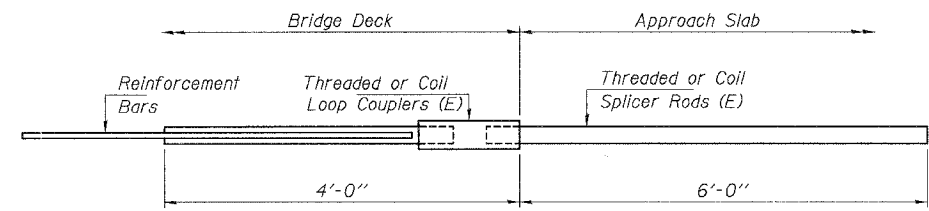
**WELDED SECTIONS**

**BAR SPLICER ASSEMBLY ALTERNATIVES**

\*\* Heavy Hex Nuts conforming to ASTM A 563, Grade C, D or DH may be used.

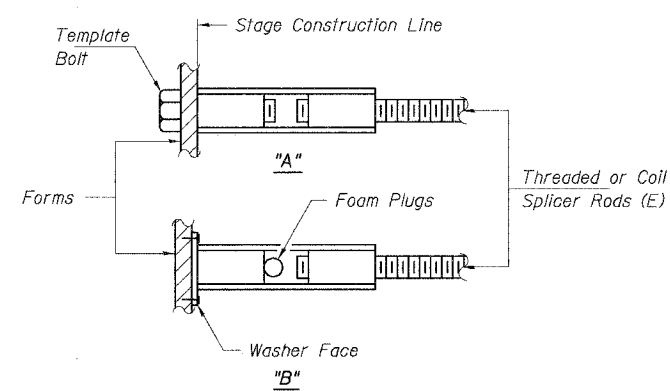
Bar Size to be Spliced	Splicer Rod or Dowel Bar Length	Strength Requirements	
		Min. Capacity kips - tension	Min. Pull-Out Strength kips - tension
#5	2'-0"	23.0	9.2
#6	2'-7"	33.1	13.3
#7	3'-5"	45.1	18.0
#8	4'-6"	58.9	23.6

Bar splicer assemblies shall be according to Section 508 of the Standard Specifications, except as noted. The furnishing and installation of bar splicer assemblies will be measured and paid for at the contract unit price each for "BAR SPLICERS."



**INTEGRAL ABUTMENT  
BAR SPLICER ASSEMBLY DETAIL  
FOR #5 BAR**

Min. Capacity = 23.0 kips - tension
Min. Pull-out Strength = 9.2 kips - tension
No. Required = 82



**INSTALLATION AND SETTING METHODS**

"A" : Set bar splicer assembly by means of a template bolt.  
 "B" : Set bar splicer assembly by nailing to wood forms or cementing to steel forms.  
 (E) : Indicates epoxy coating.

**HLR**  
 Rice, Barry and Associates  
 A Division of Hampton, Lenzini and Renwick, Inc.  
 Civil & Structural Engineers  
 3085 Stevenson Drive  
 Suite 201  
 Springfield, Illinois 62703  
 217-546-3400  
 P.O. Box 1036  
 DuQuoin, Illinois 62832  
 618-790-4637  
 Account Number 12-59-0033-1  
 Date: 11/15/05  
 DESIGNED: P.S.L. CHECKED: S.W.M. DRAWN: D.B.

**BAR SPLICERS**  
 F.A.U. 6385 / C.H. 70 OVER SUGAR CREEK  
 SECTION 00-00182-01-BR  
 McLEAN COUNTY  
 STRUCTURE 057-5306 / STATION 820+21