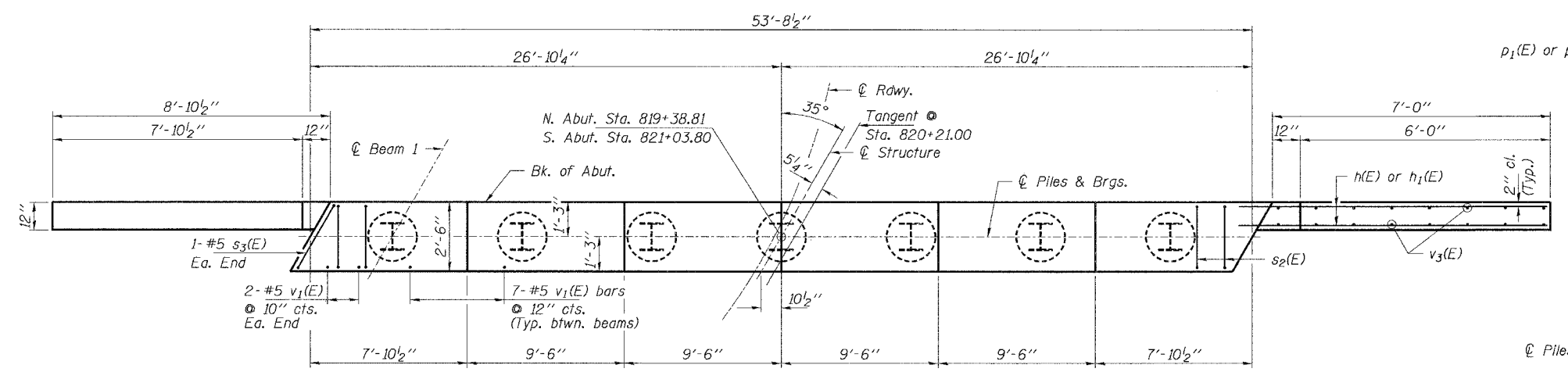
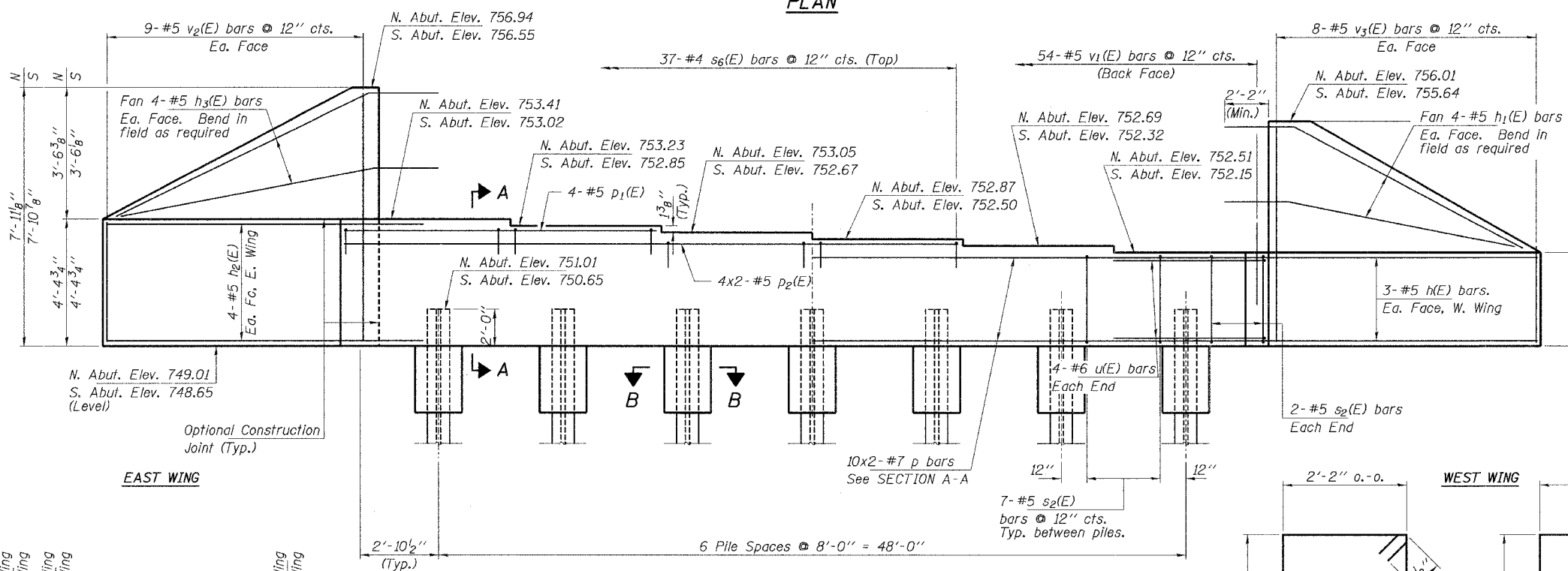


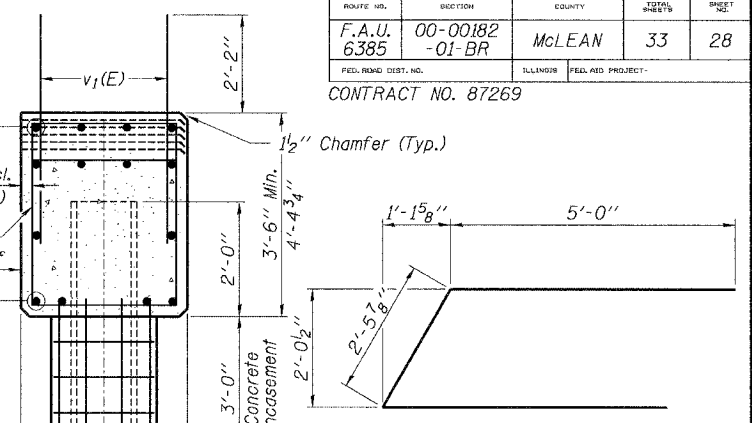
ROUTE NO.	SECTION	COUNTY	TOTAL SHEETS	SHEET
F.A.U. 6385	00-00182-01-BR	McLEAN	33	28
FED. ROAD DIST. NO.		ILLINOIS	FED. AID PROJECT	
CONTRACT NO. 87269				



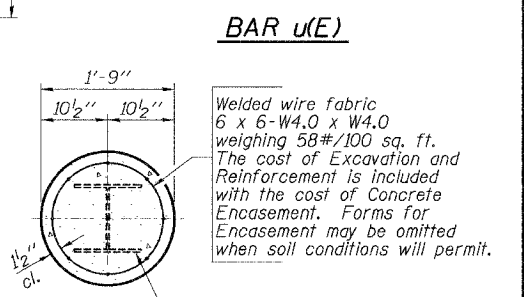
**PLAN**



**ELEVATION**  
(South Abutment looking South, North Abutment opposite hand.)



**SECTION A-A**



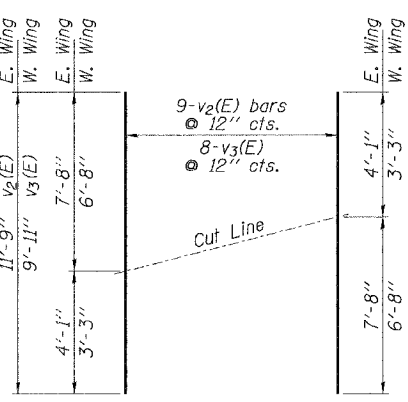
**SECTION B-B**

**PILE ENCASEMENT DETAIL**

**BILL OF MATERIAL - BOTH ABUTS.**

BAR	NO.	SIZE	LENGTH	SHAPE
h(E)	12	#5	9'-2"	—
h1(E)	16	#5	10'-0"	—
h2(E)	16	#5	11'-0"	—
h3(E)	16	#5	11'-8"	—
p(E)	40	#7	28'-5"	—
p1(E)	8	#5	17'-1"	—
p2(E)	16	#5	19'-2"	—
s2(E)	92	#5	11'-7"	□
s3(E)	4	#5	12'-5"	□
s6(E)	74	#5	4'-2"	—
u(E)	16	#6	12'-6"	—
v1(E)	200	#5	4'-4"	—
v2(E)	18	#5	11'-9"	—
v3(E)	16	#5	9'-11"	—
Concrete Structures			Cu. Yd.	47.8
Reinforcement Bars, Epoxy Coated			Pound	6,520
Steel Piles HP 10x57			Foot	520
Test Pile Steel HP 10x57			Each	1
Concrete Encasement			Cu. Yd.	3.8

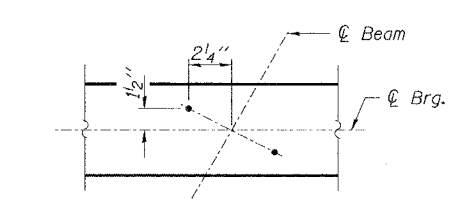
Bars indicated thus 10x2-#7 etc. indicates 10 lines of bars with 2 lengths per line. Reinforcement Bars designated (E) shall be epoxy coated.



**FIELD CUTTING DIAGRAM**

Order v2(E) & v3(E) full length. Cut as shown and use remainder of bars in opposite face.

**MIN. BAR LAPS**  
#5 = 2'-2"  
#7 = 3'-5"



**TYP. ANCHOR BOLT LOCATIONS**

Note: Space reinforcement in the cap to miss anchor bolts.  
The contractor shall precure hole at the North Abut. to a minimum of 4 feet below the adjacent waterline top of pipe elevation. An additional 10 tons has been added to the design capacity for negative skin friction loading.

**BAR s6(E)**

**BAR s2(E)**

**BAR s3(E)**

**PILE DATA**

Type ----- Steel HP10x57  
No. Req'd. (2 Abutments) ----- \*14  
Capacity ----- 56 T/Pile  
Estimated Lengths ----- 40 Ft./Pile  
\* Includes one steel test pile to be driven in a permanent location at South Abutment.

**HLR**  
Rice, Berry and Associates  
A Division of Hampton, Lenzini and Renwick, Inc.  
Civil & Structural Engineers  
3085 Stevenson Drive  
Suite 201  
Springfield, Illinois 62703  
217-546-3400  
P.O. Box 1036  
DuQuoin, Illinois 62832  
618-790-4637  
Account Number 12-59-0033-1  
Date: 11/15/05  
DESIGNED: P.S.L. CHECKED: S.W.M. DRAWN: D.B.

**ABUTMENTS**  
F.A.U. 6385 / C.H. 70 OVER SUGAR CREEK  
SECTION 00-00182-01-BR  
McLEAN COUNTY  
STRUCTURE 057-5306 / STATION 820+21