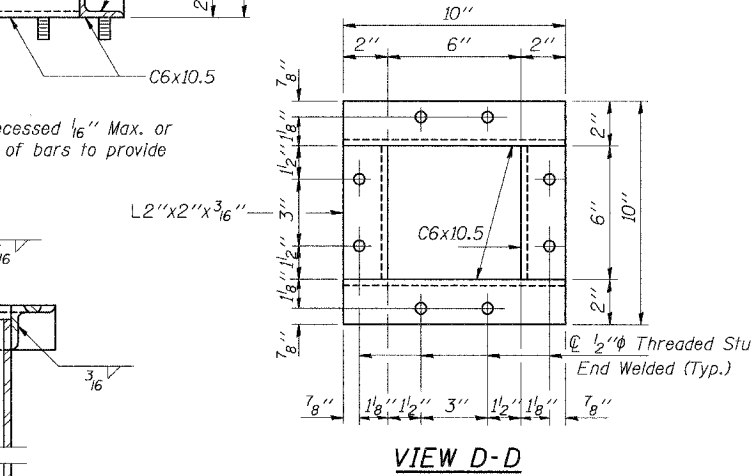
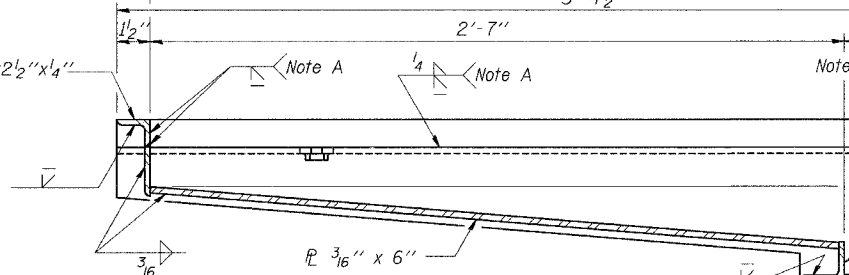
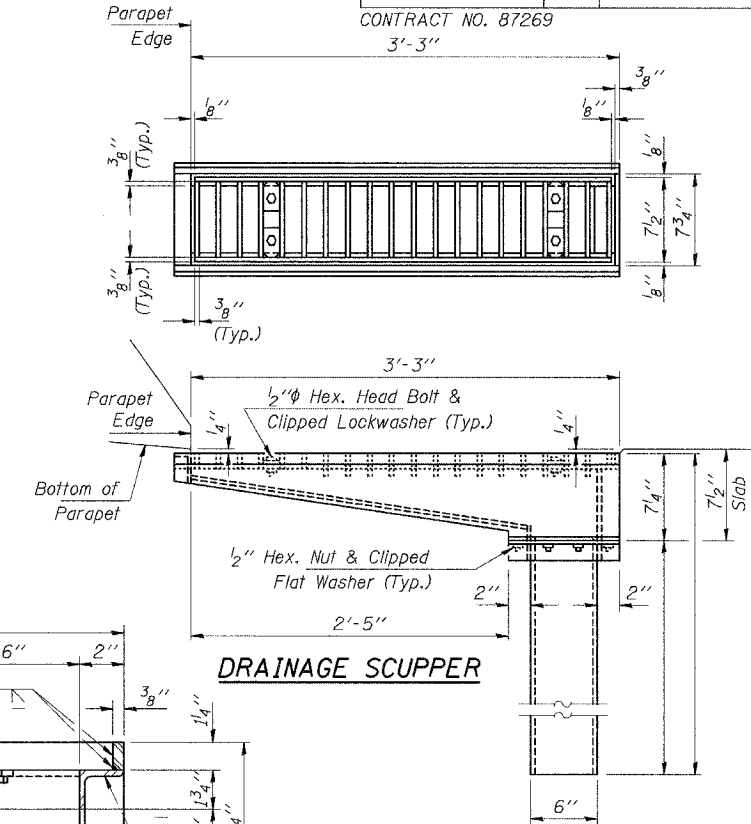
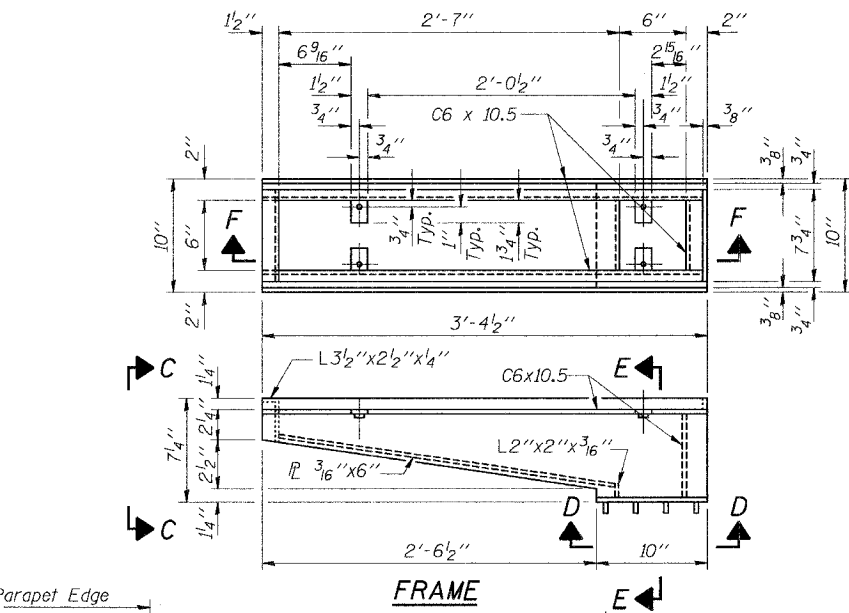
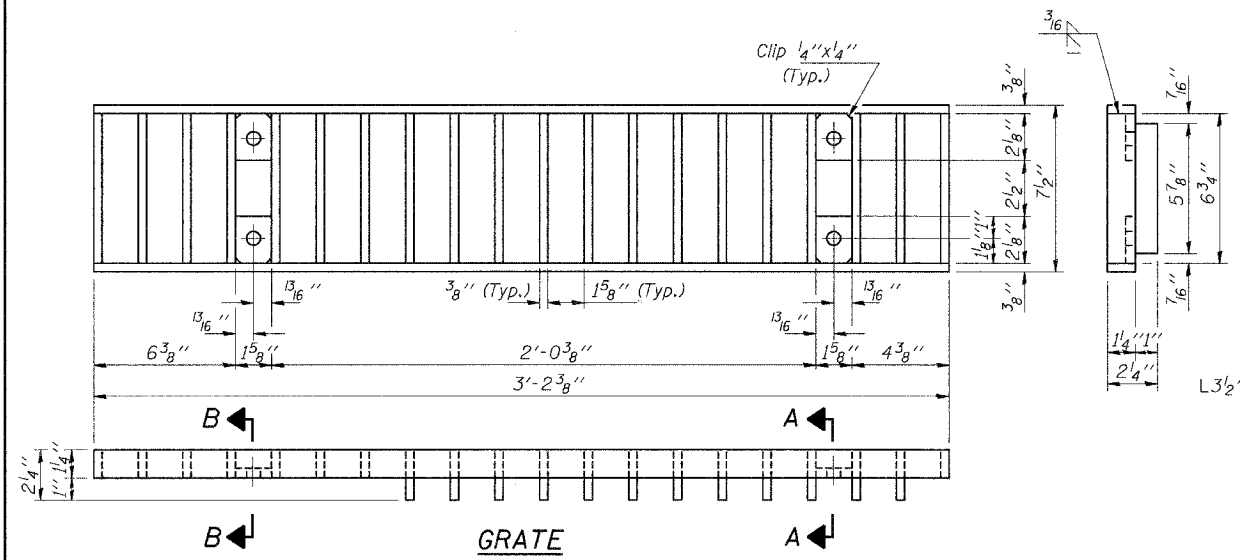
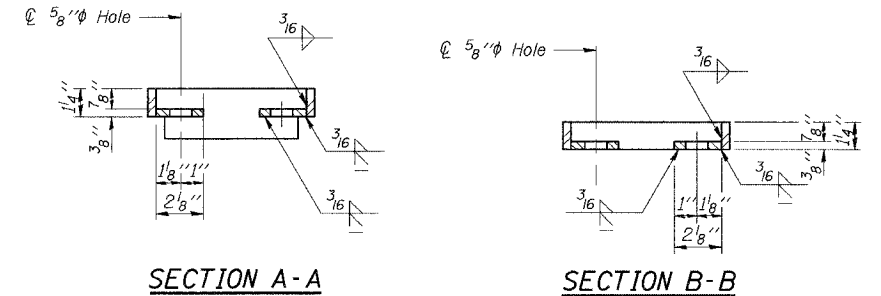
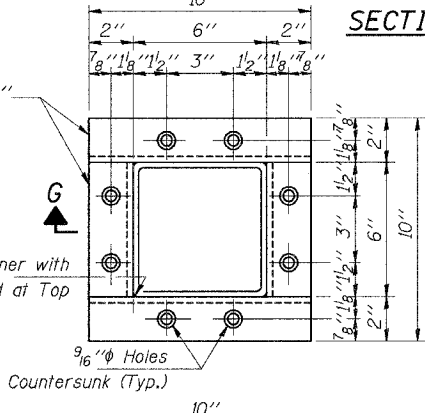
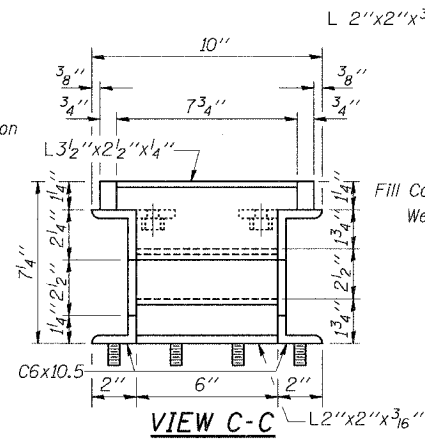


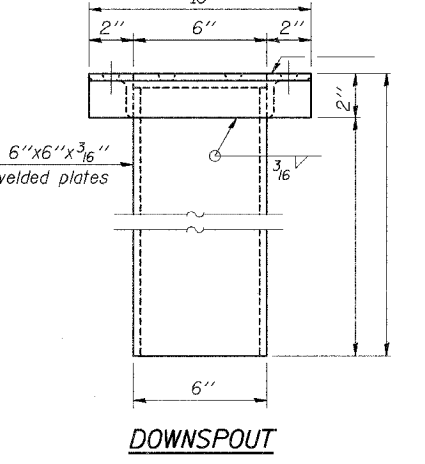
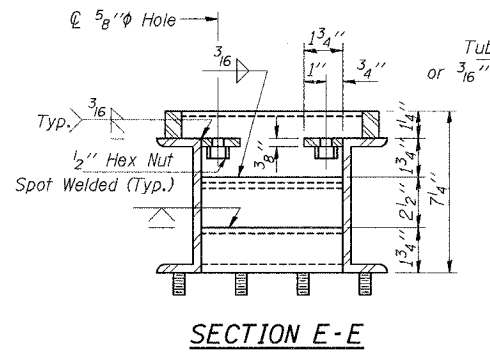
CONTRACT NO. 87269
3'-3"



Notes:
Hollow structural steel tubing shall conform to the requirements of ASTM designation A500 Grade B, or A501 Structural Steel Tubing.
All other shapes, plates and bars shall conform to the requirements of AASHTO M270 Grade 36.
Bolts, studs, washers and nuts shall conform to the requirements of ASTM A307.
The Grate, Frame and Downspout shall be galvanized after shop fabrication in accordance with AASHTO M111 & ASTM A385.
All bolts, washers and nuts shall be galvanized in accordance with AASHTO M232.
Cost of the Grate, Frame, Downspout, Bolts, Washers and Nuts including complete installation of Scupper will be paid for at the unit bid price each for "DRAINAGE SCUPPERS."



Note A: Surface of welds shall be recessed 1/16" Max. or placed flush with inside face of bars to provide clearance for Grate.



BILL OF MATERIAL

ITEM	UNIT	QUANTITY
Drainage Scupper	Each	2

(Sheet 1 of 2)

HLR
Rice, Berry and Associates
A Division of Hampton, Lenzi and Renwick, Inc.
Civil & Structural Engineers
3085 Stevenson Drive
Suite 201
Springfield, Illinois 62703
217-546-3400
P.O. Box 1036
DuQuoin, Illinois 62832
618-790-4637
Date: 11/15/05
DESIGNED: P.S.L. CHECKED: S.W.M. DRAWN: D.B.

STEEL DRAINAGE SCUPPER
F.A.U. 6385 / C.H. 70 OVER SUGAR CREEK
SECTION 00-00182-01-BR
McLEAN COUNTY
STRUCTURE 057-5306 / STATION 820+21