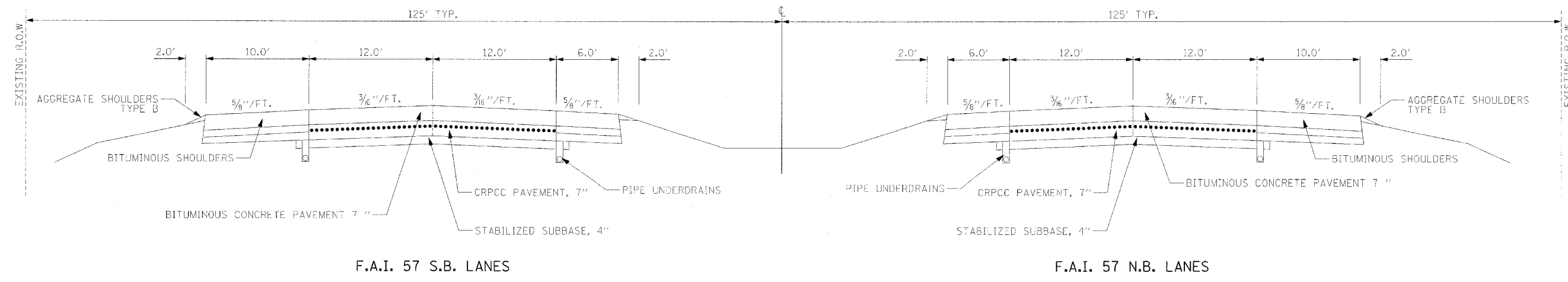
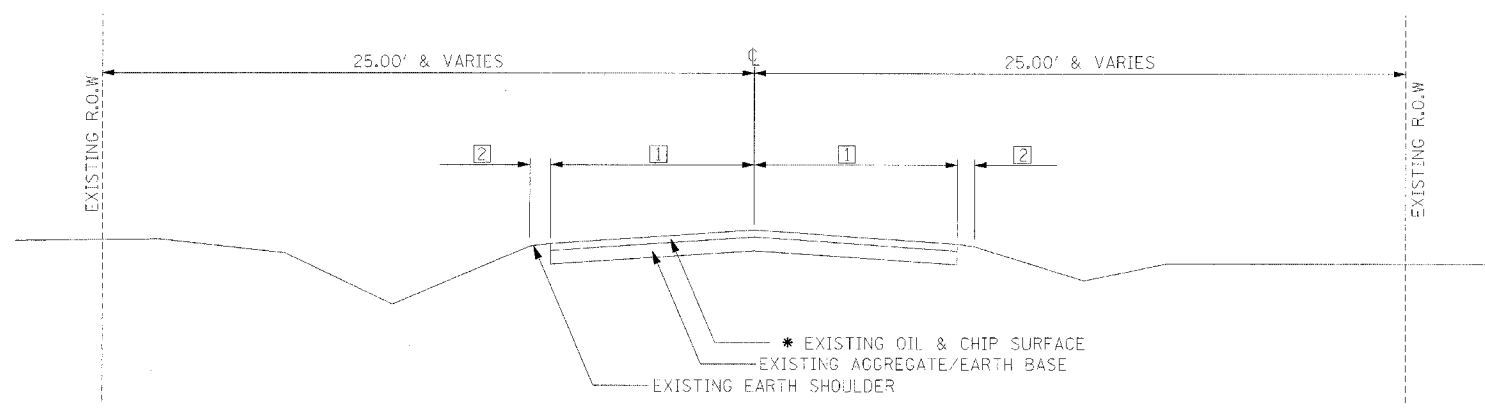


F.A.S. RTE.	SECTION	COUNTY	TOTAL SHEETS	SHEET NO.
642	99-00124-02-PV	COLES	229	3
STA.		TO STA.		
FED. ROAD DIST. NO.	ILLINOIS	FED. AID PROJECT		



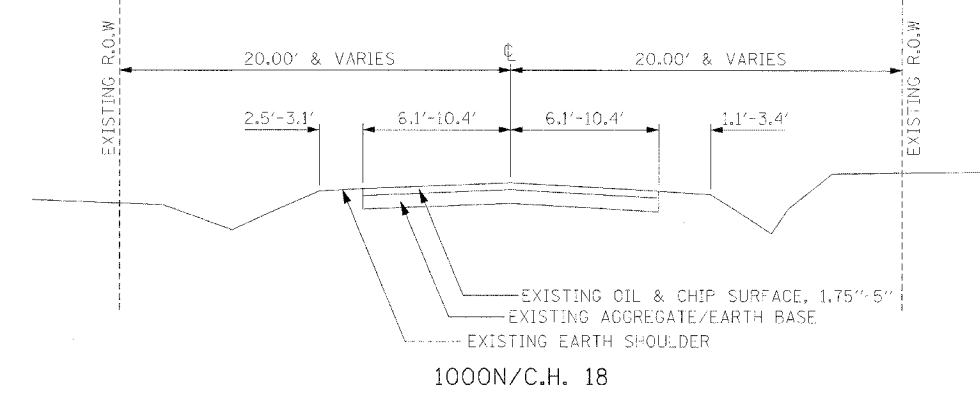
F.A.I. 57 S.B. LANES

F.A.I. 57 N.B. LANES



TOWNSHIP ROADS :

700E	-	1	VARIES 11.2' - 11.5'
		2	VARIES 1.2' - 1.5'
		*	1.5"-4.5"
780E	-	1	11.3'
		2	VARIES 1.7' - 2.4'
		*	3"
800E	-	1	8.5'
		2	0.0'
		*	4.5"
870E	-	1	6.3'
		2	VARIES 3.4' - 4.7'
		*	2.5"
900E	-	1	10.2'
		2	VARIES 0.0' - 3.2'
		*	4.5"



1000N/C.H. 18

NOTE: EXISTING TYPICAL SECTION INFORMATION IS APPROXIMATE AND SHOULD BE FIELD VERIFIED.

REVISIONS	
NAME	DATE

ILLINOIS DEPARTMENT OF TRANSPORTATION  
 EXISTING TYPICAL SECTIONS  
 FAI-57, FAS 642  
 SEC NO. 15-23K, 99-00124-02-PV  
 COLES COUNTY, ILLINOIS  
 SCALE: NOT TO SCALE  
 DATE 07/13/2005  
 DRAWN BY DJP  
 CHECKED BY SKM



07/13/2005  
 I:\97 JOBS\97a2028\Drawings\Sheet\c-505typ.dgn  
 LAYOUT: DJP 12/26/03  
 DRAWN: DJP 12/26/03  
 REVIEWED: SKM 01/25/04