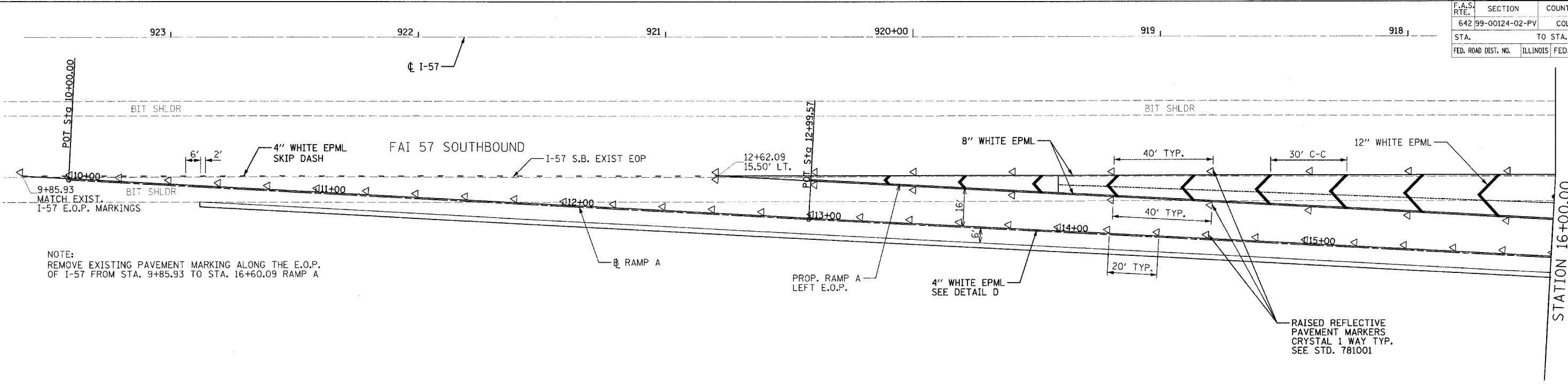
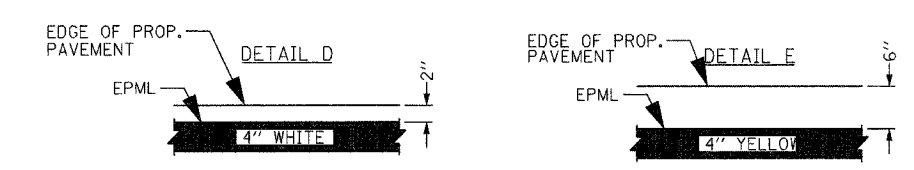


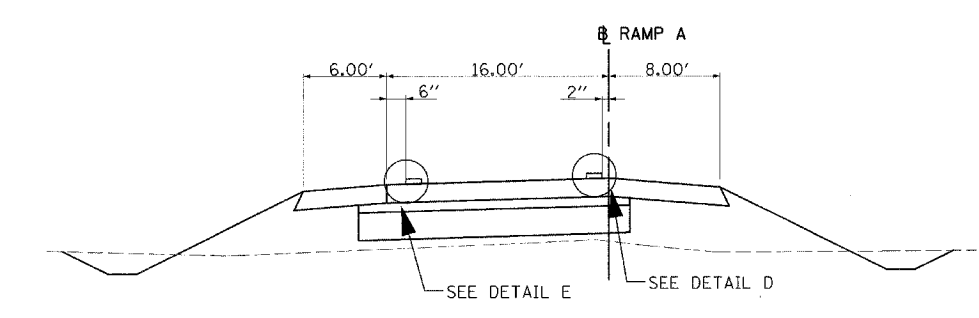
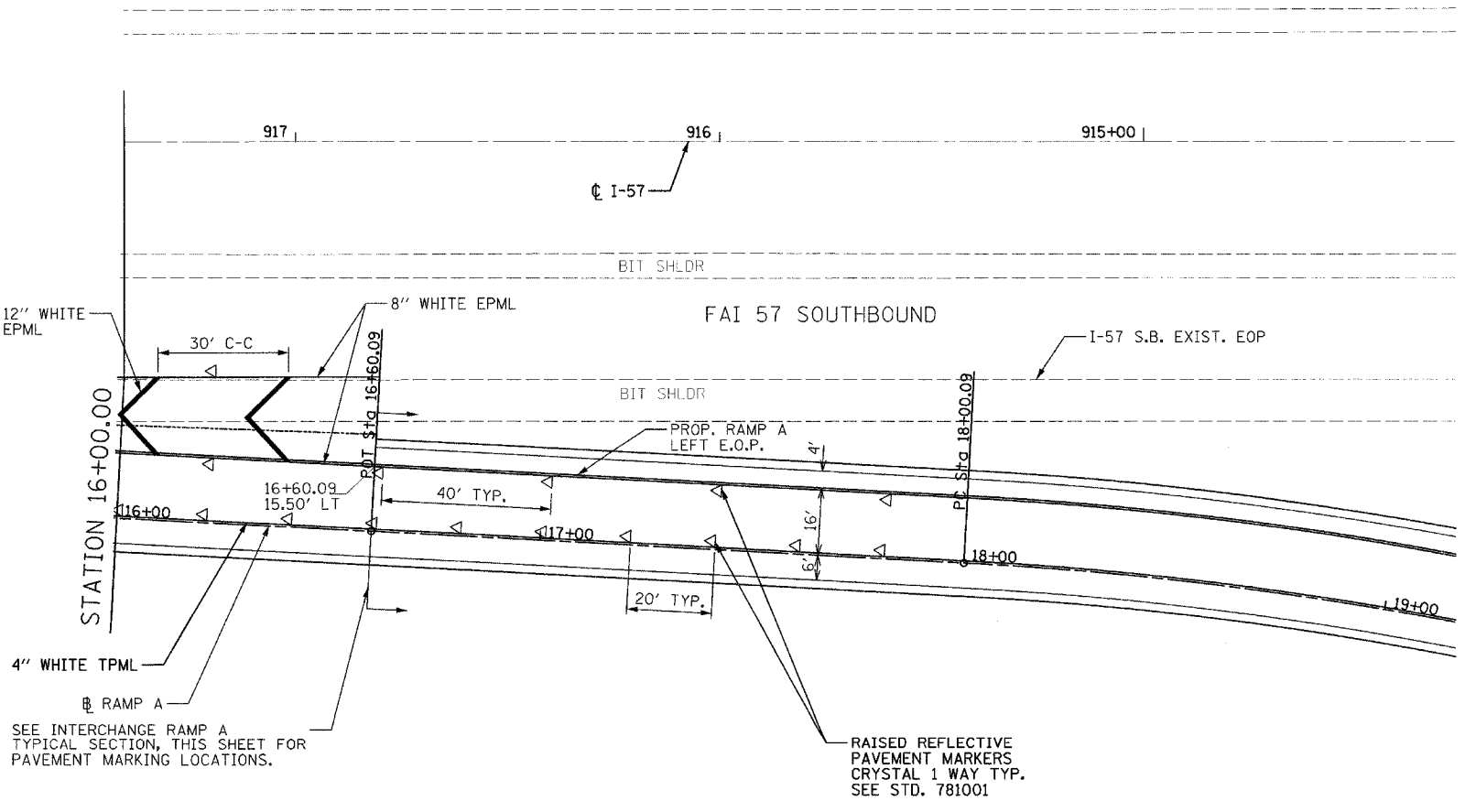
F.A.S. RTE.	SECTION	COUNTY	TOTAL SHEETS	SHEET NO.
642	99-00124-02-PV	COLES	229	73
STA. TO STA.		FED. ROAD DIST. NO. ILLINOIS FED. AID PROJECT		



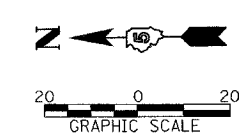
NOTE:  
REMOVE EXISTING PAVEMENT MARKING ALONG THE E.O.P. OF I-57 FROM STA. 9+85.93 TO STA. 16+60.09 RAMP A



EPML = EPOXY PAVEMENT MARKING LINE



INTERCHANGE RAMP A  
STA. 16+60.09 TO STA. 34+68.10



© Copyright Hanson Professional Services Inc. 2005

LAYOUT SKM 03/29/05  
 DRAWN JAP 04/29/05  
 REVIEWED SKM 07/15/04  
 07/13/2005  
 97 JOBS 97 202880 C:\N\Sheet\503PVT Adgn

REVISIONS	
NAME	DATE

ILLINOIS DEPARTMENT OF TRANSPORTATION  
 RAMP A PAVEMENT MARKINGS  
 FAI-57, FAS 642  
 SEC NO. 15-23K, 99-00124-02-PV  
 COLES COUNTY, ILLINOIS  
 SCALE: 1"=20'  
 DATE 07/13/2005  
 DRAWN BY JAP  
 CHECKED BY SKM