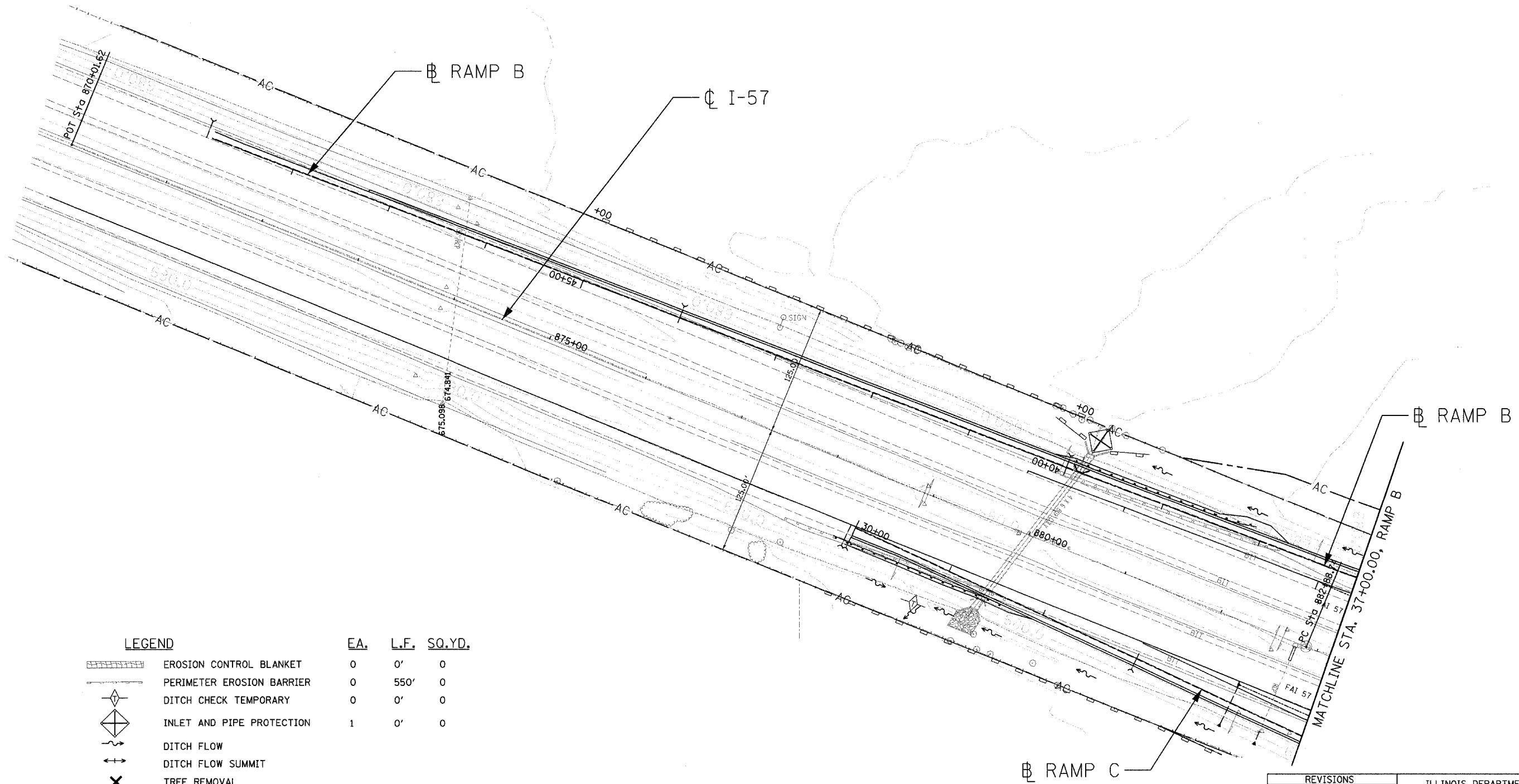
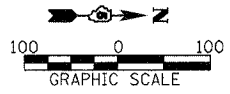


F.A.S. RTE.	SECTION	COUNTY	TOTAL SHEETS	SHEET NO.
642	99-00124-02-PV	COLES	229	103
STA.	TO STA.			
FED. ROAD DIST. NO.	ILLINOIS	FED. AID PROJECT		



LEGEND

	EA.	L.F.	SQ.YD.
	0	0'	0
	0	550'	0
	0	0'	0
	1	0'	0

REVISIONS	
NAME	DATE

ILLINOIS DEPARTMENT OF TRANSPORTATION
EROSION CONTROL PLAN
RAMP B
 FAI-57, FAS 642
 SEC NO. 15-23K, 99-00124-02-PV
 COLES COUNTY, ILLINOIS

SCALE: 1"=50'
 DATE 07/13/2005

DRAWN BY DJP
 CHECKED BY SKM

DATE: 07/13/2005
 DRAWN: DJP
 CHECKED: SKM
 REVISIONS: 01/28/03



© Copyright Hanson Professional Services Inc. 2005