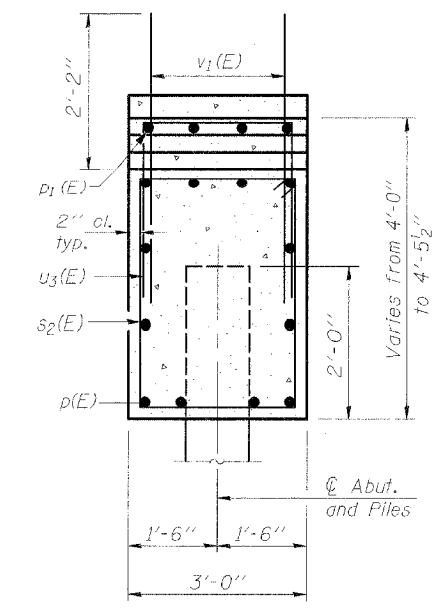
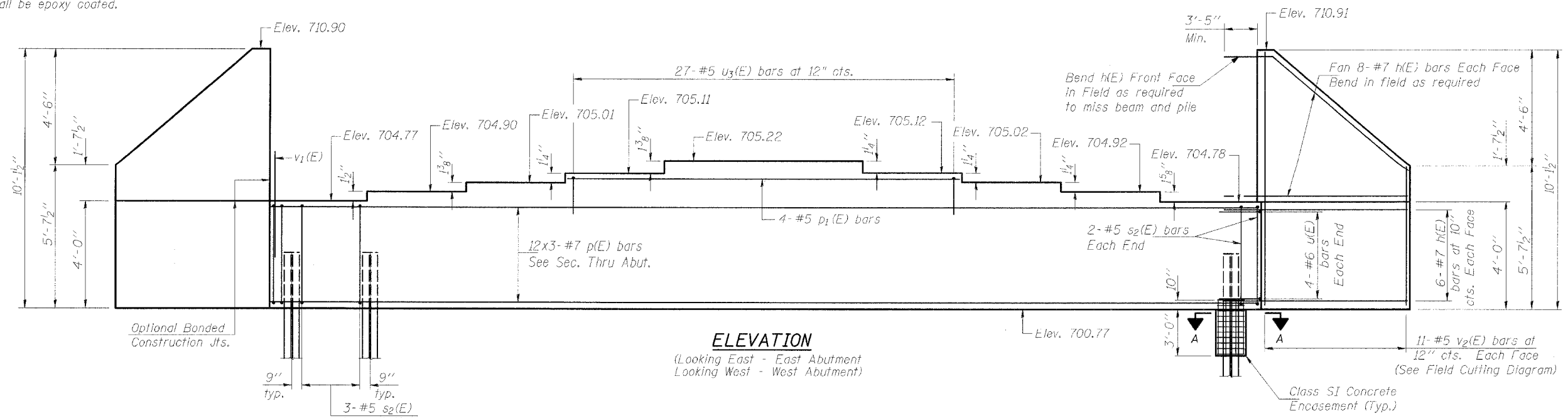
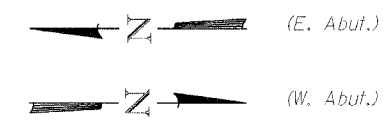
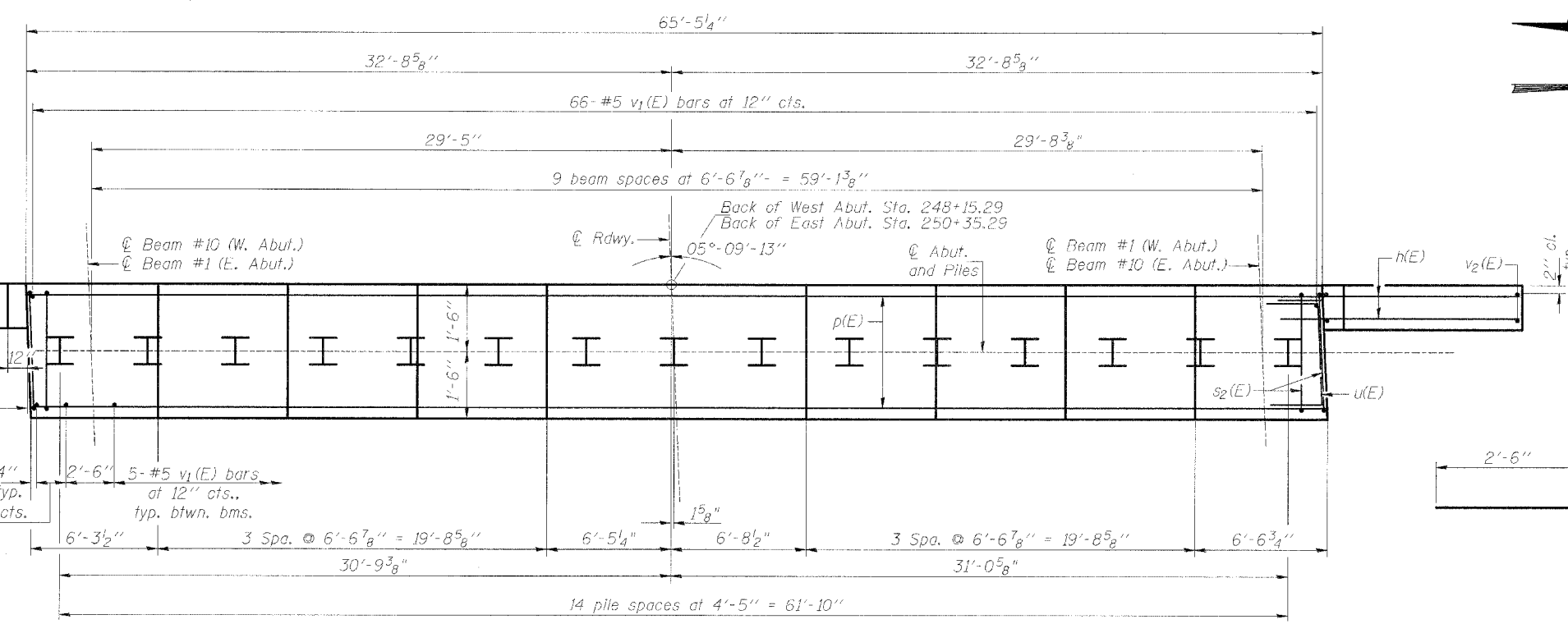


ROUTE NO.	SECTION	COUNTY	TOTAL SHEETS	SHEET NO.
C.H. 18	*	COLES	229	130
FED. ROAD DIST. NO. 7		ILLINOIS	FED. AID PROJECT -	

Notes: Four steps monolithically with cap.
Reinforcement bars designated (E)
shall be epoxy coated.



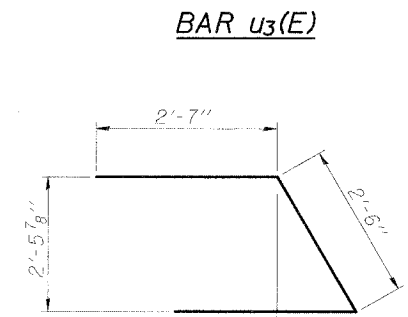
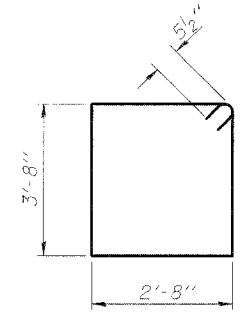
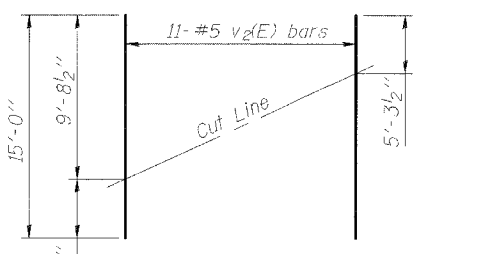
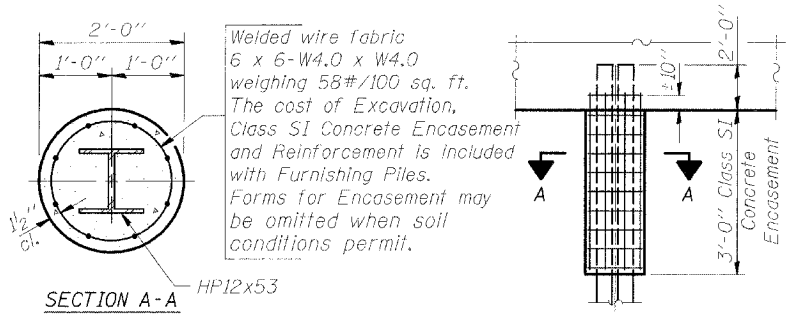
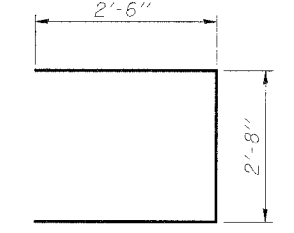
PILE DATA
 Pile Type: HP 12x53
 Capacity: Driven to Refusal *
 Estimated Length: 75' West Abutment
 80' East Abutment
 No. Required: 15 Piles/Abutment (Includes 1 Test Pile per Abutment)
 Test Piles: 1 required at Each Abutment
 * Allow 10 tons for Negative Skin Friction



BILL OF MATERIAL - 2 ABUTS.

Bar	No.	Size	Length	Shape
h(E)	112	#7	14'-4"	—
p(E)	72	#7	24'-0"	—
p1(E)	8	#5	26'-0"	—
s2(E)	92	#5	13'-7"	□
u(E)	16	#6	7'-8"	⌋
u3(E)	54	#5	7'-8"	⌋
v1(E)	234	#5	4'-4"	—
v2(E)	44	#5	15'-0"	—
Structure Excavation	Cu. Yd.	486		
Concrete Structures	Cu. Yd.	76.6		
Reinforcement Bars, Epoxy Coated	Pound	10700		
Furnishing Steel Piles HP12x53	Ft.	2170		
Driving Steel Piles	Ft.	2170		
Test Pile Steel HP12x53	Each	2		

MIN. BAR LAPS
 #5 Bar - 2'-2"
 #6 Bar - 2'-7"
 #7 Bar - 3'-5"



FIELD CUTTING DIAGRAM

Order v2(E) full length. Cut as shown and use remainder of bars in opposite face.

PILE ENCASEMENT DETAIL

Corporate License Number 184-001-084
WEST AND EAST ABUTMENTS
COUNTY HIGHWAY 18 OVER F.A.I. RTE. 57
SECTION 99-00124-02-PV
COLES COUNTY
STATION 249+25.29
STRUCTURE NUMBER 015-0073

I:\97-00124-02-PV\Structure\57- Bridge\urldgn
 9/7/2005

LAYOUT	MM	03/24/03
DRAWN	DAP	03/25/03
REVIEWED	JMM	05/12/03