

RTE.	SECTION	COUNTY	TOTAL SHEETS	SHEET NO.
C.H. 7	*	MENARD	9	7
PROJECT				

* 01-00050-00-BR

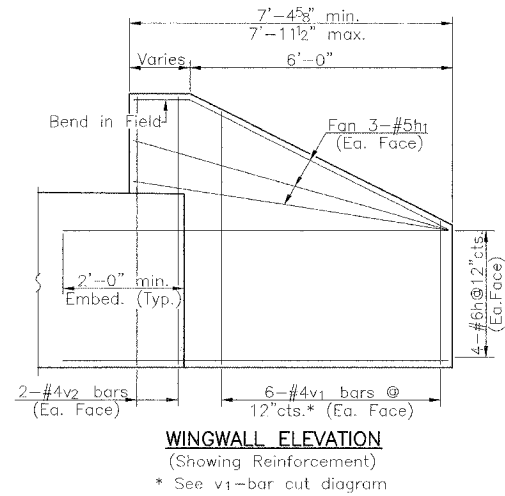
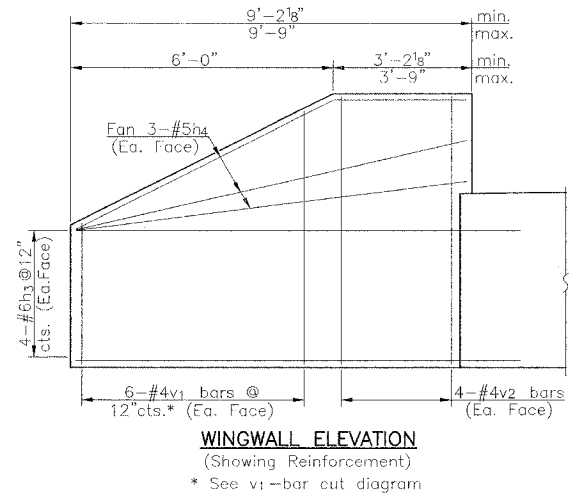
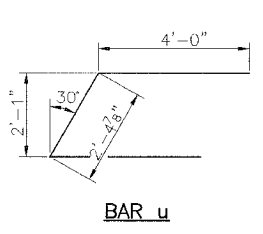
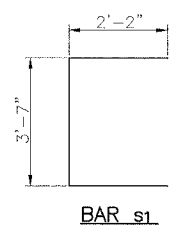
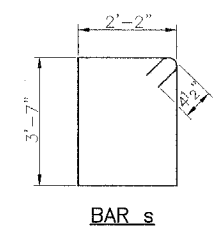
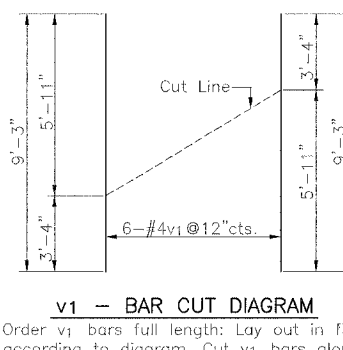
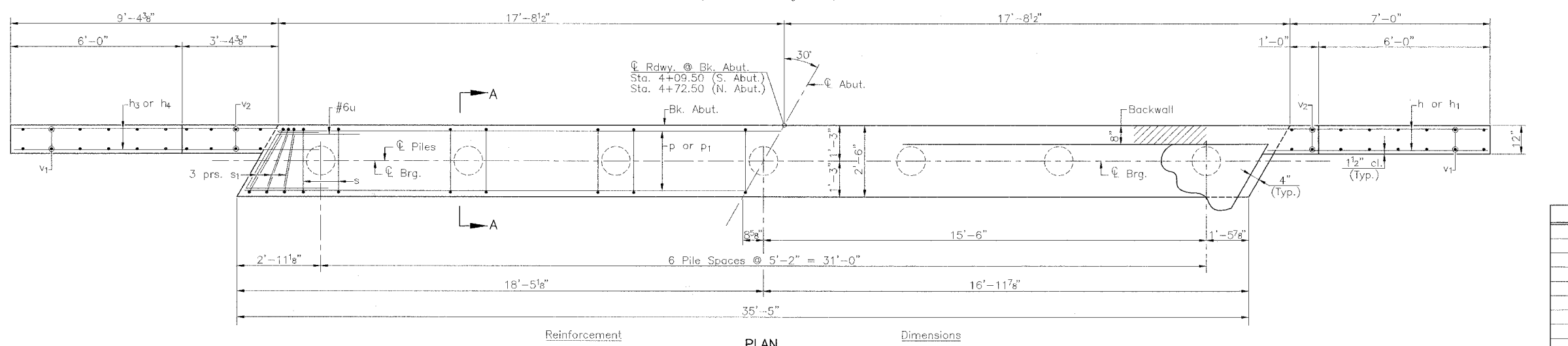
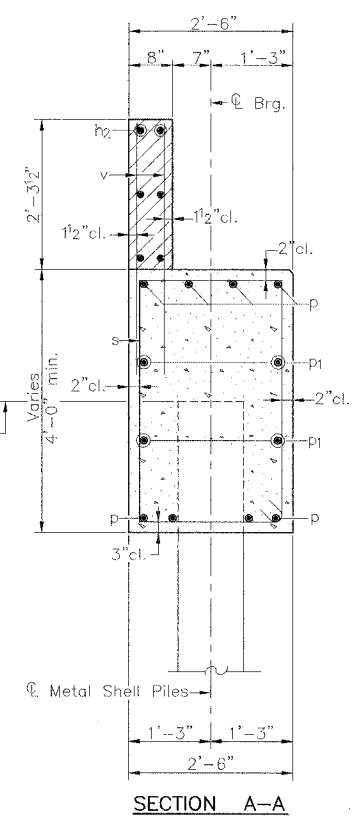
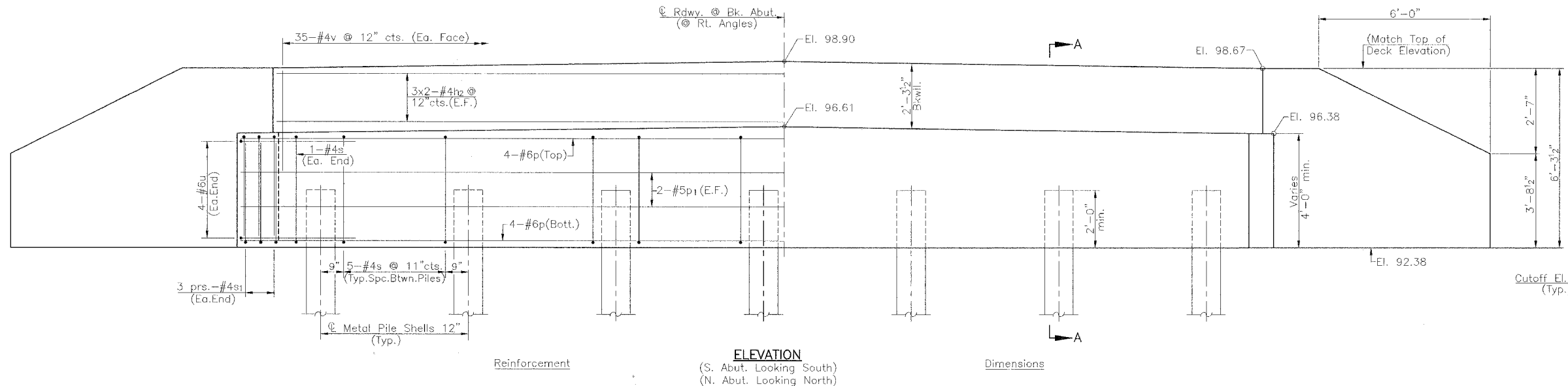
NOTES

All exposed edges shall have standard 3/4" chamfer.
Space reinforcement in cap to miss beam anchor dowels.
Wingwalls and Backwalls may, at the contractor's option, be cast monolithically.

PILE DATA

	S. Abut.	N. Abut.
Type:	Metal Shell 12"Ø	Metal Shell 12"Ø
Capacity:	31 Ton	31 Ton
Est. Length:	58'	63'
No. Req'd.:	6 + 1 Test Pile	7 Required

Note: Hatched area and wingwalls shall be poured after deck beams are anchored in place.



TWO ABUTMENTS BILL OF MATERIAL

BAR	NO.	SIZE	LENGTH	SHAPE
h	16	#6	9'-0"	—
h1	12	#5	7'-0"	—
h2	24	#4	19'-6"	—
h3	16	#6	11'-9"	—
h4	12	#5	9'-0"	—
P	16	#6	35'-1"	—
P1	8	#5	35'-1"	—
s	64	#4	12'-3"	□
s1	24	#4	7'-11"	□
u	16	#6	10'-5"	□
v	140	#4	3'-9"	—
v1	24	#4	9'-3"	—
v2	24	#4	5'-11"	—
Concrete Structures			Cu. Yd.	37.6
Reinforcement Bars			Pound	3645
Furnishing Metal Pile Shells 12"			Foot	789
Driving and Filling Shells			Foot	789
Test Piles, Metal Shells			Each	1
Structure Excavation			Cu. Yd.	82

ABUTMENTS
F.A.S. 575 - C.H. 7
(N. PETERSBURG ROAD)
OVER LATIMORE CREEK
SECTION 01-00050-00-BR
MENARD COUNTY