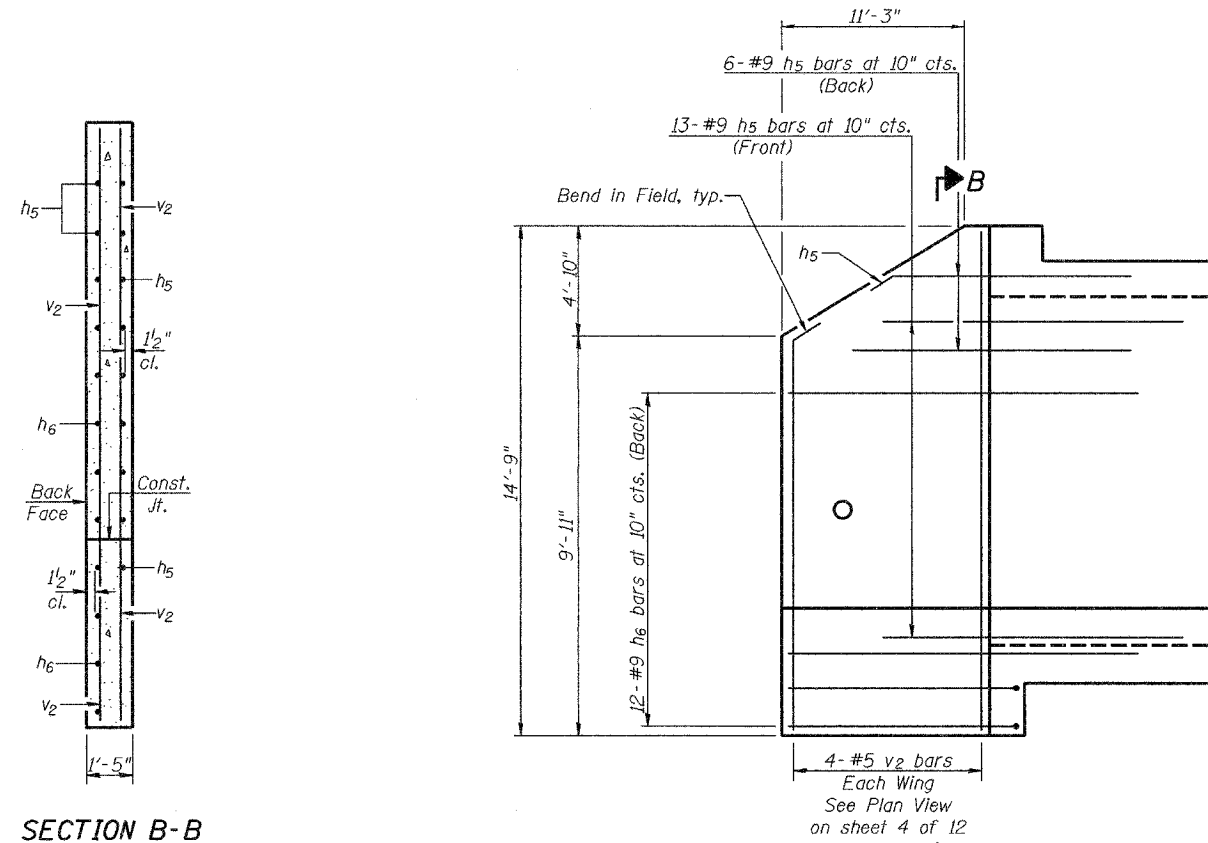


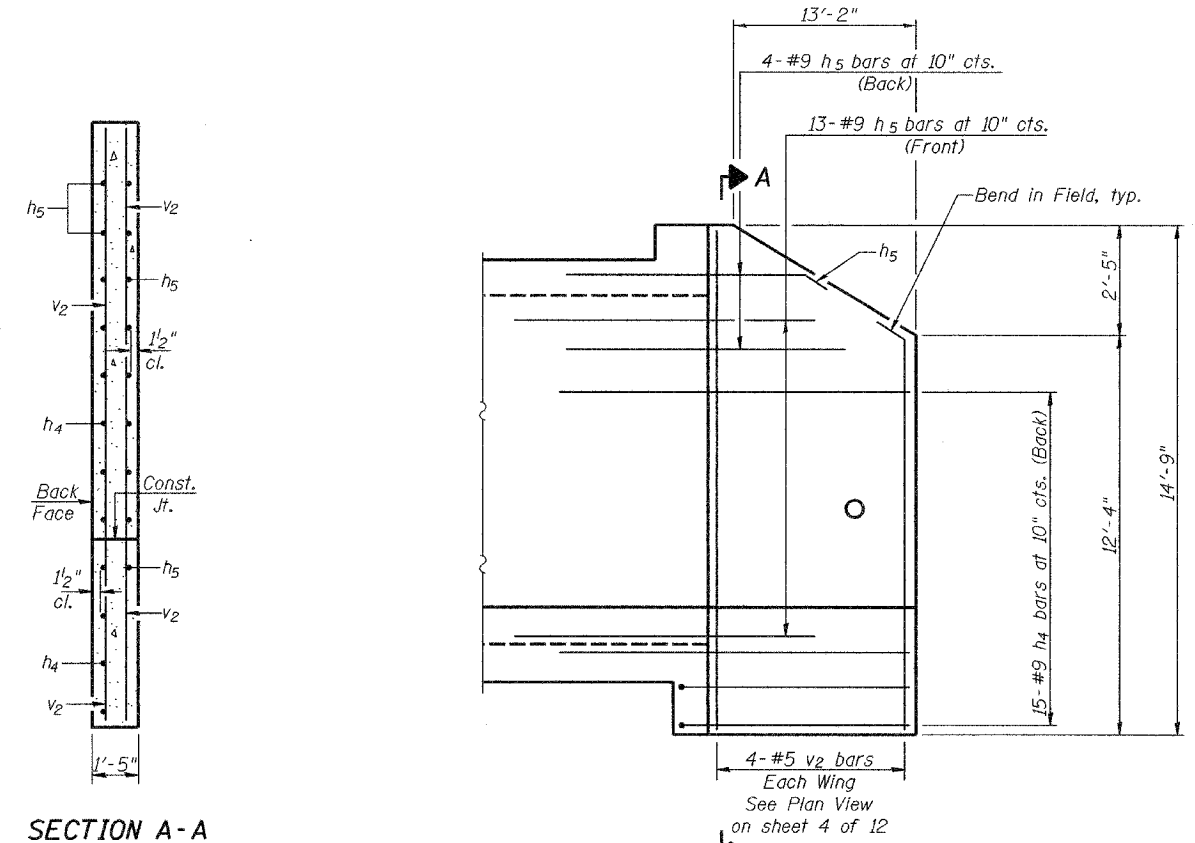
STATE OF ILLINOIS
DEPARTMENT OF TRANSPORTATION

ROUTE NO.	SECTION	COUNTY	TOTAL SHEETS	SHEET NO.
F.A.U. 328	109 BR-1	WHITE	21	17
FED. ROAD DIST. NO. 7		ILLINOIS	FED. AID PROJECT-	

Contract #94434



ELEVATION
S.E. & N.W. Wingwalls



ELEVATION
S.W. & N.E. Wingwalls

DESIGNED	Patrick M. Petrone
CHECKED	Phillip R. Litchfield
DRAWN	R. Sommer
CHECKED	PMP/PRL

EXAMINED	November 10, 2005	Thomas J. Domagala
PASSED		Ralph E. Anderson

Notes:
See sheet 7 of 12 for Bill of Material.

CULVERT DETAILS
F.A.P. RT. 328 SEC. 109B-1
WHITE COUNTY
STATION 74+70.00
STRUCTURE No. 097-2012