

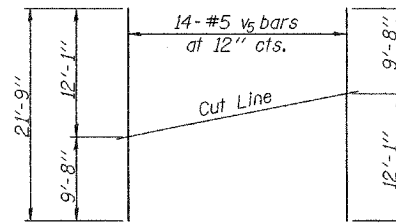
STATE OF ILLINOIS
DEPARTMENT OF TRANSPORTATION

ROUTE NO.	SECTION	COUNTY	TOTAL SHEETS	SHEET
F.A.U. 328	109 BR-1	WHITE	21	18
FED. ROAD DIST. NO. 7	ILLINOIS	FED. AID PROJECT		

SHEET NO. 9

12 SHEETS

Contract #94434



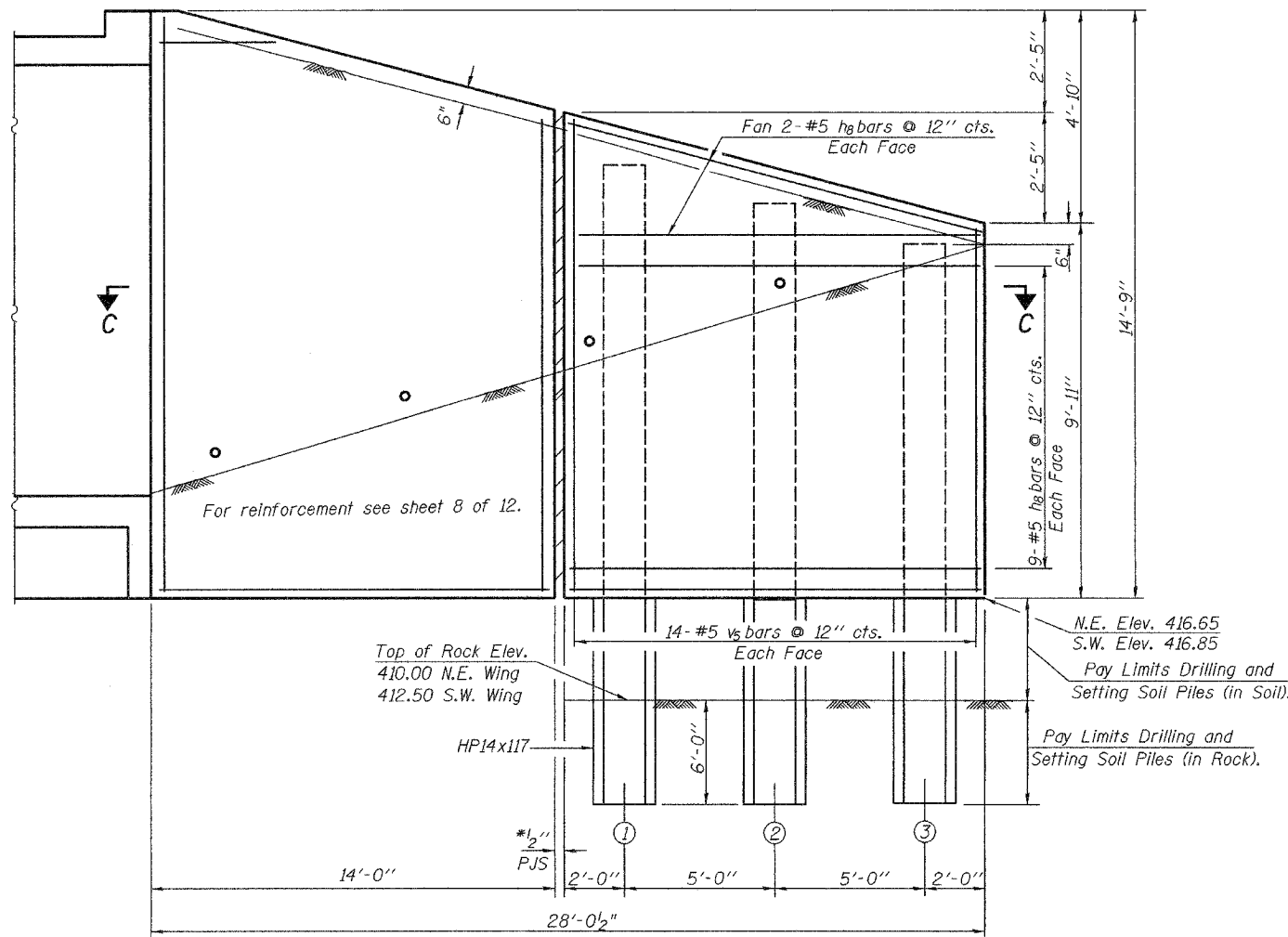
FIELD CUTTING DIAGRAM
Order #5 bars full length. Cut as shown and use remainder of bars in opposite face.

CONSTRUCTION SEQUENCE FOR WING WALLS

- 1) Construct horizontal cantilever wall.
- 2) Drill holes for soldier piles.
- 3) Set Soldier Piles and place concrete.
- 4) Place timber lagging for soldier pile wall.
- 5) Place geocomposite wall drain against the front face of timber lagging.
- 6) Place back fill behind wall.
- 7) Weld shear studs to soldier piles, place reinforcement bars and formwork, pour concrete wall.
- 8) Place fill and riprap at front face of the wall.

BILL OF MATERIAL

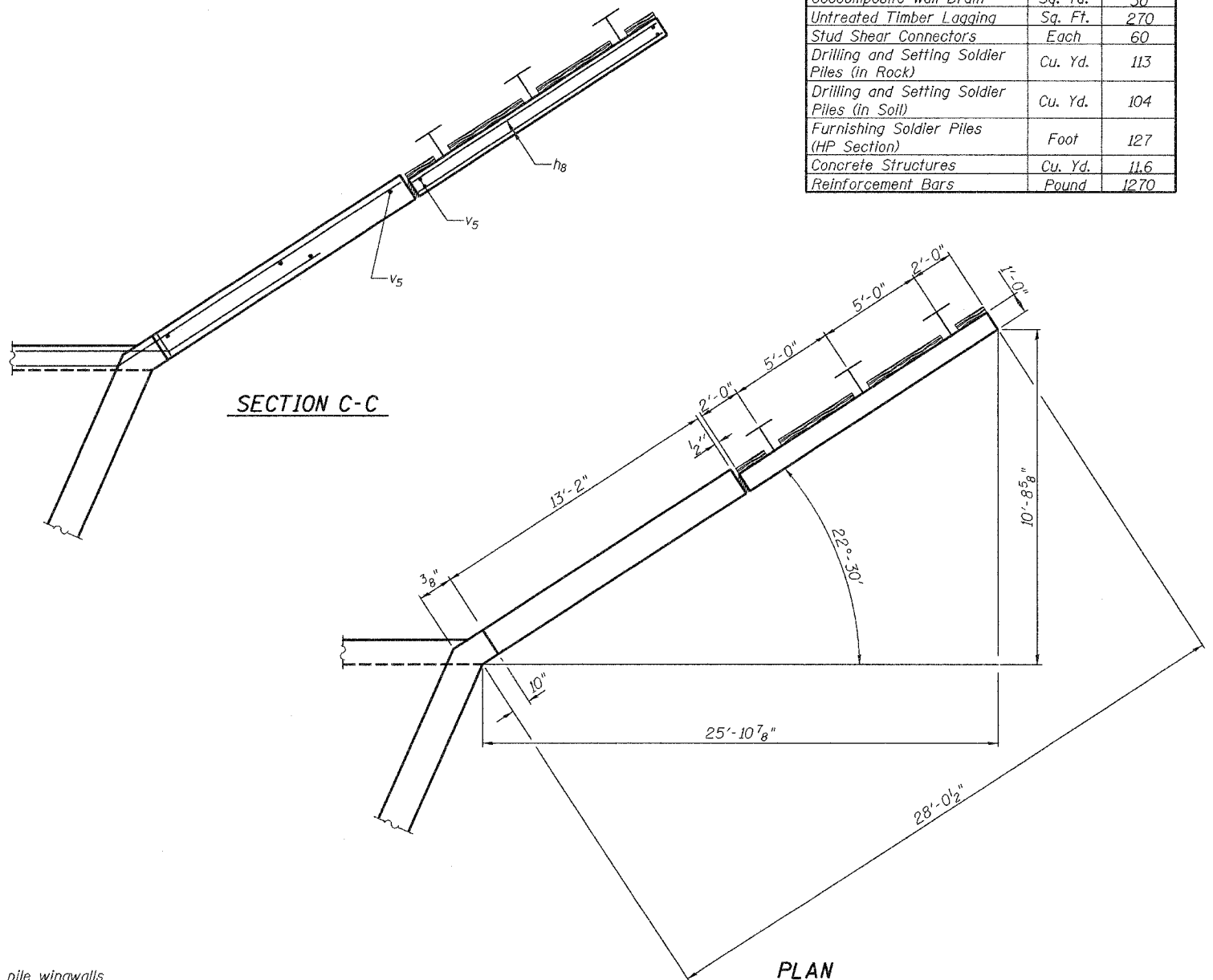
Bar	No.	Size	Length	Shape
h ₈	44	#5	13'-9"	—
v ₅	28	#5	21'-9"	—
Geocomposite Wall Drain		Sq. Yd.	30	
Untreated Timber Lagging		Sq. Ft.	270	
Stud Shear Connectors		Each	60	
Drilling and Setting Soldier Piles (in Rock)		Cu. Yd.	113	
Drilling and Setting Soldier Piles (in Soil)		Cu. Yd.	104	
Furnishing Soldier Piles (HP Section)		Foot	127	
Concrete Structures		Cu. Yd.	11.6	
Reinforcement Bars		Pound	1270	



ELEVATION

S.W. & N.E. Wingwall

*Cost included with Concrete Structures



SECTION C-C

PLAN

Notes:
The cost of concrete for soldier pile wingwalls is included with Concrete Structures.
The embankment material shall be placed against the rear face of timber lagging for the soldier pile wingwall prior to pouring the concrete facing.
When compacting the fill behind the wingwalls, the Contractor shall use manually operated equipment as approved by the Engineer.

SOLDIER PILE DETAILS
F.A.P. RT. 328 SEC. 109B-1
WHITE COUNTY
STATION 74+70.00
STRUCTURE No. 097-2012

DESIGNED	Patrick M. Petrone
CHECKED	Phillip R. Litchfield
DRAWN	R. Sommer
CHECKED	PMP/PRL

EXAMINED	November 10, 2005
PASSED	Thomas J. Domagala ENGINEER OF BRIDGE DESIGN
	Ralph E. Anderson ENGINEER OF BRIDGES AND STRUCTURES