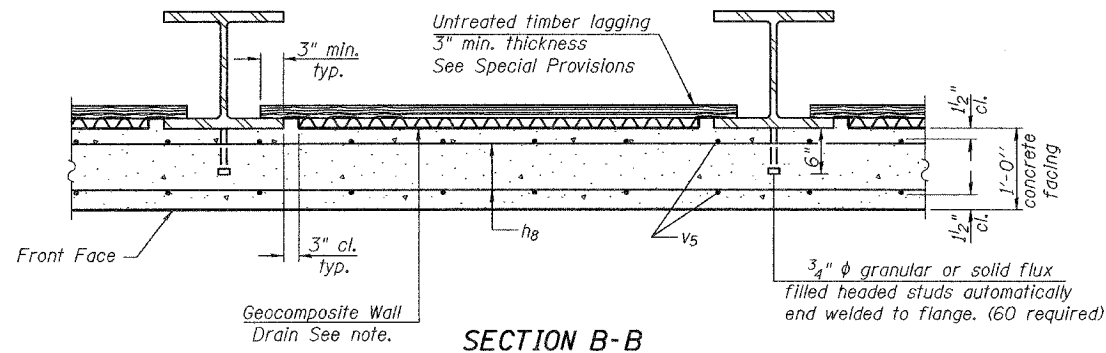


STATE OF ILLINOIS
DEPARTMENT OF TRANSPORTATION

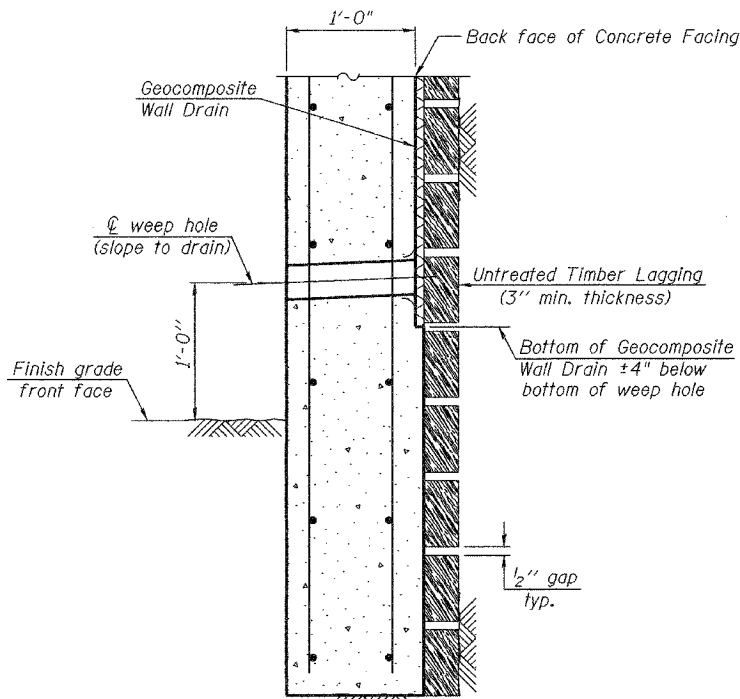
ROUTE NO.	SECTION	COUNTY	TOTAL SHEETS	SHEET NO.	SHEET NO. 10 12 SHEETS
F.A.U. 328	109 BR-1	WHITE	21	19	
FED. ROAD DIST. NO. 7		ILLINOIS		FED. AID PROJECT-	

Contract #94434

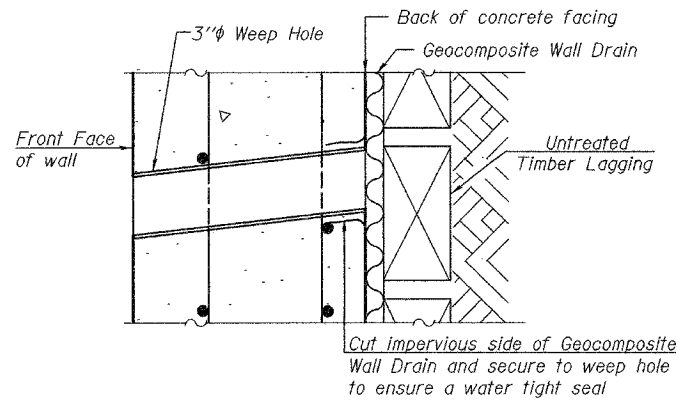


SECTION B-B

Note: Geocomposite Wall Drain shall not have a thickness greater than 3/4".



WEEP HOLE DRAIN



WEEP HOLE DRAIN DETAIL

Cost for the weep hole drain and the connection to the geocomposite wall drain are included with Concrete Structures.

NORTH EAST WINGWALL

Pile #	Top Elev.	Tip Elev.	*Length (ft.)
1	427.13	404.00	23.13
2	426.27	404.00	22.27
3	425.41	404.00	21.41

SOUTH WEST WINGWALL

Pile #	Top Elev.	Tip Elev.	*Length (ft.)
1	427.33	406.50	20.83
2	426.47	406.50	19.97
3	425.61	406.50	19.11

TABLE A

*The length of HP14x117 have been rounded to the nearest 6".

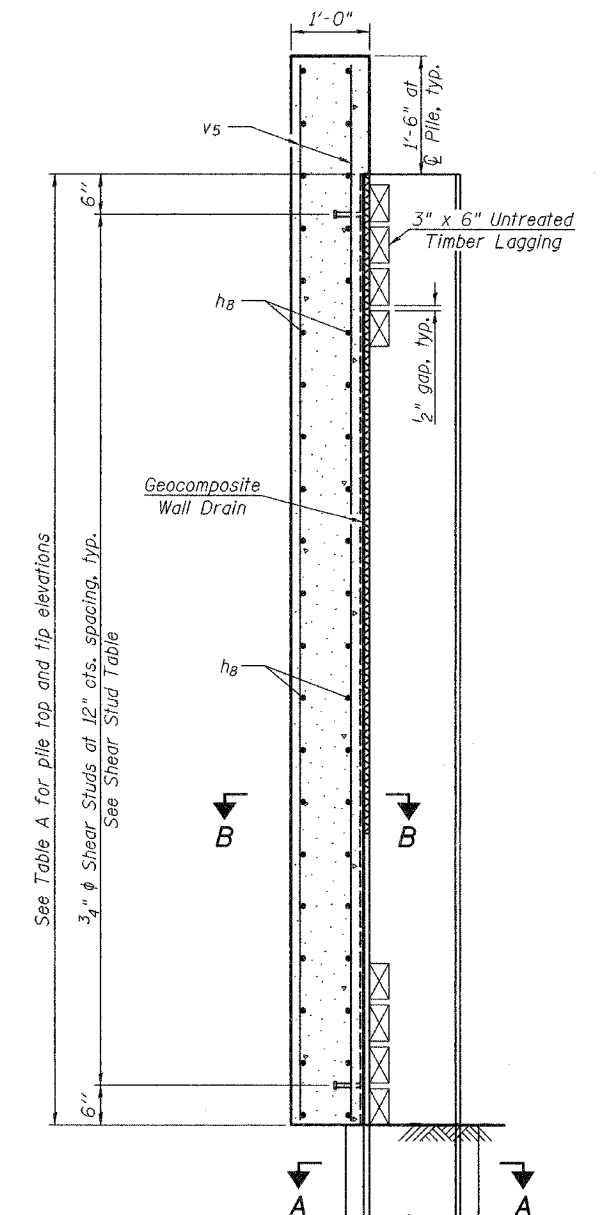
NORTH EAST SOLDIER PILE

Pile #	# Studs/Pile
1	11
2	10
3	9

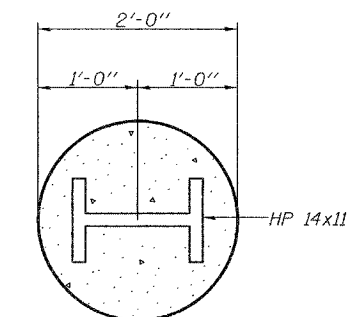
SOUTH WEST SOLDIER PILE

Pile #	# Studs/Pile
1	11
2	10
3	9

SHEAR STUD TABLE



SECTION THRU SOLDIER PILE WALL



SECTION A-A

SOLDIER PILE DETAILS
F.A.P. RT. 328 SEC. 109B-1
WHITE COUNTY
STATION 74+70.00
STRUCTURE No. 097-2012

DESIGNED	Patrick M Petrone
CHECKED	Phillip R Litchfield
DRAWN	R. Sommer
CHECKED	PMP/PRL

EXAMINED	November 10 2005
PASSED	Thomas J. Demagalaki ENGINEER OF BRIDGE DESIGN
	Ralph E. Anderson ENGINEER OF BRIDGES AND STRUCTURES