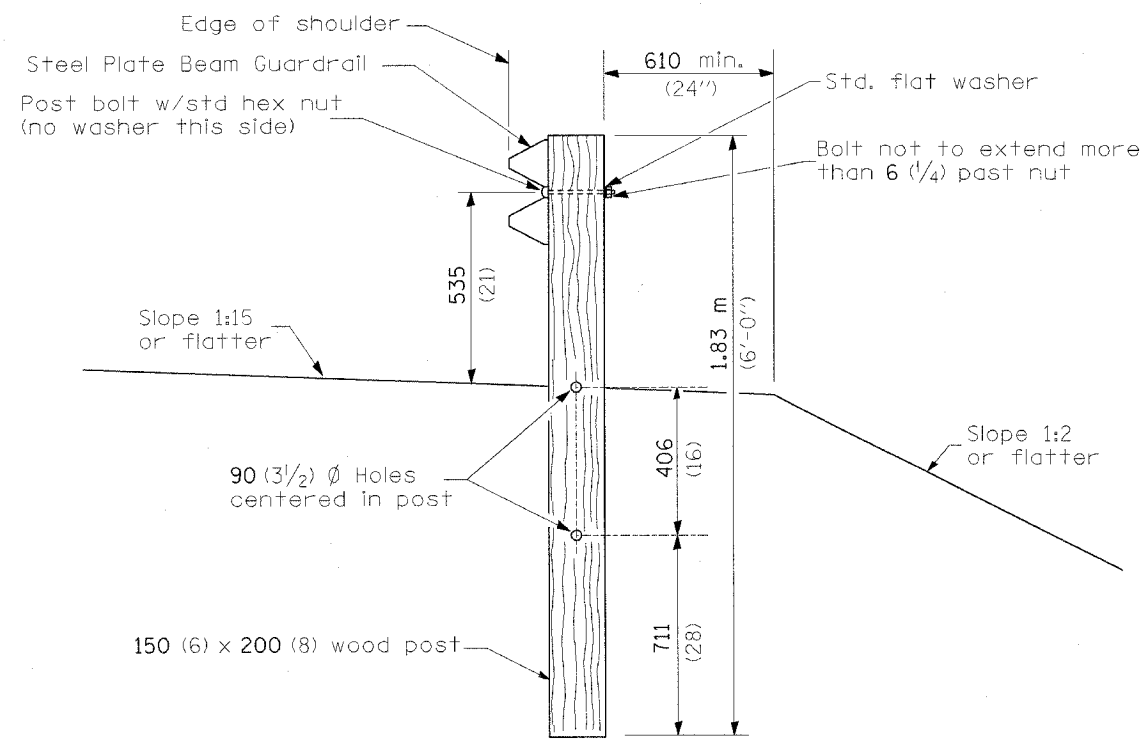


Notes:

1. Construct according to Standard 631011 for Traffic Barrier Terminal Type 2, except delete end section and splice into radius guardrail.
2. Steel Plate Beam Guardrail Type A, Type B, or Traffic Barrier Terminal as specified.
3. For the 2.59 m (8'-6") radius, the rail is not bolted to the post located at the midpoint of the curve.



SECTION A-A

PLAN

INSTALLATION CHARACTERISTICS PER DESIGN RADIUS (R)			
R	NO. OF WOOD POSTS	X	Y
2.59 (8'-6")	5 (Note 3)	7.6 m (25')	4.6 (15')
5.18 (17'-0")	6	9.1 m (30')	4.6 (15')
7.77 (25'-6")	8	12.2 m (40')	6.1 (20')
10.67 (35'-0")	11	15.2 m (50')	6.1 (20')

GENERAL NOTES

All slope ratios are expressed as units of vertical displacement to units of horizontal displacement (V:H).  
All dimensions are in millimeters (inches) unless otherwise shown.

REVISIONS		ILLINOIS DEPARTMENT OF TRANSPORTATION	
NAME	DATE	<p align="center"><b>STEEL PLATE BEAM GUARDRAIL, SHORT RADIUS</b></p> <p>SCALE: VERT. _____ HORIZ. _____</p> <p>DATE _____ DRAWN BY _____ CHECKED BY _____</p>	

PLOT DATE = 10/27/2005  
FILE NAME = BFILEL9  
PLOT SCALE = #SCALE#  
USER NAME = dbrt001