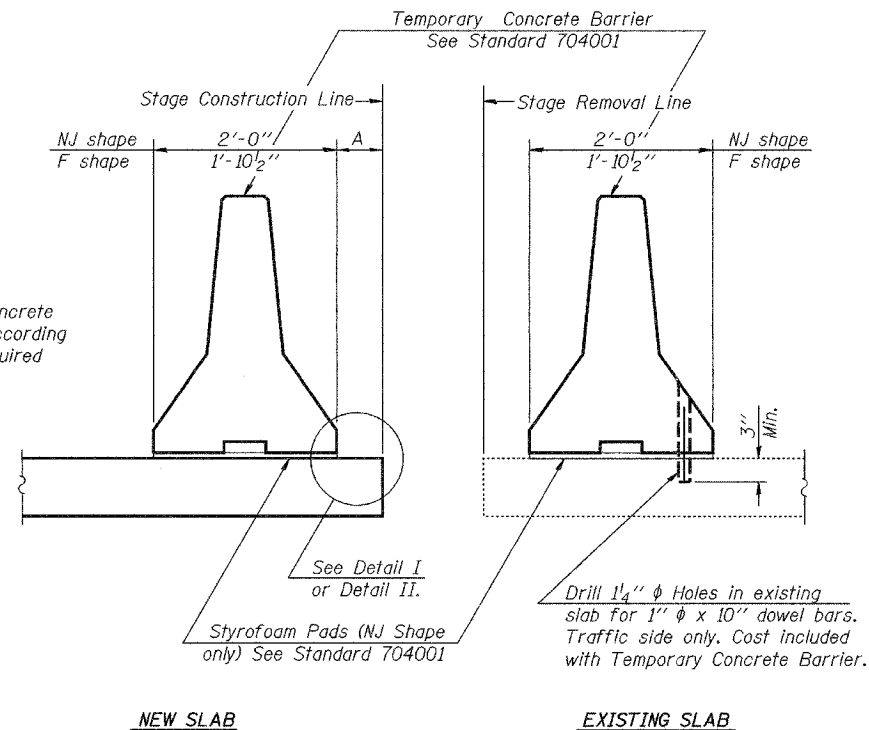


STATE OF ILLINOIS  
DEPARTMENT OF TRANSPORTATION

ROUTE NO.	SECTION	COUNTY	TOTAL SHEETS	SHEET NO.	SHEET NO. 3
F.A.P. 781	108B-1	CRAWFORD	38	12	16 SHEETS
FED. ROAD DIST. NO. 7	ILLINOIS	FED. AID PROJECT-			

Contract #94656

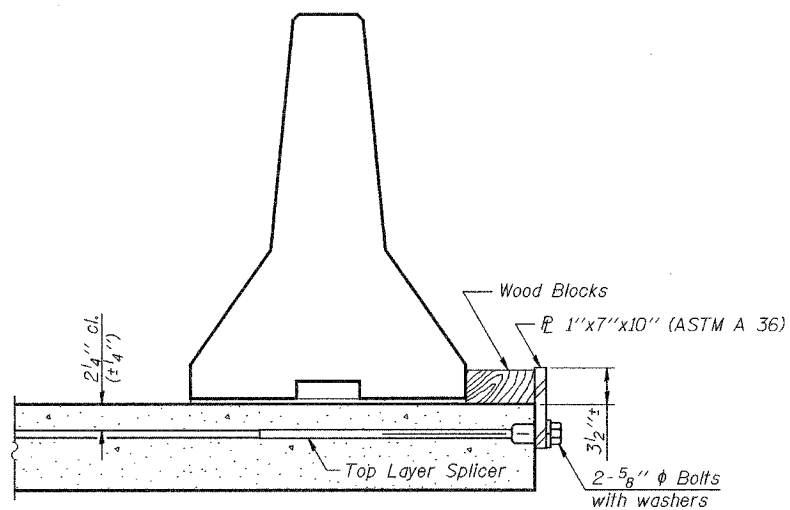


When "A" is 3'-6" or less, the temporary concrete barrier shall be anchored to the new slab according to Detail I or Detail II. No anchorage is required when "A" is greater than 3'-6".

**NOTES**

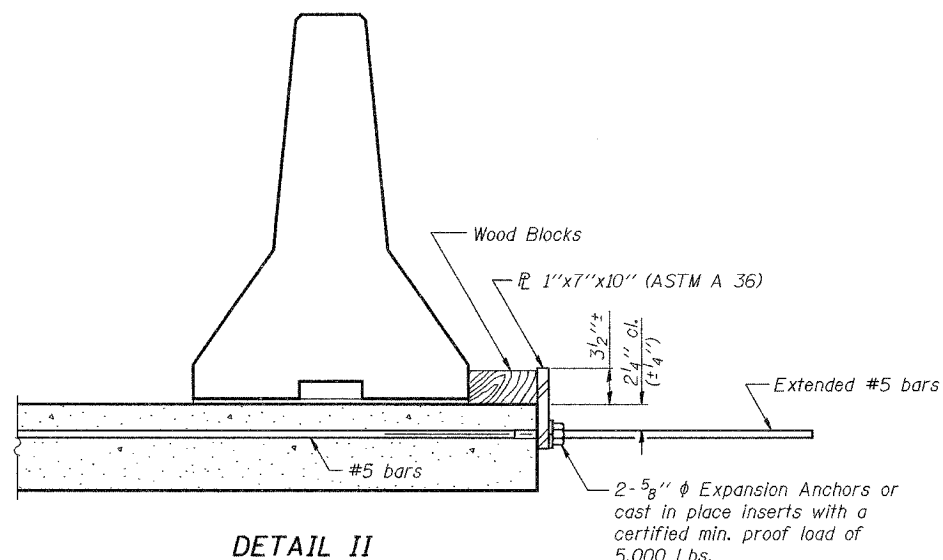
- Detail I - With Bar Splicer or Couplers:**  
Connect one (1) 1"x7"x10" steel PL to the top layer of couplers with 2-5/8" φ bolts screwed to coupler at approximate C of each barrier panel.
- Detail II - With Extended Reinforcement Bars:**  
Connect one (1) 1"x7"x10" steel PL to the concrete slab with 2-5/8" φ Expansion Anchors or cast in place inserts spaced between the top layer of reinforcement at approximate C of each barrier panel.
- Cost of anchorage is included with Temporary Concrete Barrier.

**SECTION THRU SLAB**



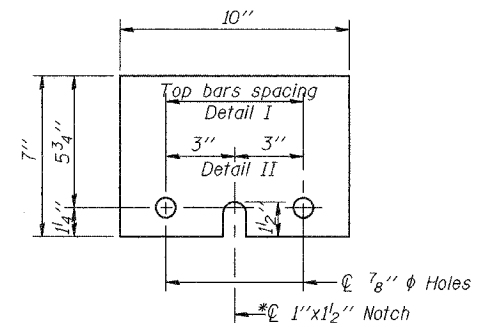
**DETAIL I**

The 1"x7"x10" Plate shall not be removed until Stage II Construction forms and reinforcement bars are in place.



**DETAIL II**

The 1"x7"x10" Plate shall not be removed until Stage II Construction forms and all reinforcement bars are in place and the concrete is ready to be placed.



**PL 1"x7"x10"**

\*Required only with Detail II

DESIGNED	W. Beisner
CHECKED	Chi-Cheung Chau
DRAWN	R. Dalsin
CHECKED	C.C./S.J.B./S.M.R.

EXAMINED	December 13 2005
PASSED	Thomas J. Demagala ENGINEER OF BRIDGE DESIGN
	Ralph E. Anderson ENGINEER OF BRIDGES AND STRUCTURES

R-27

10-22-04

**TEMPORARY CONCRETE BARRIER  
FOR STAGE CONSTRUCTION  
F.A.P. ROUTE 781 - SECTION 108B-1  
CRAWFORD COUNTY  
STATION 545+80.00  
STRUCTURE NO. 017-0030**