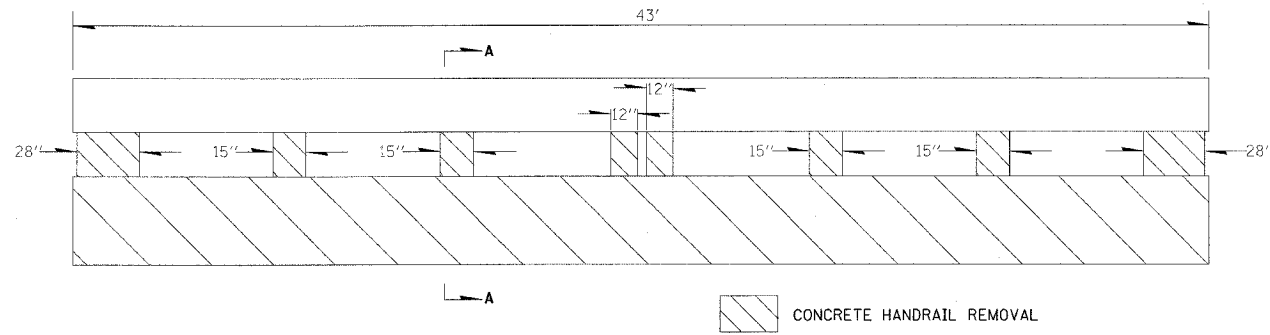


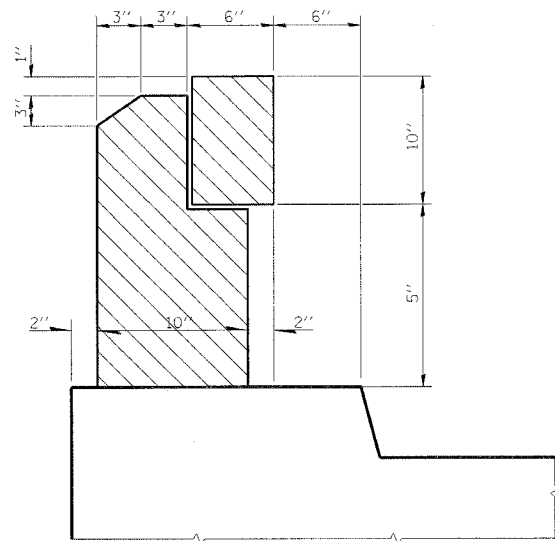
F.A.P. RTE.	SECTION	COUNTY	TOTAL SHEETS	SHEET NO.
855	118-1	WHITE	25	7
STA.		TO STA.		
FED. ROAD DIST. NO.		ILLINOIS	FED. AID PROJECT	

GDAS

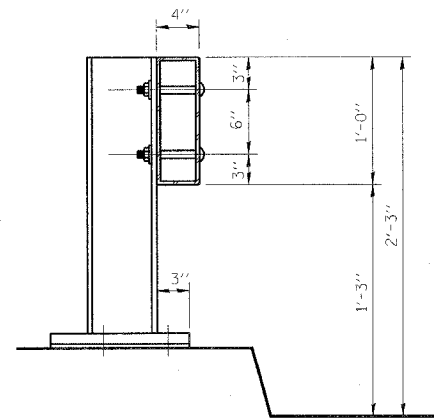


GUARDRAIL SCHEDULE

LOCATION	TEMPORARY BRIDGE RAIL FOOT	TRAFFIC BARRIER TERMINAL, TYPE 5A EACH	TRAFFIC BARRIER TERMINAL TYPE 1, SPECIAL (TANGENT) EACH	STEEL PLATE BEAM GUARD RAIL, ATTACHED TO STRUCTURES FOOT	STEEL PLATE BEAM GUARD RAIL, TYPE A FOOT	STEEL PLATE BEAM GUARD RAIL, TYPE B FOOT	TRAFFIC BARRIER TERMINAL, TYPE 2 EACH	REMOVE AND RE-ERECT TRAFFIC BARRIER TERMINAL, TYPE 1 SPECIAL, TANGENT EACH	GUARDRAIL REMOVAL FOOT	TERMINAL MARKERS - DIRECT APPLIED EACH	REFLECTOR MARKERS, TYPE A EACH
STAGE I											
SE CORNER OVER BRIDGE	50.0	1.0	1.0			212.5				1.0	
SW CORNER OVER BRIDGE		1.0	1.0							1.0	
NE CORNER OVER BRIDGE			1.0	39.5	112.5					1.0	1.0
NW CORNER OVER BRIDGE			1.0		112.5					1.0	1.0
STAGE II											
SE CORNER OVER BRIDGE				39.5	12.5	12.5	1.0		63.0		1.0
SW CORNER OVER BRIDGE					125.0			1.0	13.0		1.0
TOTALS=	50.0	2.0	4.0	79.0	462.5	12.5	1.0	1.0	76.0	4.0	6.0



SECTION A-A



TEMPORARY BRIDGE RAIL DETAIL

PLOT DATE = 10/26/2005
 FILE NAME = BRILEL
 PLOT SCALE = ESCALEL
 USER NAME = district

REVISIONS	
NAME	DATE

ILLINOIS DEPARTMENT OF TRANSPORTATION
**GUARDRAIL DETAILS
 AND
 SCHEDULES**

SCALE: VERT.
 HORIZ.
 DATE

DRAWN BY
 CHECKED BY