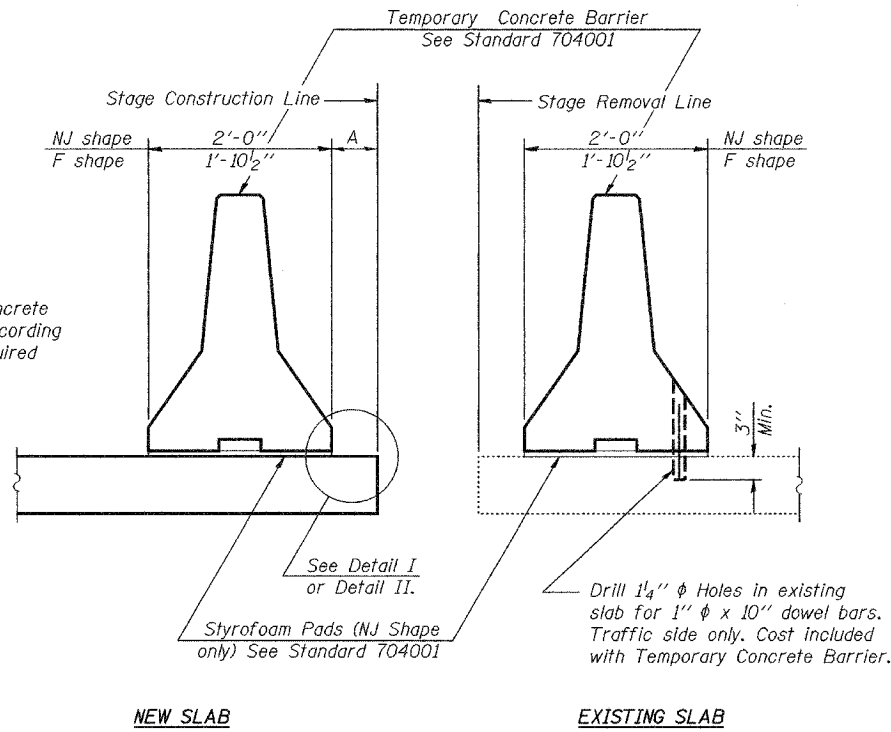


STATE OF ILLINOIS
DEPARTMENT OF TRANSPORTATION

ROUTE NO.	SECTION	COUNTY	TOTAL SHEETS	SHEET	SHEET NO. 3
FAP 855	11B-1	WHITE	25	13	8 SHEETS
FED. ROAD DIST. NO. 7	ILLINOIS	FED. AID PROJECT	Contract #94771		



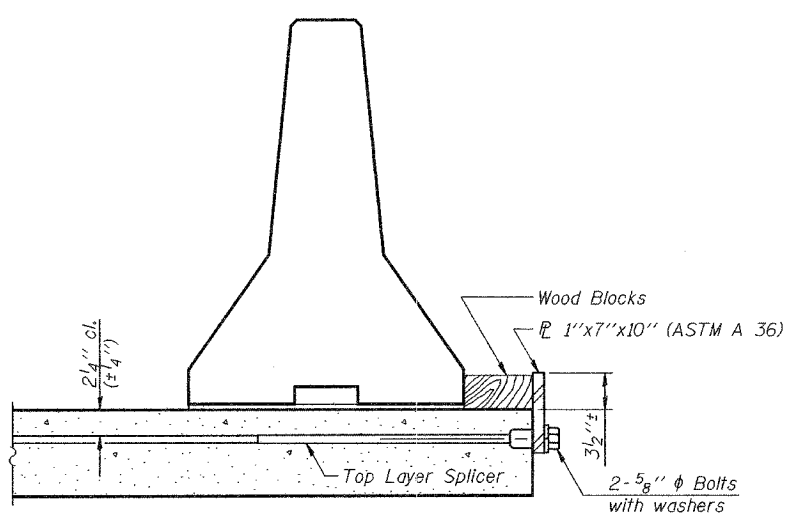
SECTIONS THRU SLAB

NOTES

Detail I - With Bar Splicer or Couplers:
Connect one (1) 1"x7"x10" steel \bar{P} to the top layer of couplers with 2-5/8" ϕ bolts screwed to coupler at approximate \bar{C} of each barrier panel.

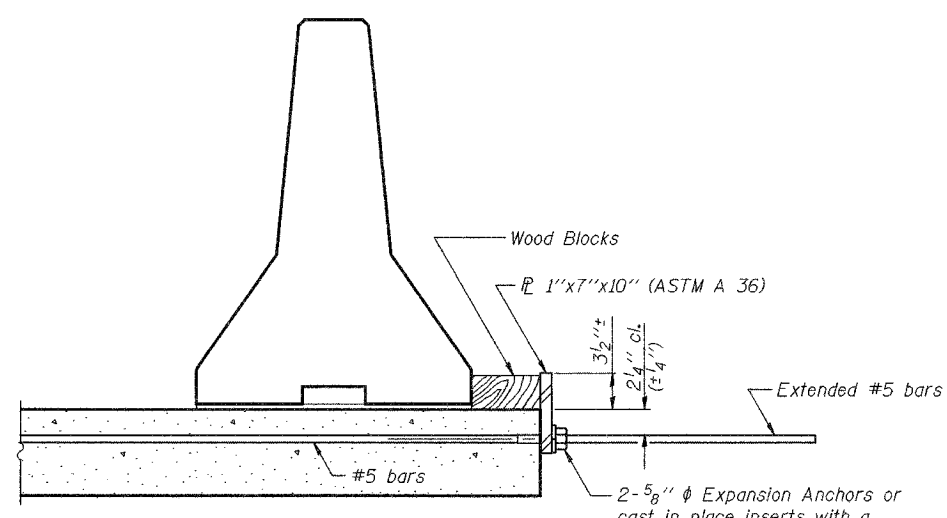
Detail II - With Extended Reinforcement Bars:
Connect one (1) 1"x7"x10" steel \bar{P} to the concrete slab with 2-5/8" ϕ Expansion Anchors or cast in place inserts spaced between the top layer of reinforcement at approximate \bar{C} of each barrier panel.

Cost of anchorage is included with Temporary Concrete Barrier.



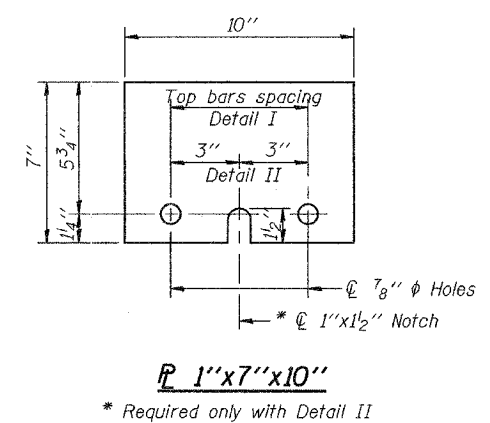
DETAIL I

The 1"x7"x10" Plate shall not be removed until Stage II Construction forms and reinforcement bars are in place.



DETAIL II

The 1"x7"x10" Plate shall not be removed until Stage II Construction forms and all reinforcement bars are in place and the concrete is ready to be placed.



DESIGNED	PMP
CHECKED	PRL
DRAWN	h.t. duong
CHECKED	PMP/PRL

November 16, 2005

EXAMINED *Thomas J. Demagala*
ENGINEER OF BRIDGE DESIGN

PASSED *Ralph E. Anderson*
ENGINEER OF BRIDGES AND STRUCTURES

R-27 10-22-04

TEMPORARY CONCRETE BARRIER
FOR STAGE CONSTRUCTION
F.A.P. RT. 855 SECTION 11B-1
WHITE COUNTY
STATION 283+14.49
STRUCTURE NO. 097-2013