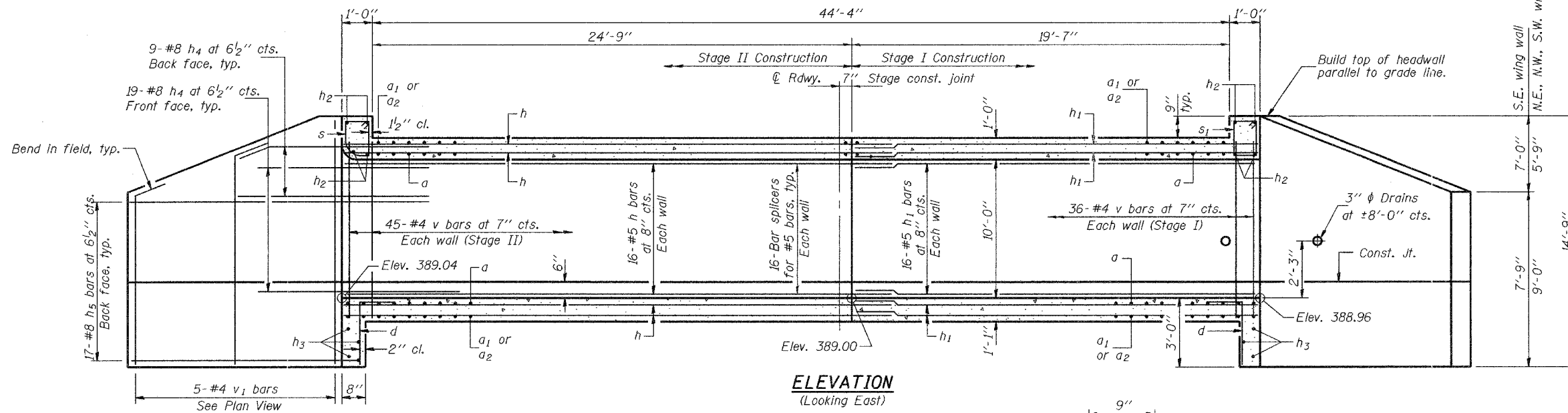


STATE OF ILLINOIS  
DEPARTMENT OF TRANSPORTATION

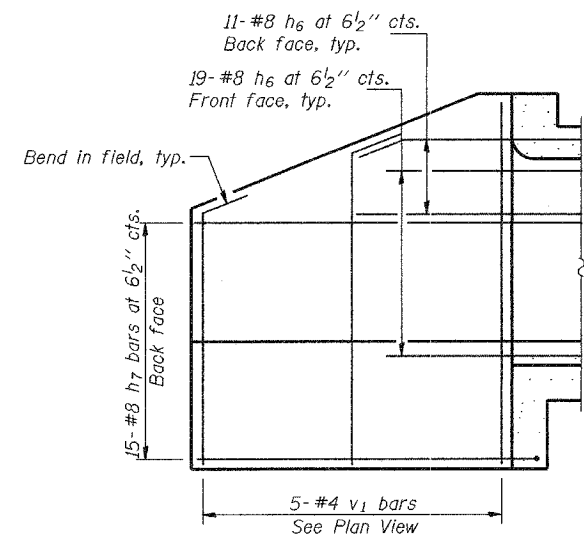
ROUTE NO.	SECTION	COUNTY	SHEET	NO.	SHEET NO.
FAP 855	IIB-1	WHITE	25	16	8 SHEETS
FED. ROAD DIST. NO. 7		ILLINOIS		FED. AID PROJECT-	

Contract #94771

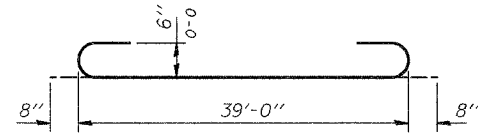


**ELEVATION**  
(Looking East)

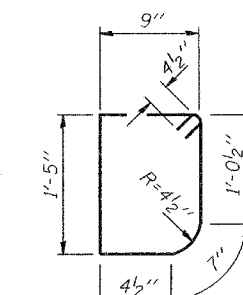
**N.E., N.W., S.W. WING WALLS**



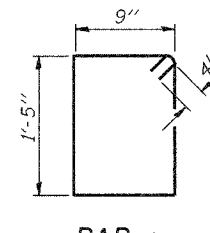
**ELEVATION VIEW**  
**S.E. WING WALL**



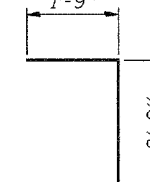
**BAR a**



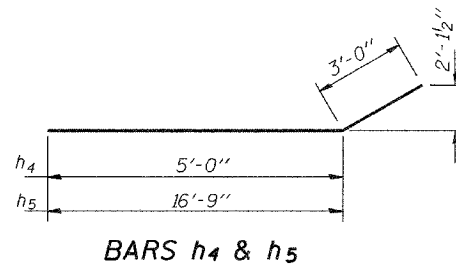
**BAR s**



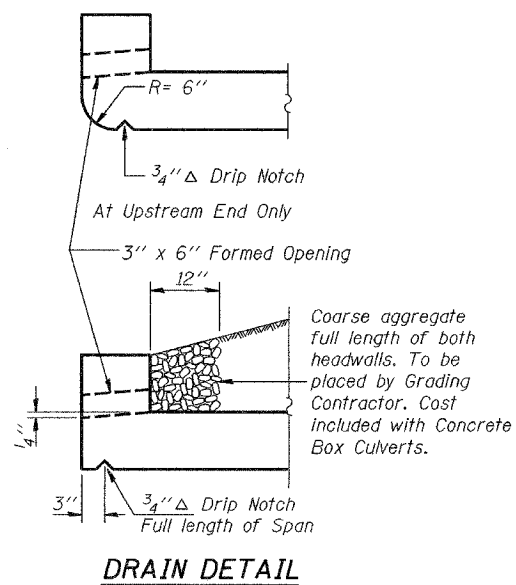
**BAR s1**



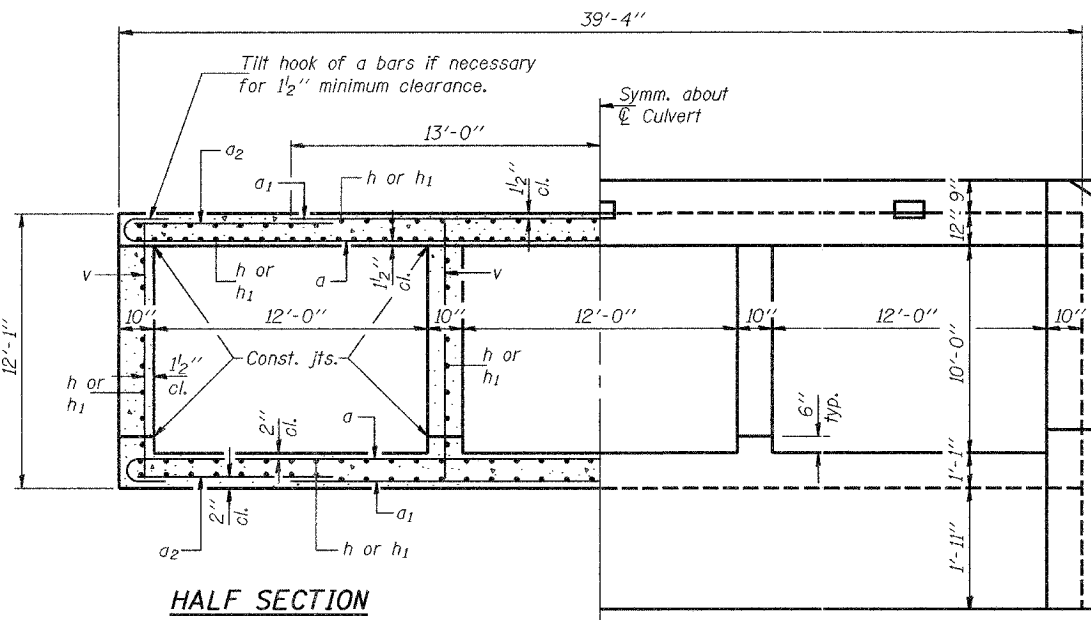
**BAR d**



**BARS h4 & h5**

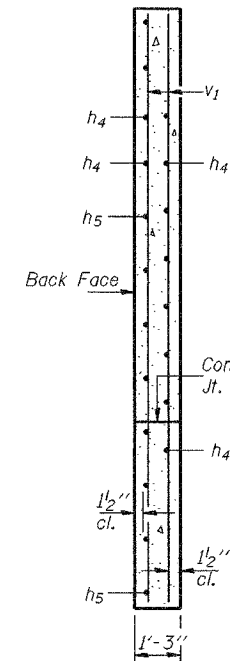


**DRAIN DETAIL**



**HALF SECTION**  
**THRU BARRELS**

**HALF END ELEVATION**



**SECTION A-A**

**BILL OF MATERIAL**

Bar	No.	Size	Length	Shape
a	166	#6	40'-4"	U
a1	144	#6	26'-0"	—
a2	144	#5	8'-10"	—
d	80	#4	4'-6"	—
h	216	#5	25'-6"	—
h1	216	#5	20'-4"	—
h2	8	#7	39'-0"	—
h3	6	#6	39'-0"	—
h4	84	#8	8'-0"	—
h5	51	#8	19'-9"	—
h6	30	#8	8'-0"	—
h7	15	#8	19'-3"	—
s	40	#4	4'-11"	D
s1	40	#4	5'-1"	D
v	328	#4	11'-9"	—
v1	20	#4	14'-6"	—
Concrete Box Culverts			Cu. Yd.	241.2
Reinforcement Bars			Lbs.	37490

**CULVERT DETAILS**  
**F.A.P. RT. 855 SECTION IIB-1**  
**WHITE COUNTY**  
**STATION 283+14.49**  
**STRUCTURE NO. 097-2013**

DESIGNED	PMP
CHECKED	PRL
DRAWN	h.t. duong
CHECKED	PMP/PRL

November 16 2005  
EXAMINED *Thomas J. Donagale*  
PASSED *Ralph E. Anderson*  
ENGINEER OF BRIDGES AND STRUCTURES