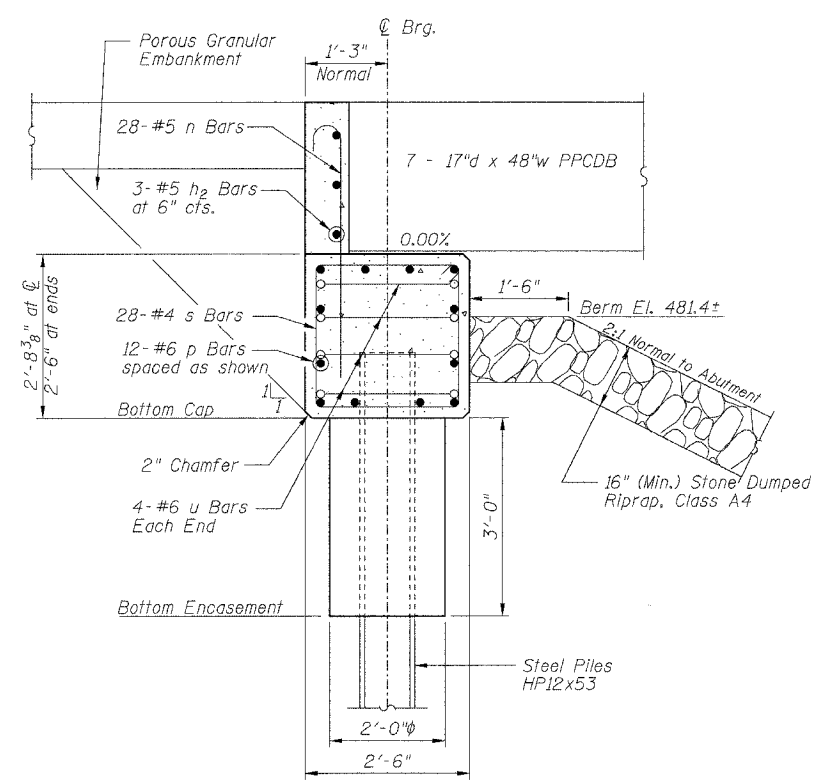
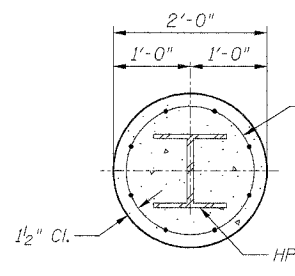


ROUTE	SECTION	COUNTY	TOTAL SHEETS	SHEET NO.
TR 272	04-18117-00-BR	FAYETTE	10	9
FED. ROAD DIST. NO. 7	ILLINOIS	FED. AID PROJECT		
CONTRACT NO. 95442				



SECTION THRU ABUTMENT



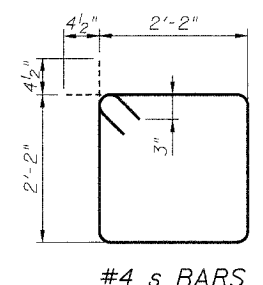
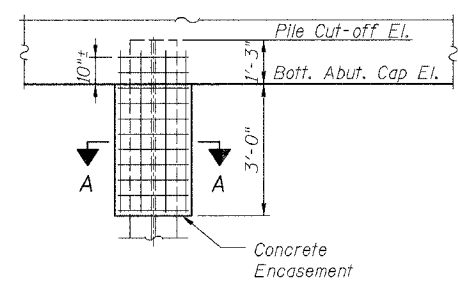
SECTION A-A

Welded wire fabric 6 x 6 - W4.0 x W4.0 weighing 58#/100 sq. ft. The cost of Excavation, Concrete Encasement & Reinforcement is incidental to the cost of furnishing piles. Forms for Encasement may be omitted when soil conditions permit.

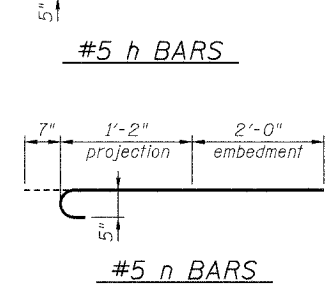
PILE ENCASEMENT DETAIL

GENERAL NOTES

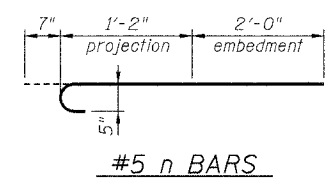
All exposed edges shall have standard 3/4" chamfer, unless otherwise noted.
 All clearances between rebar and form surface shall be 2", unless otherwise noted.
 Space reinforcement in cap to miss PPCDB dowel rods.



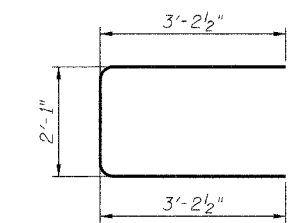
#4 s BARS



#5 h BARS



#5 n BARS



#6 u BARS

PILE DATA

Type:
 South Abutment Steel HP12x53
 North Abutment Steel HP12x53

Estimated Capacity:
 South Abutment 46 Ton
 North Abutment 46 Ton

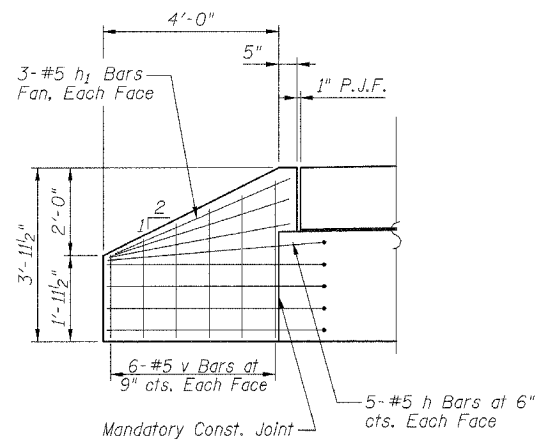
Estimated Length:
 South Abutment 43 Foot
 North Abutment 50 Foot

Number Required:
 South Abutment 5
 North Abutment 4+1 Test Pile

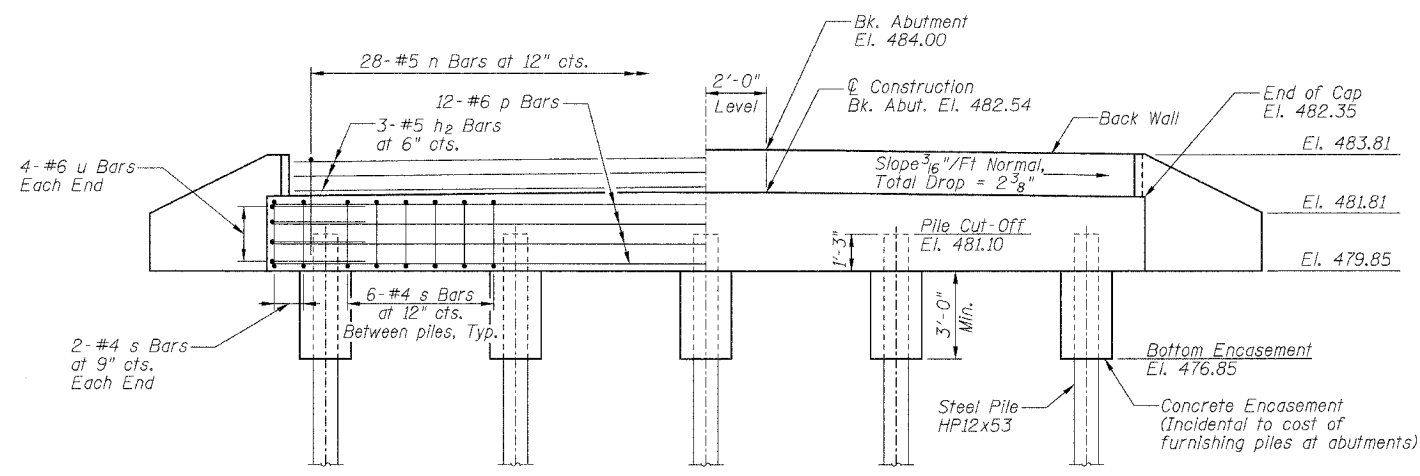
Total Estimated Length:
 (Does not include Test Pile)
 Steel HP12x53 415 Foot

Drive to 46 Ton capacity per pile

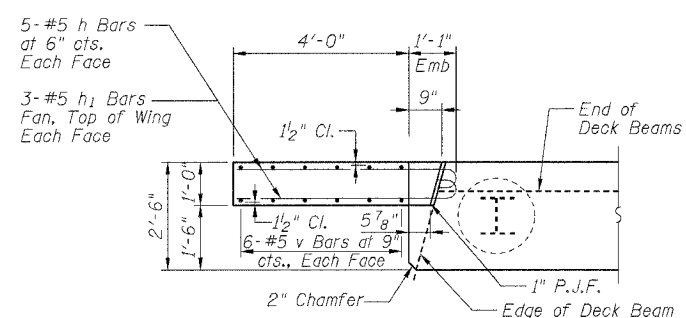
BILL OF MATERIALS				
ONE ABUTMENT w/ WINGWALLS				
Bar	No.	Size	Length	Shape
h	20	#5	5'-6"	
h1	12	#5	4'-6"	
h2	3	#5	28'-8"	
n	28	#5	3'-9"	
p	12	#6	28'-8"	
s	28	#4	9'-5"	
u	8	#6	8'-6"	
v	24	#5	3'-9"	CUT IN FIELD
Concrete Structures			Cu. Yd.	9.2
Reinforcement Bars			Pound	1280



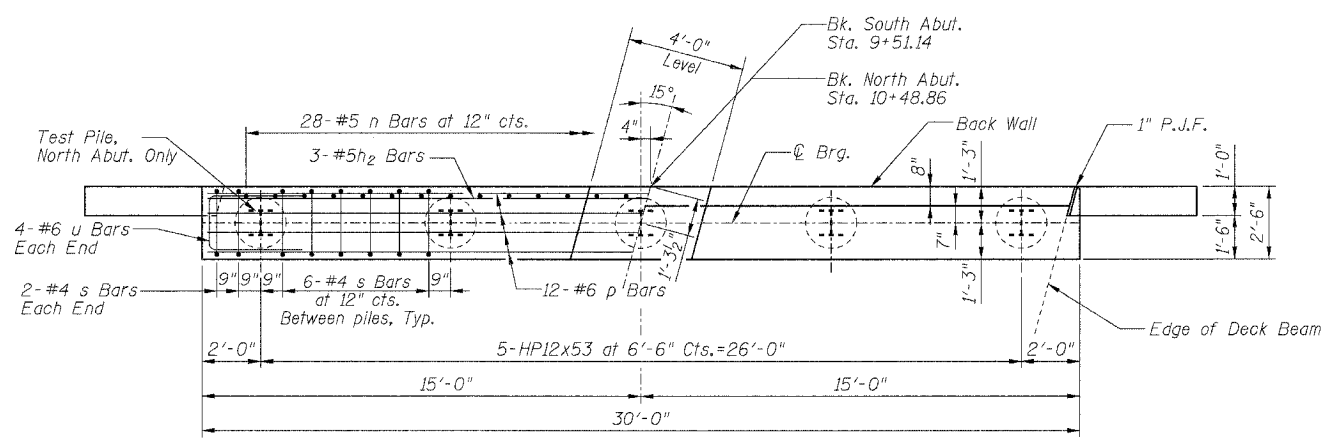
ELEVATION OF WINGWALL



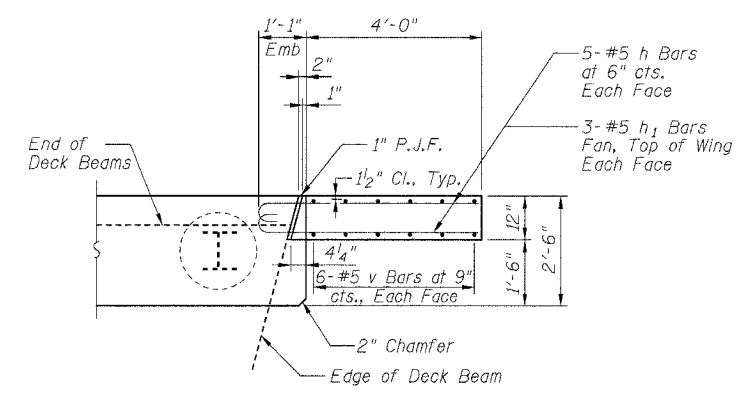
ELEVATION



WINGWALL CONNECTION DETAIL



PLAN



WINGWALL CONNECTION DETAIL

ABUTMENT DETAILS
 PROPOSED BRIDGE CARRYING
 TR 272 OVER SANDY RUN
 SECTION 04-18117-00-BR
 FAYETTE COUNTY, ILLINOIS

10/07/2005