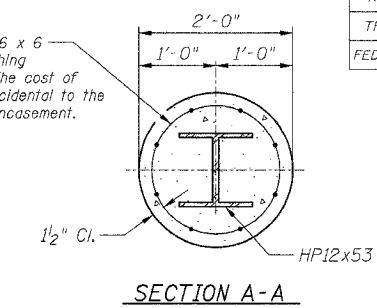


ROUTE	SECTION	COUNTY	TOTAL SHEETS	SHEET NO.
TR 272	04-18117-00-BR	FAYETTE	10	10
FED. ROAD DIST. NO. 7	ILLINOIS	FED. AID PROJECT		
CONTRACT NO. 95442				

Welded wire fabric 6 x 6  
-W4.0 x W4.0 weighing  
58#/100 sq. ft. The cost of  
Reinforcement is incidental to the  
cost of Concrete Encasement.



**PILE DATA**

Type:  
Pier No. 1 Steel HP12x53  
Pier No. 2 Steel HP12x53

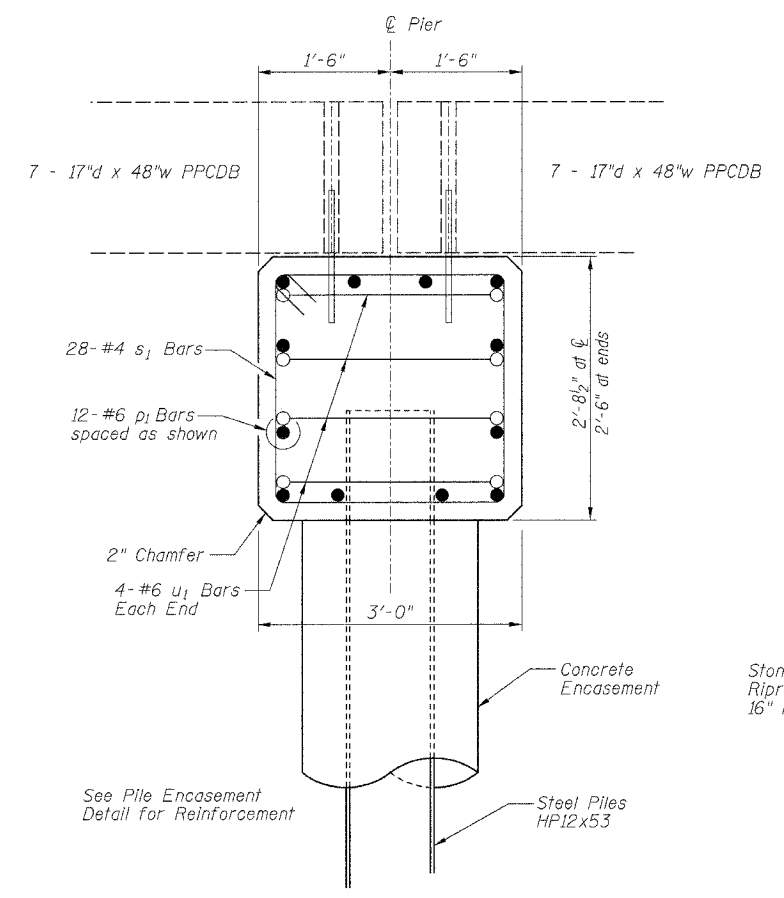
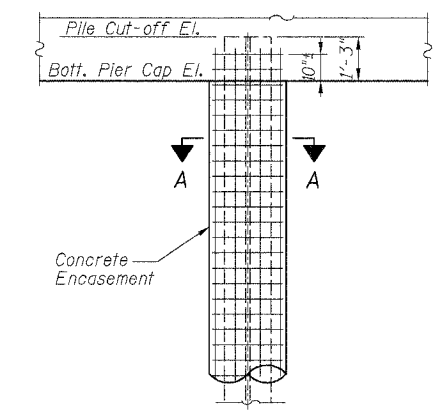
Estimated Capacity:  
Pier No. 1 76 Ton  
Pier No. 2 76 Ton

Estimated Length:  
Pier No. 1 56 Foot  
Pier No. 2 56 Foot

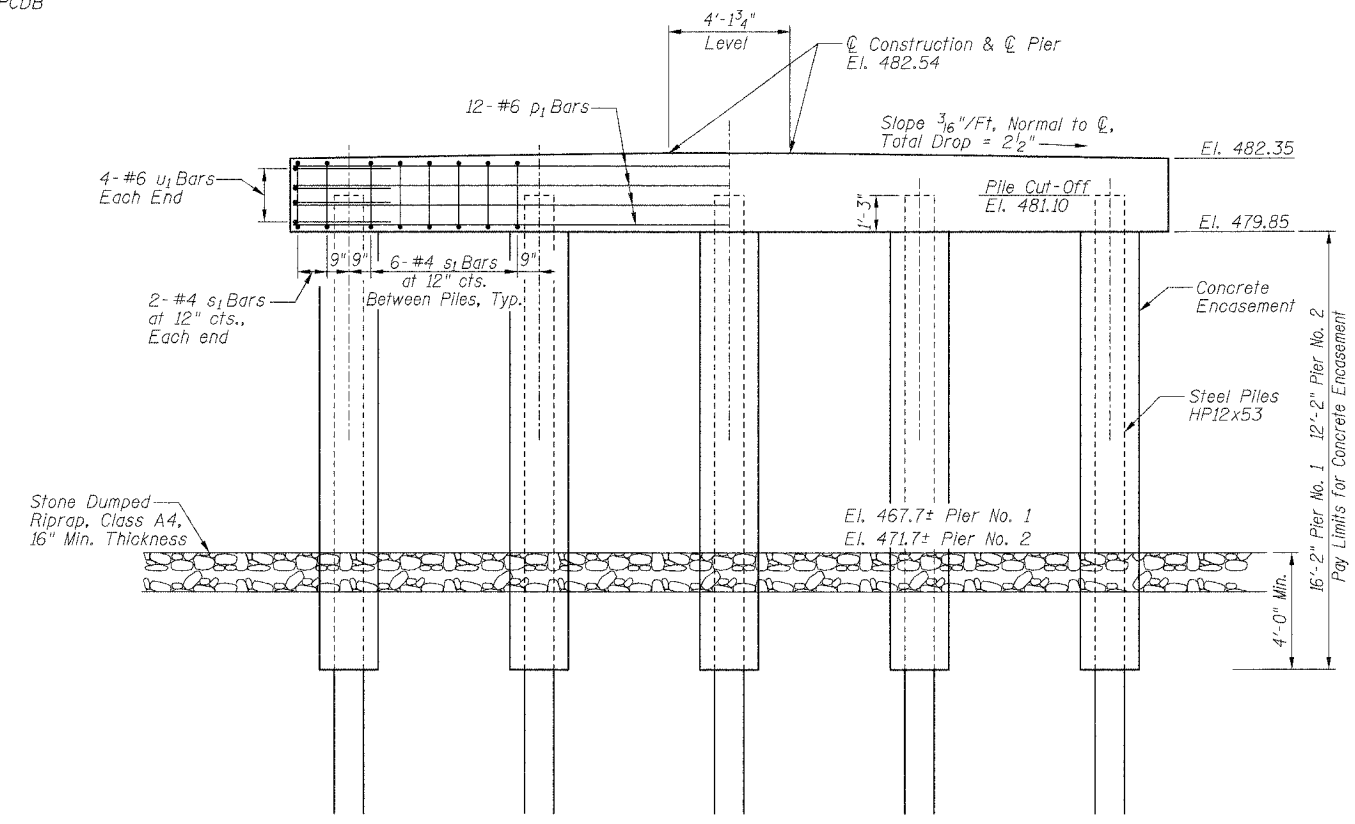
Number Required:  
Pier No. 1 5  
Pier No. 2 5

Total Estimated Length:  
Steel HP12x53 560 Foot

Drive to 76 Ton capacity per pile



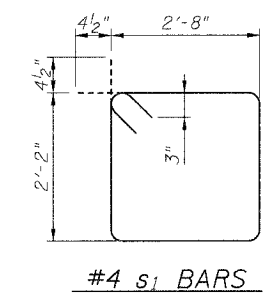
**SECTION THRU PIER**



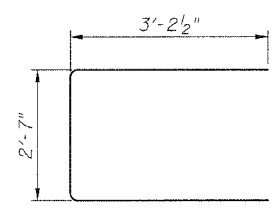
**ELEVATION**

**BILL OF MATERIALS ONE PIER**

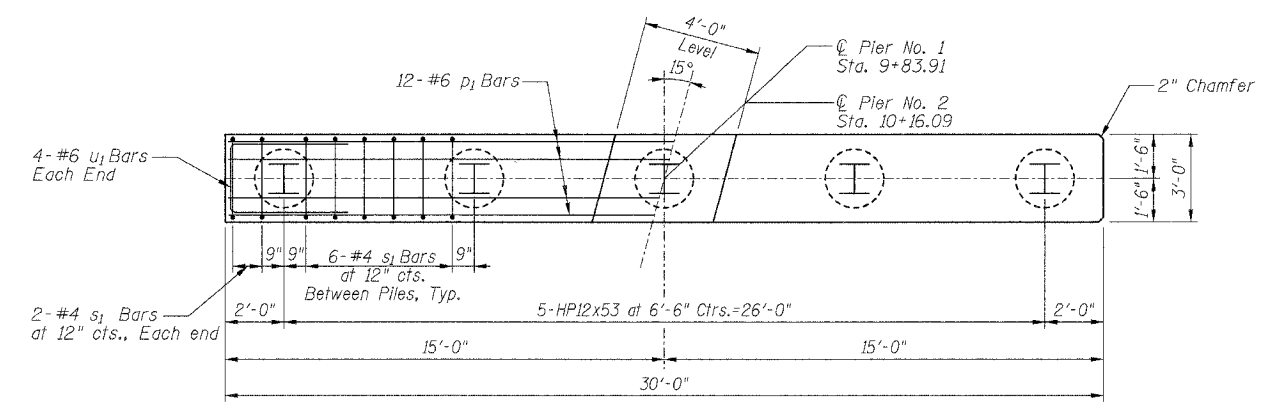
Bar	No.	Size	Length	Shape
p <sub>1</sub>	12	#6	29'-8"	—
s <sub>1</sub>	28	#4	10'-5"	□
u <sub>1</sub>	8	#6	9'-0"	⊔
Concrete Structures			Cu. Yd.	8.7
Concrete Encasement (Pier 1)			Cu. Yd.	9.4
Concrete Encasement (Pier 2)			Cu. Yd.	7.1
Reinforcement Bars			Pound	840



**#4 s<sub>1</sub> BARS**



**#6 u<sub>1</sub> BARS**



**PLAN**

**GENERAL NOTES**

All exposed edges shall have 2" chamfer, unless otherwise noted.

All clearances between rebar and form surface shall be 2", unless otherwise noted.

Space reinforcement in cap to miss PPCDB dowel rods.

**PIER DETAILS**  
PROPOSED BRIDGE CARRYING  
TR 272 OVER SANDY RUN  
SECTION 04-18117-00-BR  
FAYETTE COUNTY, ILLINOIS

10/07/2005