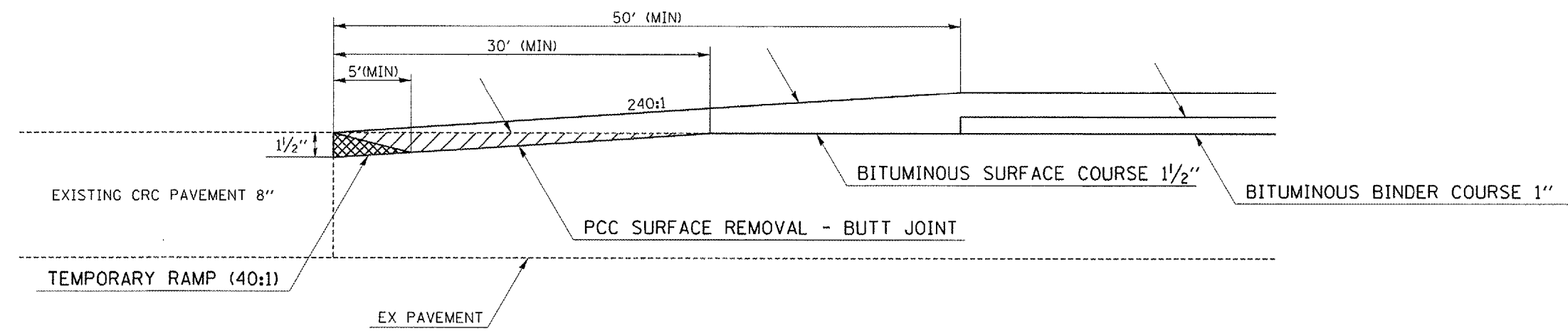


F.A.P. RTE.	SECTION	COUNTY	TOTAL SHEETS	SHEET NO
331	(12-1) RS-1	JACKSON	16	14
STA.		TO STA.		
FED. ROAD DIST. NO.		ILLINOIS	FED. AID PROJECT	
CONTRACT NO. 98904				

BUTT JOINT DETAIL

FAP 331 (IL 13)
VARIOUS LOCATIONS

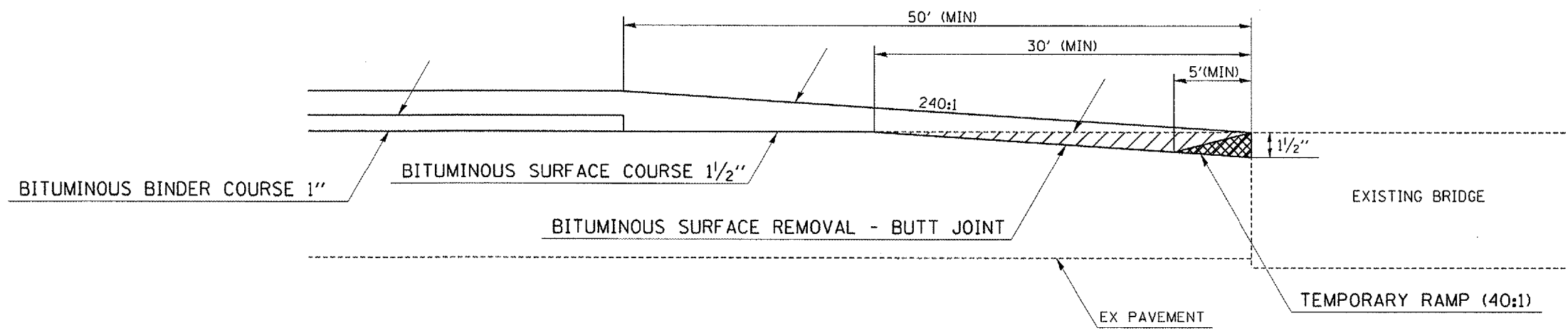


TO BE USED:

- STA 91+95 TO STA 92+45 AND STA 99+20 TO STA 99+70
- STA 261+95 TO STA 262+45 AND STA 268+35 TO STA 268+85
- STA 317+85 TO STA 318+35 AND STA 325+45 TO STA 325+95

BUTT JOINT DETAIL

FAP 331 (IL 13)
VARIOUS LOCATIONS



TO BE USED:

- STA 167+75 TO STA 168+25 AND STA 170+26 TO STA 170+76
- STA 242+57 TO STA 243+07 AND STA 244+70 TO STA 245+20

PLOT DATE = 10/3/2005
 FILE NAME = c:\projects\901005\901005.ms.m32
 PLOT SCALE = 108.4337' / IN.
 USER NAME = thomasf