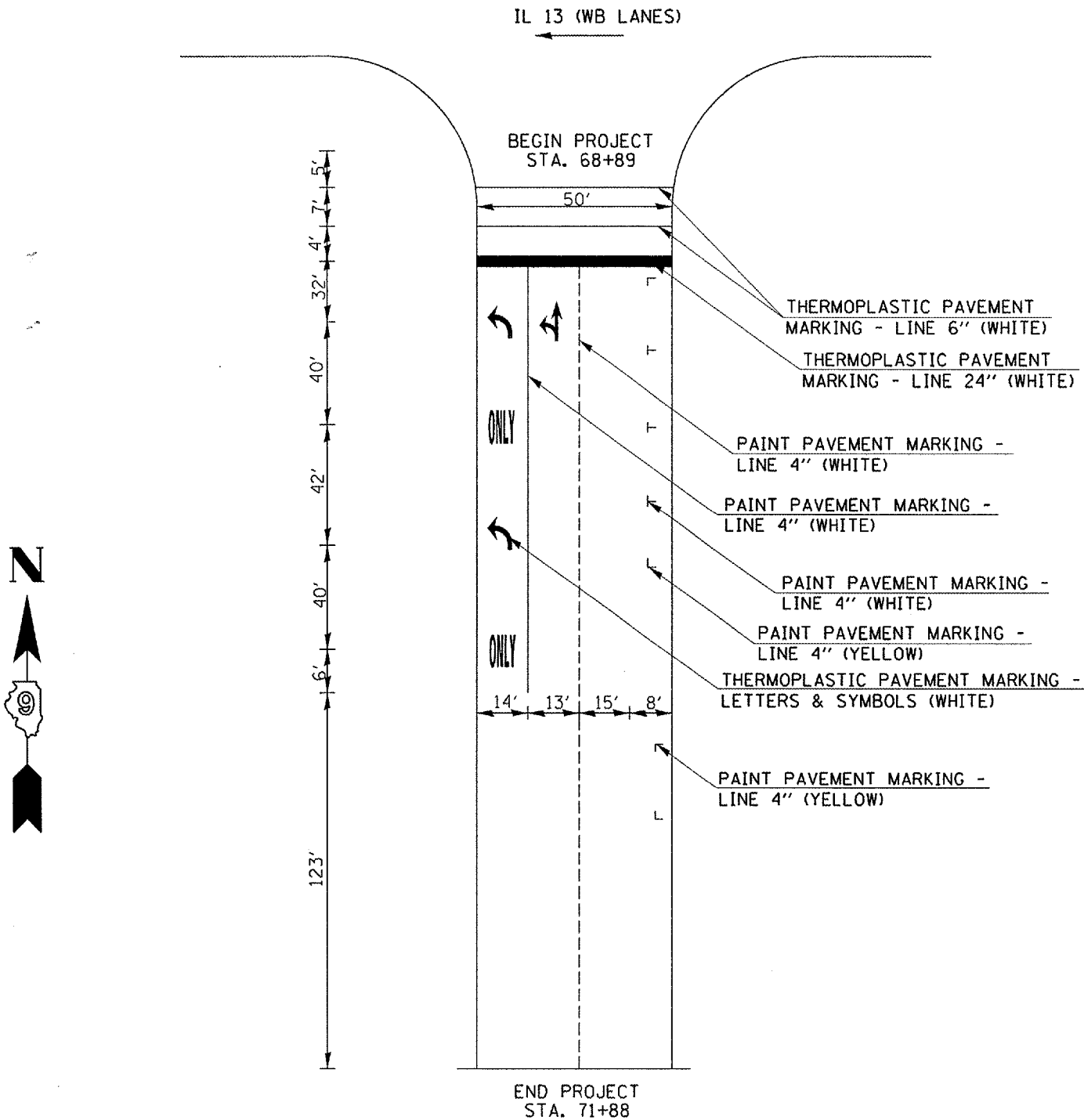


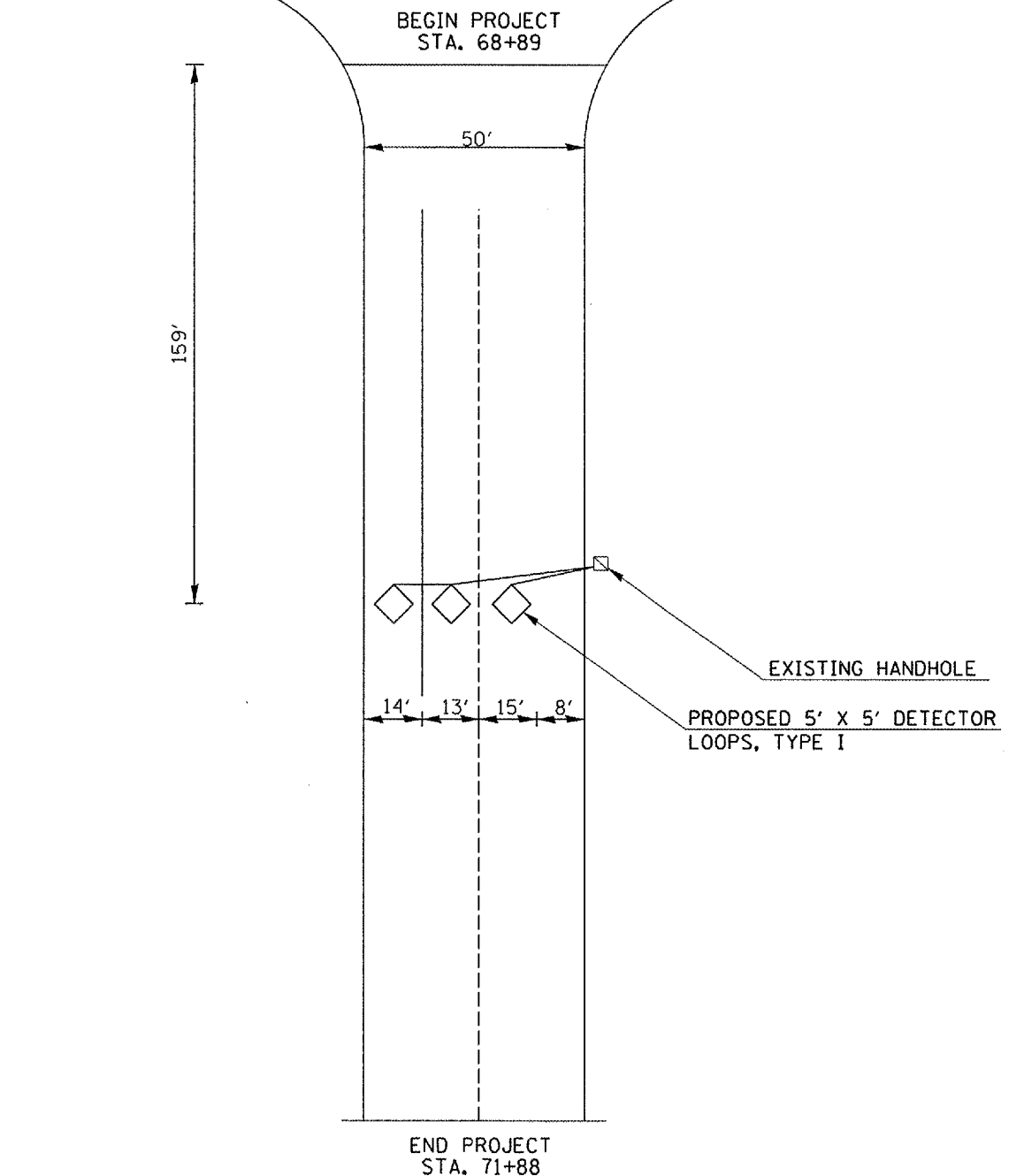
LOCATION #5
 FAP 322 (U.S. 51)
 JACKSON CO.
 PAVEMENT MARKING DETAIL
 NOT TO SCALE



* DIMENSIONS ARE TO THE CENTER OF PAVEMENT MARKINGS

LOCATION #5
 FAP 322 (U.S. 51)
 JACKSON CO.
 DETECTOR LOOP DETAIL
 NOT TO SCALE

VARIOUS ROUTES
 D-9 CONT. MAINT. FY 06-3
 VARIOUS CO.
 CONTRACT #98924
 SHEET 29 OF 42



* DIMENSIONS ARE TO THE CENTER OF DETECTOR LOOPS