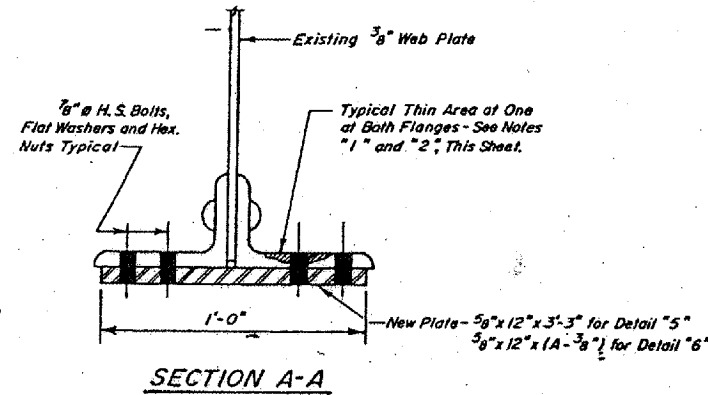
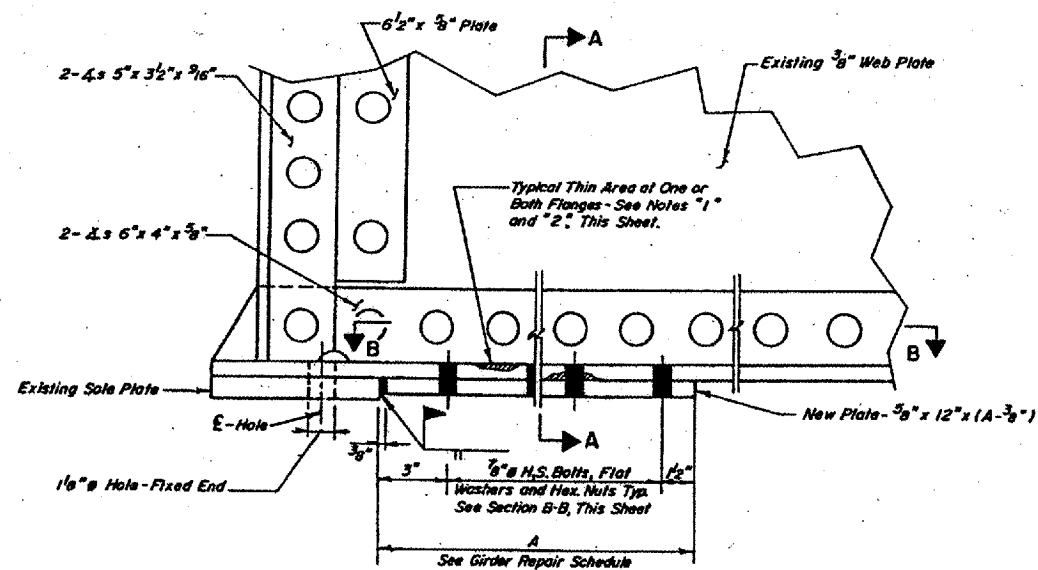


ELEVATION

GIRDER MID-FLANGE REPAIR - DETAIL "5"

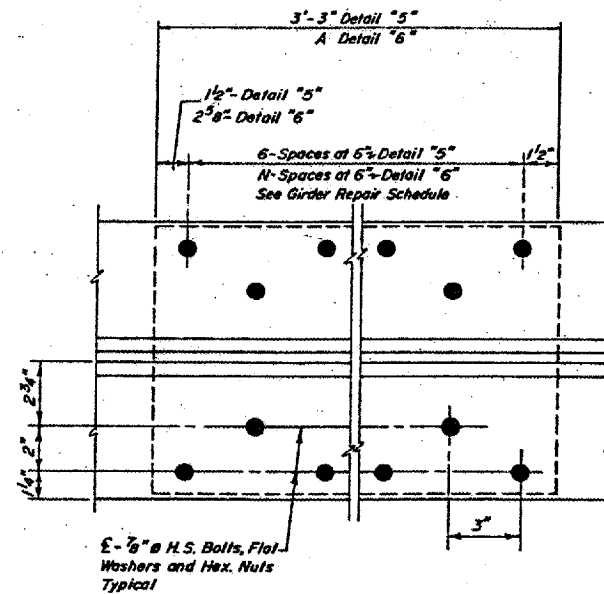


SECTION A-A



ELEVATION

GIRDER FIXED END FLANGE REPAIR - DETAIL "6"



SECTION B-B

NOTES:

- Contractor to clean the vicinity of the thin area and remove all rust, foreign material and all old paint down to the bare metal.
- Filler plates of 3/8" minimum thickness shall be used at locations where connection bolts pass thru thin area of existing members.

BILL OF MATERIAL			
Description	No. of Locations Occurring	Unit	Total Quantity
Girder Expansion End Flange Removal and Replacement - Illinois Approach Girders	13	Lb.	1990
Girder Expansion End Flange Removal and Replacement - Missouri Approach Girders	13	Lb.	1880
Girder Mid-Flange Repair Illinois Approach Girders	4	Lb.	440
Girder Mid-Flange Repair Missouri Approach Girders	0	Lb.	0
Girder Fixed End Flange Repair Illinois Approach Girders	17	Lb.	1330
Girder Fixed End Flange Repair Missouri Approach Girders	4	Lb.	230

LIST OF MATERIAL			
DETAIL NUMBER	NO. PLACES OCCURRING	LIST OF MATERIAL PER LOCATION	
		PLATES	7/8" Ø BOLTS
3	7	2-3/4 x 3" x 24", 1-5/8" x 12" x 26", 2-5/8" x 6" x 4" x 2'-2" Angles	36
	2	2-3/4 x 3" x 23 1/4", 1-5/8" x 12" x 26", 2-5/8" x 6" x 4" x 2'-1" Angles	36
4	14	1-3/4 x 3" x 24", 1-5/8" x 6" x 26", 1-5/8" x 6" x 4" x 2'-2" Angle	24
	3	1-3/4 x 3" x 23 1/4", 1-5/8" x 6" x 26", 1-5/8" x 6" x 4" x 2'-1" Angle	24
5	4	1-5/8" x 12" x 3'-3"	26
	5	1-5/8" x 12" x 16 1/8"	10
	5	1-5/8" x 12" x 22 1/8"	14
	3	1-5/8" x 12" x 28 1/8"	18
	7	1-5/8" x 12" x 34 1/8"	22
6	1	1-5/8" x 12" x 40 1/8"	26

DESIGNED <i>J. J. ...</i>
CHECKED R.F.C.
DRAWN <i>J. J. ...</i>
CHECKED R.F.C. - F.C.

BRIDGE NO. 1
STRUCTURE 002-0005
FOR INFORMATION ONLY

APPROACH SP...
GIRDER REPAIR DETAILS
F.A.U.S. Rte. 9811 (U.S. 60 & 62)
S.B.I. 150 SECTION 138D-BR
ALEXANDER CO., IL. MISSISSIPPI CO., MO.
STATION 28+13.08