

ILLINOIS APPROACH - PLATE GIRDER BEARING REPAIR SCHEDULE

SPAN NUMBER	PIER NUMBER	GIRDER LOCATION				REMARKS
		UPSTREAM	DOWNSTREAM	UPSTREAM-INSIDE	DOWNSTREAM-INSIDE	
2N	2N TO IN	Inside anchor bolt is missing at Pier 1N. See Expansion Bearing Replacement Detail, Sheet 32	Base plate has 1/4" loss of section at top on the outside and the inside anchor bolt is missing at Pier 1N. See Exp. Brg. Replacement Detail, Sheet 32			
1N	1N TO A	Base plate has 1/4" loss of section at top on the inside, sole plate has 50% loss of section on the outside and the inside and outside anchor bolts are missing at Pier A. See Exp. Bearing Replacement Detail, Sheet 32	Base plate has 1/2" loss of section at top on the outside and the inside and outside anchor bolts are missing at Pier A. See Expansion Bearing Replacement Detail, Sheet 32	Base plate has 1/2" loss of section on the inside and 1/4" loss of section on the outside at top and the inside and outside anchor bolts are missing at Pier A. See Expansion Bearing Replacement Detail, Sheet 32	Base plate has 1/2" loss of section at top on the outside, sole plate has 50% loss of section on the inside and the inside and outside anchor bolts are missing at Pier A. See Exp. Bearing Replacement Detail, Sheet 32	

ILLINOIS APPROACH SPANS

PIER NUMBER	PLATE SIZE	
	U.S.I.S. B D.S.I.S.	U.S. B D.S.
A	14"x13"x4 1/2"	14"x13"x2 9/16"
21N	14"x13"x3 1/2"	14"x13"x1 9/16"
1N - 20N	14"x20"x3 1/2"	14"x20"x1 9/16"

PIER NUMBER	PLATE SIZE			
	U.S. (GIRDER A)	U.S.I.S. (GIRDER B)	D.S.I.S. (GIRDER C)	D.S. (GIRDER D)
H	13"x14"x2 5/8"	13"x14"x3 5/8"	13"x14"x4 5/8"	13"x14"x5 5/8"
15-12S	20"x14"x1 5/8"	20"x14"x2 5/8"	20"x14"x3 5/8"	20"x14"x4 5/8"
13S	13"x14"x1 5/8"	13"x14"x2 5/8"	13"x14"x3 5/8"	13"x14"x4 5/8"

EXISTING SOLE PLATES

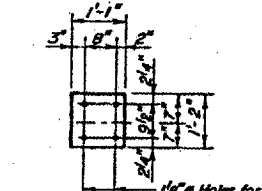
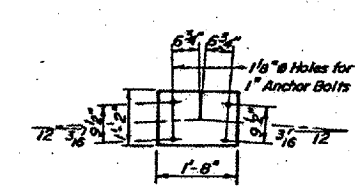
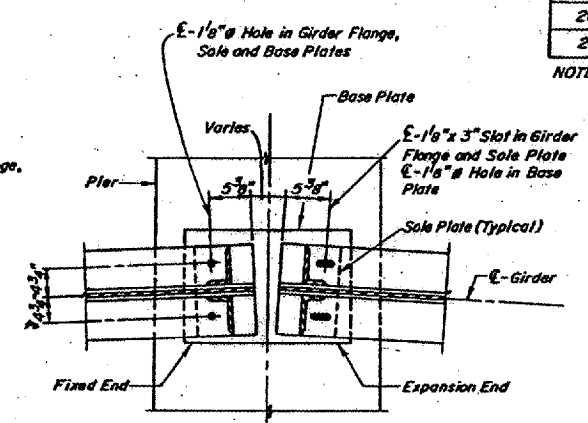
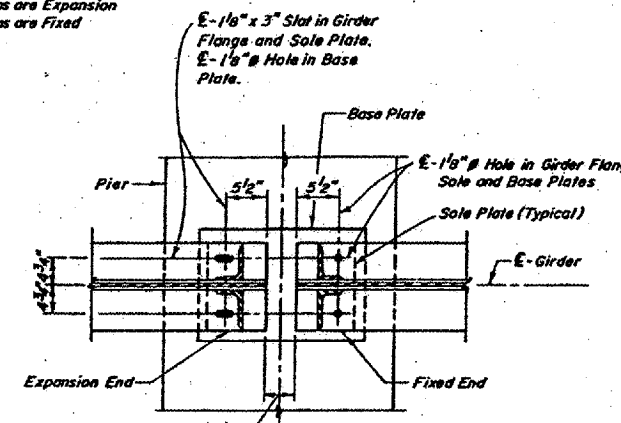
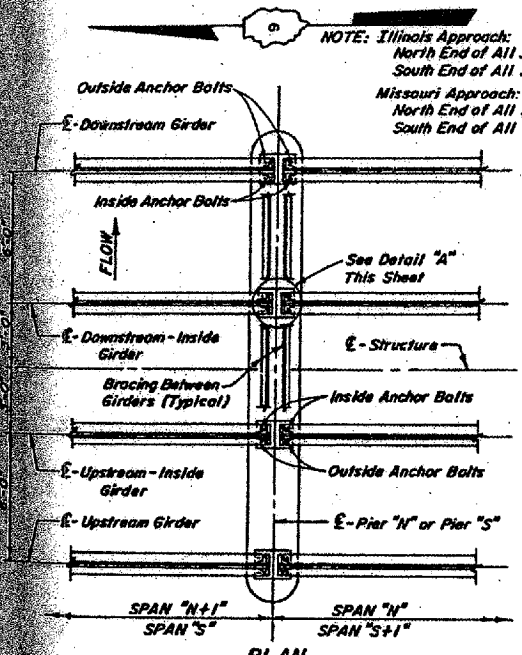
PIER NUMBER	PLATE THICKNESS	
	EXPANSION END	FIXED END
A	*	*
1N	2 3/32" x 2"	7/8" x 1 3/16"
2N	3/4" x 1 5/32"	7/8" x 1 1/8"
3N	2 3/32" x 9/16"	7/8" x 1 1/8"
4N	1 3/16" x 5/8"	2 3/32" x 3 1/32"
5N	1 3/16" x 1 1/16"	2 3/32" x 2 3/32"
6N	1 3/16" x 2 5/32"	1 3/16" x 2 3/32"
7N-18N	1 3/16"	1 3/16"
19N	1 3/16" x 2 5/32"	1 3/16" x 2 7/32"
20N	1 3/16" x 1 1/16"	2 3/32" x 3 3/32"
21N	1 3/16" x 1 1/16"	1 3/16" x 2 3/32"

NOTE: All Sole Plates are 12 1/2" Wide and 7 1/2" Long.

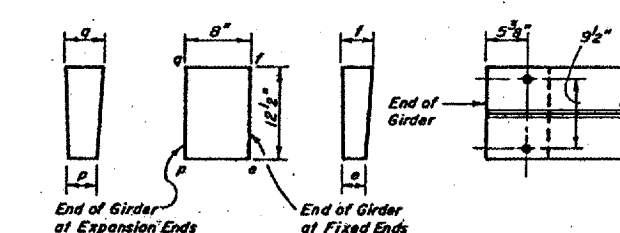
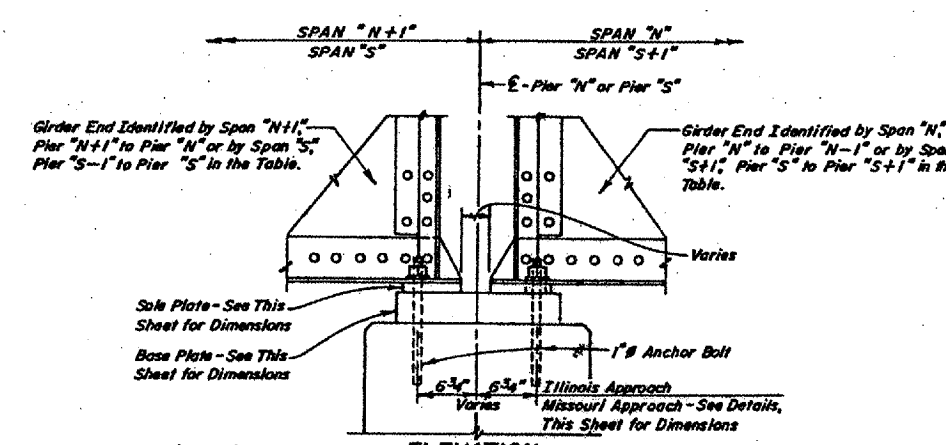
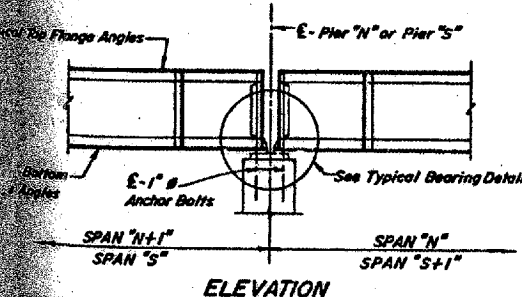
EXISTING SOLE PLATES (SEE DETAILS BELOW)

PIER NUMBER	PLATE THICKNESS							
	EXPANSION END				FIXED END			
	e	f	p	q	e	f	p	q
H	2 1/32"	2 3/32"	1"	1 3/16"				
15	1 9/32"	2 3/32"	7/8"	1 1/16"	1"	1 3/16"	1 11/32"	1 17/32"
25	1 1/16"	7/8"	2 3/32"	1 3/32"	1"	1 3/16"	1 3/32"	1 15/32"
35	3/4"	1 5/16"	2 3/32"	1 3/32"	1"	1 3/16"	1 5/32"	1 11/32"
45	1 3/16"	1"	2 3/32"	1 3/32"	3 1/32"	1 3/32"	1 8/16"	1 1/16"
55	2 3/32"	1 3/32"	1 5/16"	1 1/8"	3 1/32"	1 3/32"	1 1/8"	1 1/4"
65-85	1 5/16"	1 1/8"	1 5/16"	1 1/8"	1 5/16"	1 1/8"	3 1/32"	1 3/32"
95	2 3/32"	1 3/32"	1 5/16"	1 1/8"	1 5/16"	1 1/8"	1 5/16"	1 1/8"
105	1 5/16"	1"	2 3/32"	1 3/32"	1 5/16"	1 1/8"	3 1/32"	1 3/32"
115	3/4"	1 5/16"	2 3/32"	1 3/32"	3 1/32"	1 3/32"	1 1/16"	1 1/4"
125	*	*	*	*	1 5/16"	1 1/8"	1 1/16"	1 1/4"

* Values Not Available



BASE PLATE DETAILS



MISSOURI APPROACH SOLE AND BASE PLATE DETAILS (EXISTING)

NOTE: Existing Girder Bearing Details given on this Sheet are for information only.

BRIDGE NO. 1
STRUCTURE 002-0005
FOR INFORMATION ONLY

ILLINOIS APPROACH SPANS
BEARING REPAIR SCHEDULE
F.A.U.S. Rte. 9811 (U.S. 60 & 62)
S.B.I. 150 SECTION 138D-BR
ALEXANDER CO., IL. MISSISSIPPI CO., MO.
STATION 28+13.08