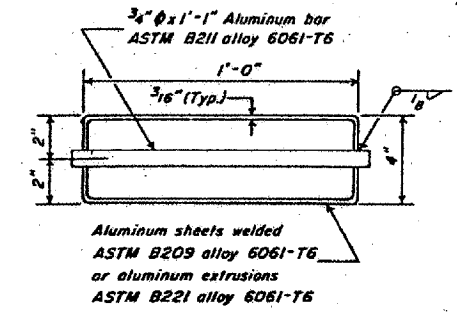
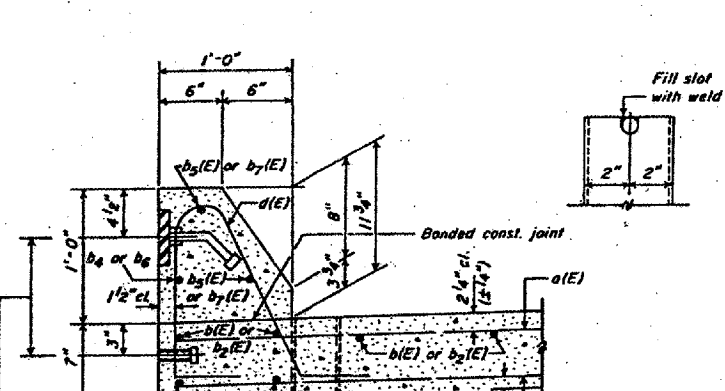
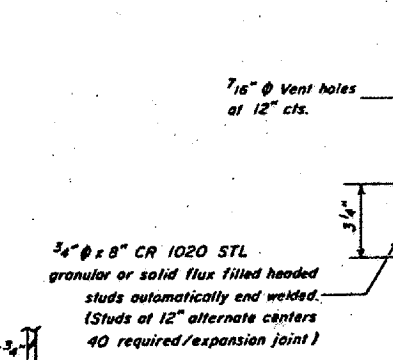


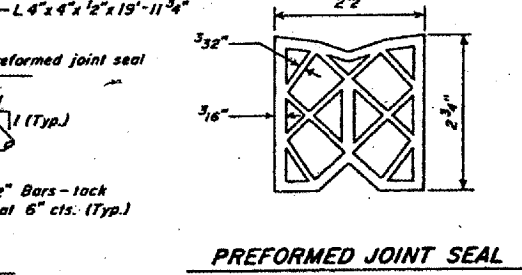
INSIDE ELEVATION OF CURB



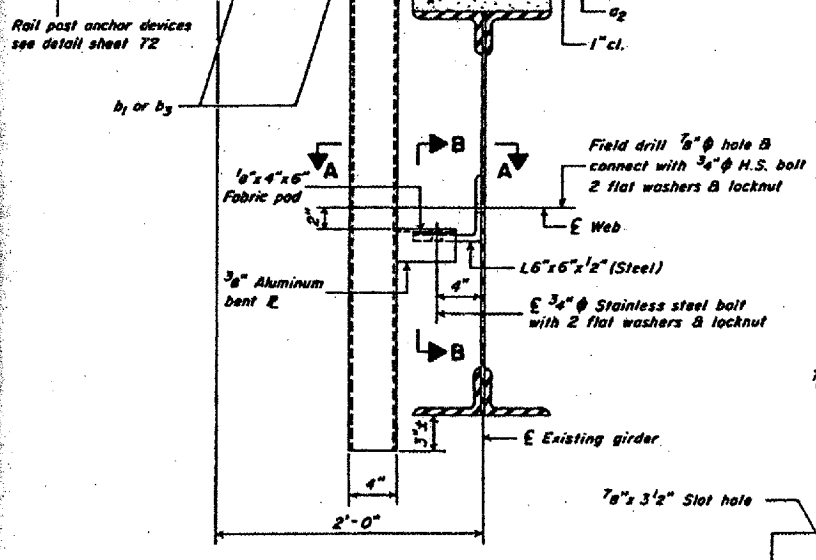
DRAIN DETAIL



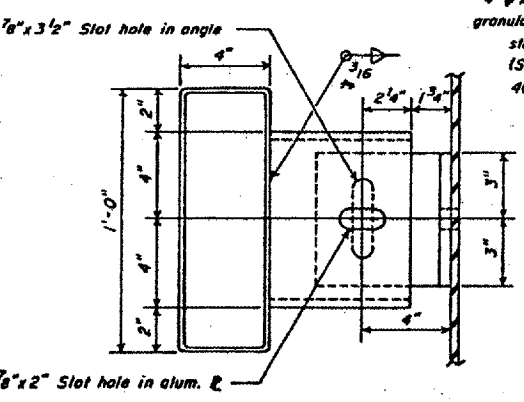
TYPICAL SECTION



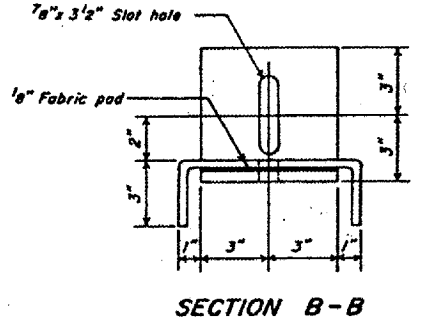
PREFORMED JOINT SEAL



SECTION THRU CURB



SECTION A-A

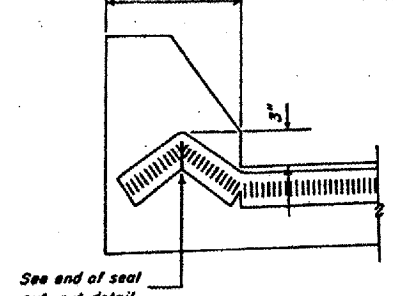


SECTION B-B

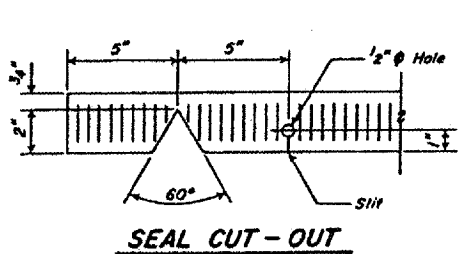
NOTE

The exterior surfaces of the aluminum drains shall be cleaned and given a washcoat pretreatment in accordance with the Steel Struct. Painting Council's Spec. SSPC-SPI & SSPC-PT3 followed by the Basic Lead Silico Chromate Painting specified for structural steel.

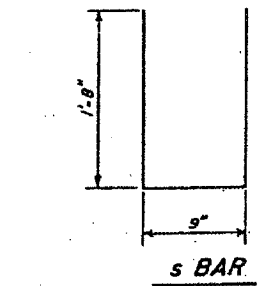
PREFORMED JOINT DETAILS



TYPICAL END OF SEAL TREATMENT



SEAL CUT-OUT

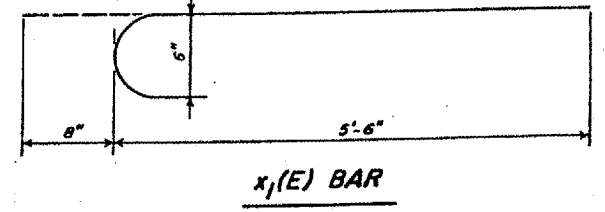


S BAR

BILL OF MATERIAL

BAR	NUMBER				SIZE	LENGTH	SHAPE
	SPAN 21N	SPAN 20N-2N	SPAN 1N	TOTAL			
a(E)	113	2284	120	2517	#5	21'-8"	—
a1(E)	11	15	2	28	#7	21'-8"	—
a2	74	1489	77	1640	#5	21'-8"	—
a3	5			5	#6	21'-8"	—
a4	5	15		20	#6	18'-8"	—
b(E)	48			48	#5	29'-5"	—
b1	54			54	#5	29'-5"	—
b2(E)		912	48	960	#5	29'-10"	—
b3		738	38	776	#5	29'-10"	—
b4	4			4	#6	29'-8"	—
b5(E)	8			8	#6	29'-8"	—
b6		76	4	80	#6	29'-1"	—
b7(E)		152	8	160	#6	29'-1"	—
d(E)	114	2128	112	2354	#4	3'-10"	—
s	244	244		488	#3	4'-1"	—
x(E)	74	111		185	#6	8'-4"	—
x1(E)			30	30	#6	6'-2"	—

Reinforcement Bars	Pound	67,200
Reinforcement Bars (Epoxy Coated)	Pound	104,430
Class X Concrete	Cu. Yd.	685.6
Furnishing & Erecting Structural Steel	Pound	41,240
Shear Connectors 3/4" Ø	Each	10,248
Preformed Joint Sealer 2 1/2"	Lin. Ft.	433.4
Floor Drains	Each	152



x1(E) BAR

DESIGNED	hmc
CHECKED	RFC
DRAWN	srh
CHECKED	RFC-ES

BRIDGE NO. 1  
STRUCTURE 002-0005  
FOR INFORMATION ONLY

ILLINOIS APPRO SPANS  
DECK DETAILS  
CONCRETE FLOOR ALTERNATE  
F.A.U.S. Rte. 9811 (U.S. 60 & 62)  
S.B.I. 150 SECTION 138D-BR  
ALEXANDER CO., IL. MISSISSIPPI CO., MO.  
STATION 28+13.08