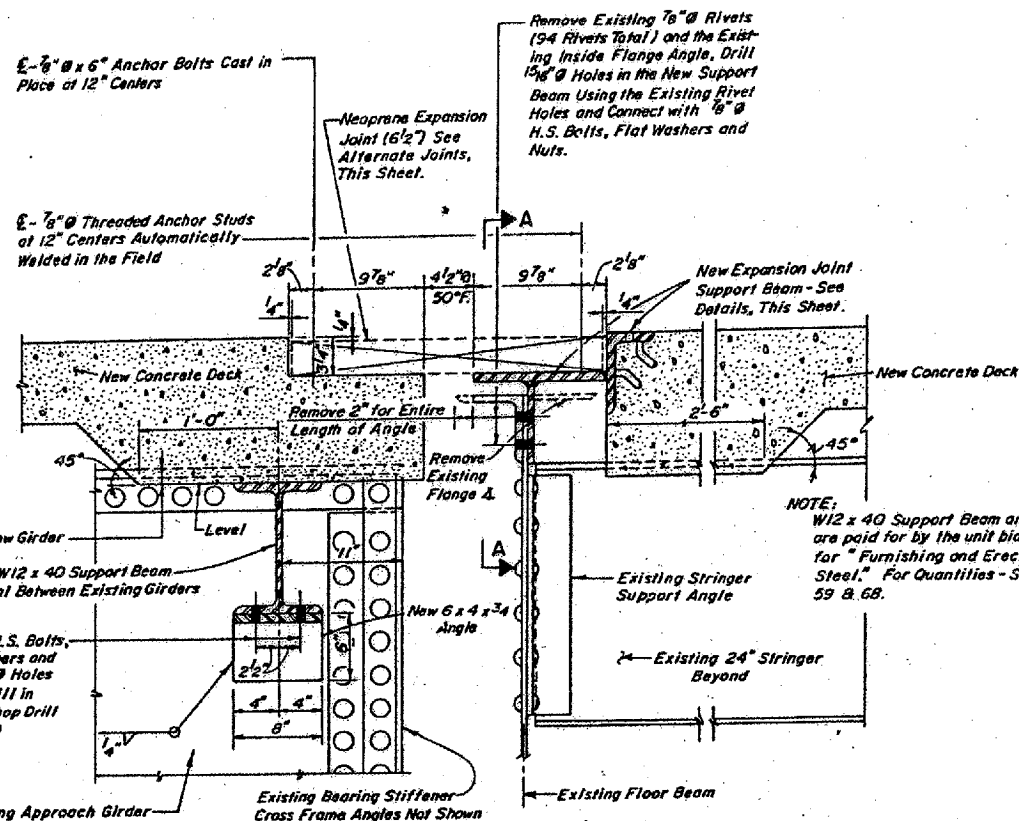


STATE OF ILLINOIS
DEPARTMENT OF TRANSPORTATION

CONTRACT 98939
U.S. RTE. 60 & U.S. RTE. 62
(138D-BR) P-1
ALEXANDER COUNTY
SHEET 65 OF 85
GENERAL TIRE COMPANY

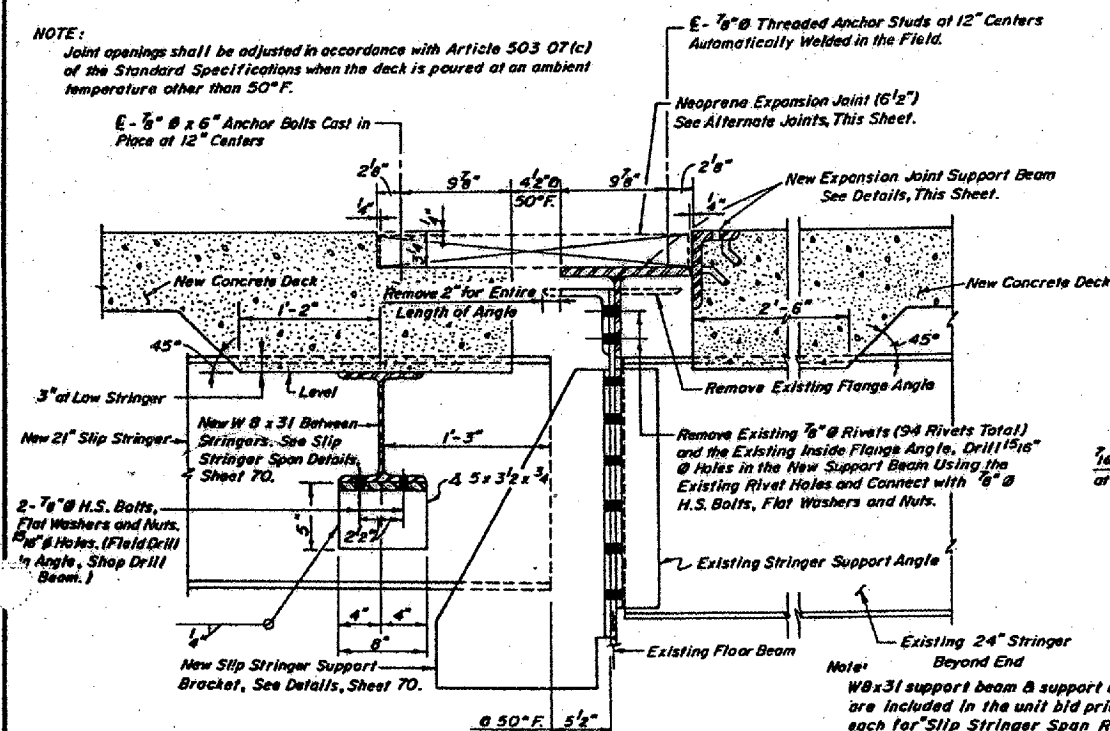
MODEL
TRANSFLEX, MODEL 650
NEOPRENE EXPANSION JOINTS (6 1/2")
(SEE SPECIAL PROVISIONS)

BILL OF MATERIAL			
DESCRIPTION	LOCATION	UNIT	TOTAL QUANTITY
Furnishing and Erecting Structural Steel	Pier "H"	Pound	1,810
Furnishing and Erecting Structural Steel	Pier "A" and Panel Points 15, 23, 47, 55, 79 and 87	Pound	10,860
Neoprene Expansion Joints (6 1/2")	Pier "A" and Panel Points 15, 23, 47, 55, 79 and 87	Lin. Ft.	171

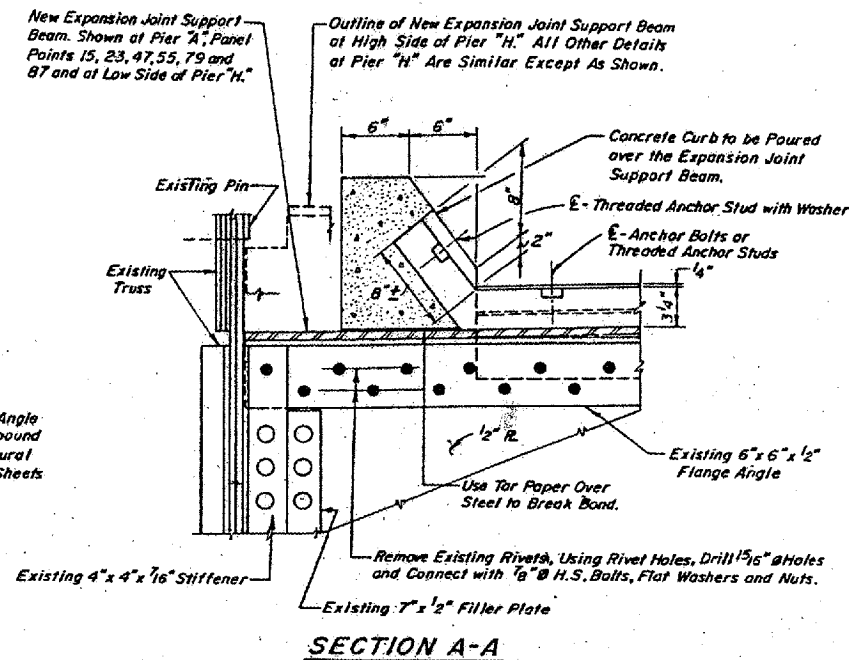


SECTION AT PIER "A" AND "H" EXPANSION JOINTS
(PIER "A" SHOWN, PIER "H" SIMILAR)

NOTE:
Joint openings shall be adjusted in accordance with Article 503.07(c) of the Standard Specifications when the deck is poured at an ambient temperature other than 50°F.

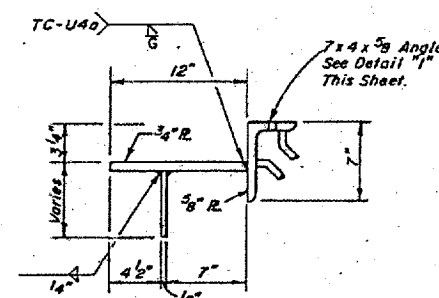


SECTION AT SLIP STRINGER EXPANSION JOINTS
(TYPICAL PANEL POINTS 15, 23, 47, 55, 79 & 87)

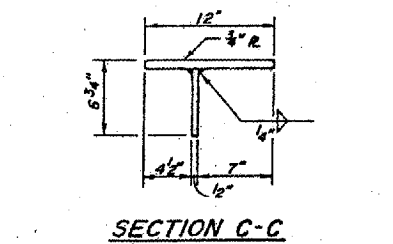


SECTION A-A

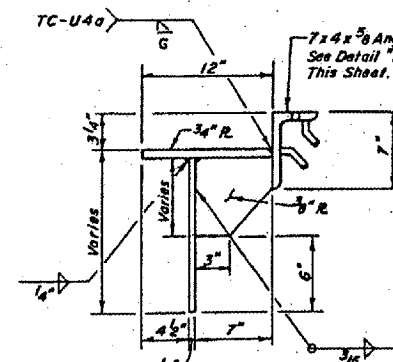
NOTE:
Expansion Joint Support Beams are paid for by the unit bid price per pound for "Furnishing and Erecting Structural Steel." For Quantities See Table of Bill of Material, This Sheet.



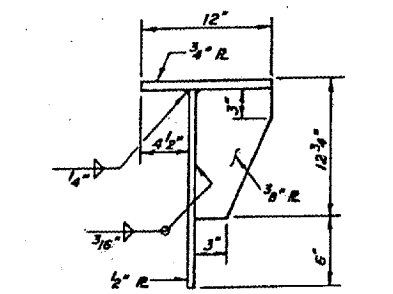
SECTION B-B



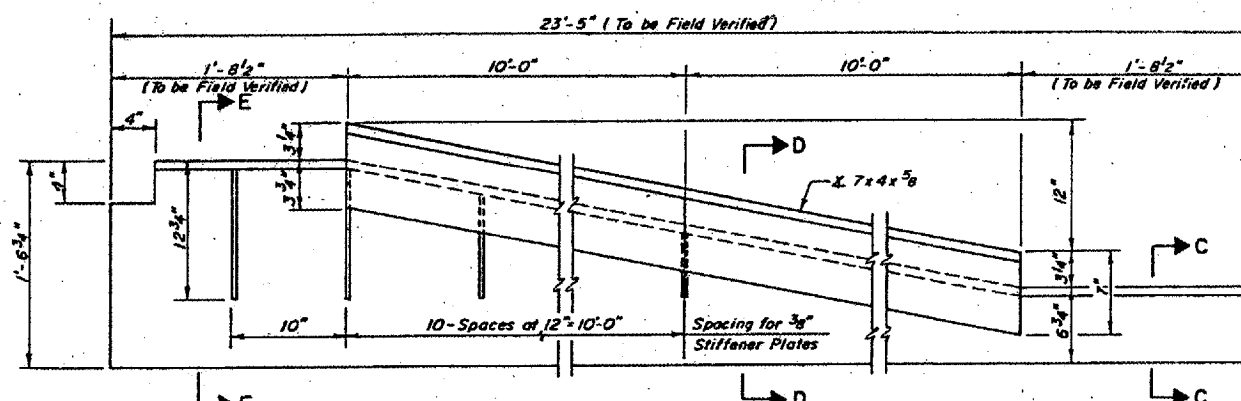
SECTION C-C



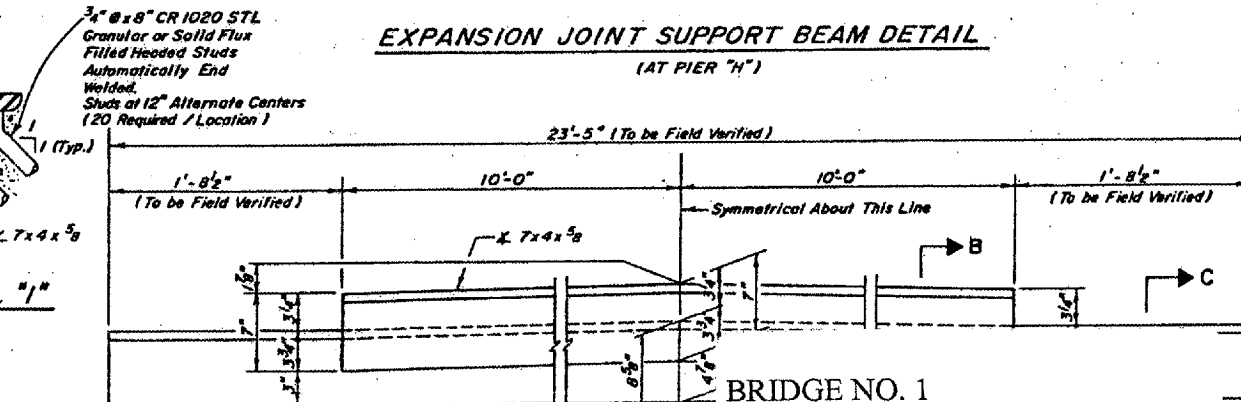
SECTION D-D



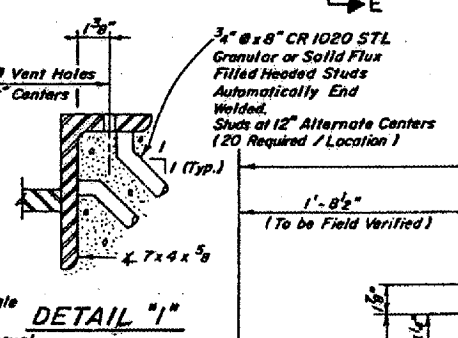
SECTION E-E



EXPANSION JOINT SUPPORT BEAM DETAIL
(AT PIER "H")



EXPANSION JOINT SUPP
(TYPICAL EXCEPT AT)



DETAIL "1"

DESIGNED	J. J. J.
CHECKED	R. F. C.
DRAWN	J. J. J. - C. F. C.
CHECKED	R. F. C. - F. S.

BRIDGE NO. 1
STRUCTURE 002-005
FOR INFORMATION ONLY

EXPANSION JOINT DETAILS
CONCRETE FLOOR ALTERNATE
F.A.U.S. Rte. 9811 (U.S. 50 & 62)
S.B.I. 150 SECTION 138D-BR
ALEXANDER CO., IL. MISSISSIPPI CO., MO.
STATION 28+13.08