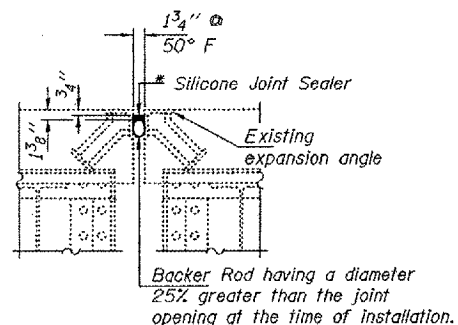


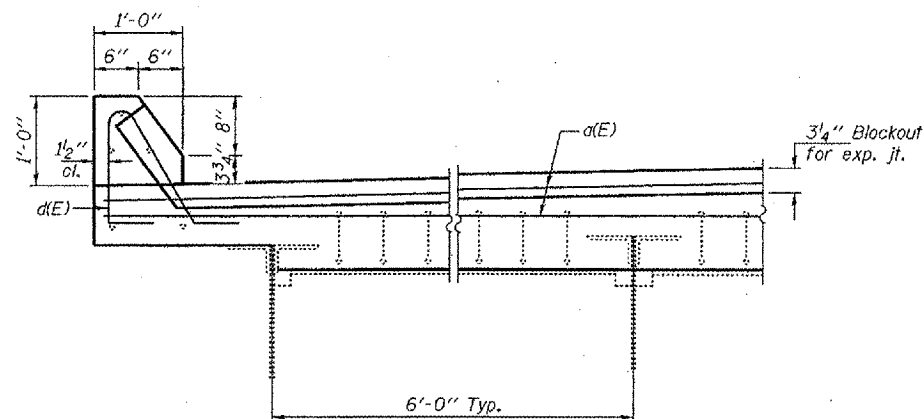
**SECTION AT PIERS 19N & 20N
& PIERS 1S THRU 12S**

REPAIR 1

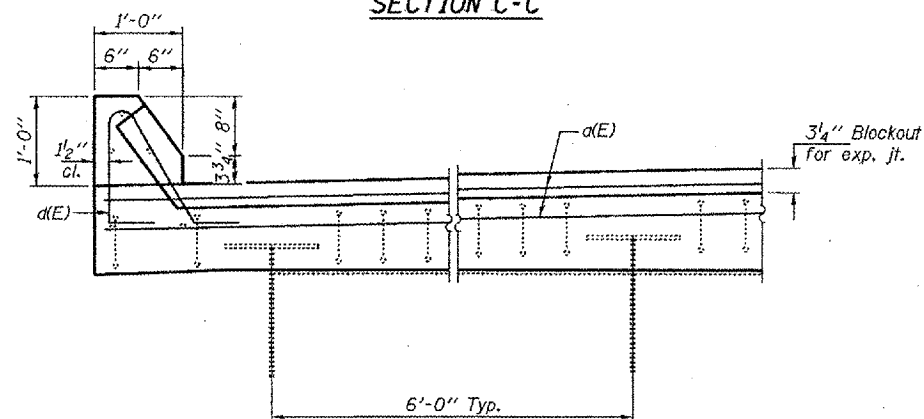


SECTION AT PIERS IN THRU 18N

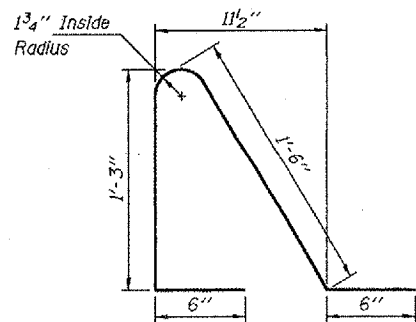
* Remove existing PJS, & replace with Silicone Joint Sealer as shown.



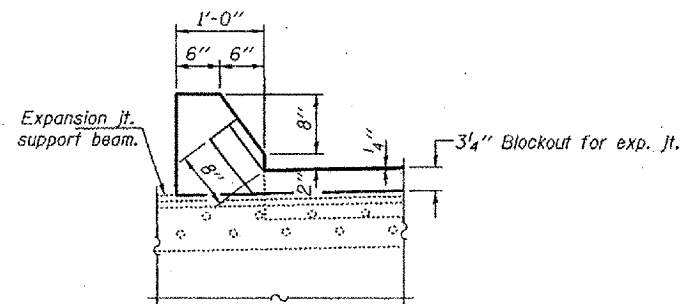
SECTION C-C



SECTION D-D



BAR d(E)



SECTION E-E

BRIDGE NO. 1
STRUCTURE 002-0005
FOR INFORMATION ONLY

**BRIDGE REPAIRS
OLD CAIRO BRIDGE OVER MISSISSIPPI RIVER
FAS RTE. 944 (US 60 & 62)
SEC. (138D-BR)1-5
ALEXANDER COUNTY
SN 002-0005**

DESIGNED	DAB
CHECKED	JSB
DRAWN	ballva
CHECKED	DAB JSB

MARCH 14, 2005
EXAMINED *John A. Morris*
ENGINEER OF STRUCTURAL SERVICES
PASSED *Ralph E. Anderson*
ENGINEER OF BRIDGES AND STRUCTURES