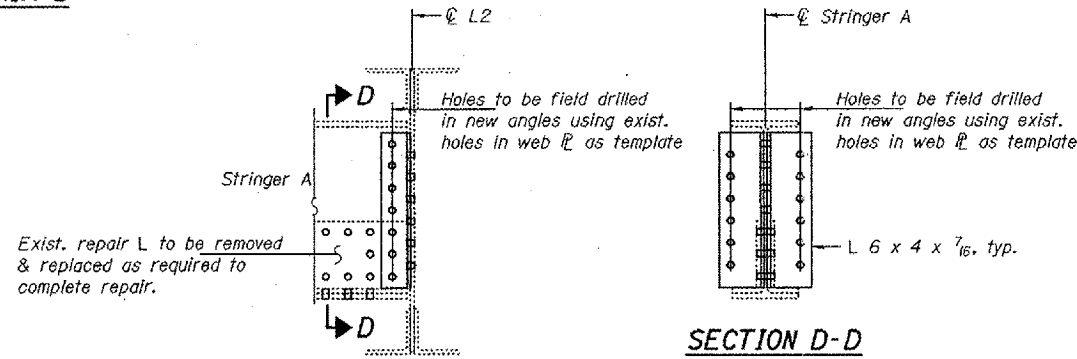
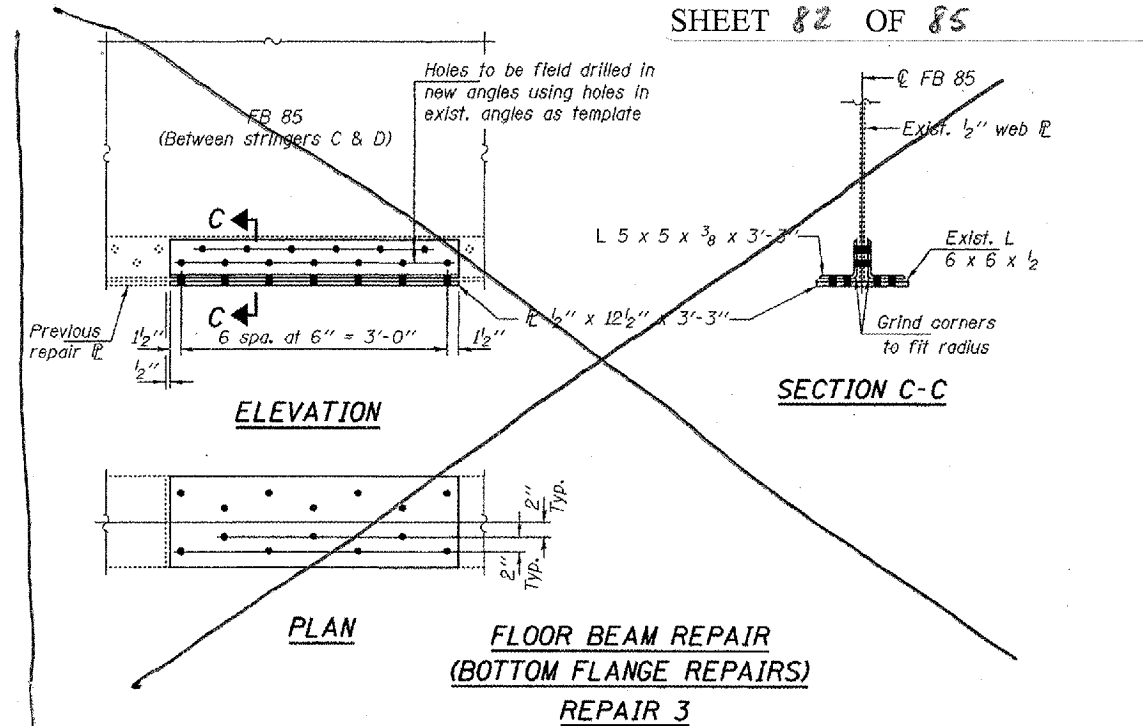
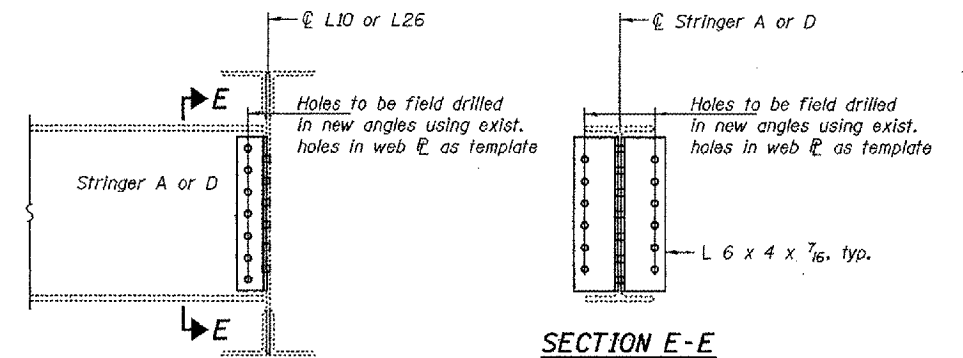


REPAIR 3



REPAIR 8

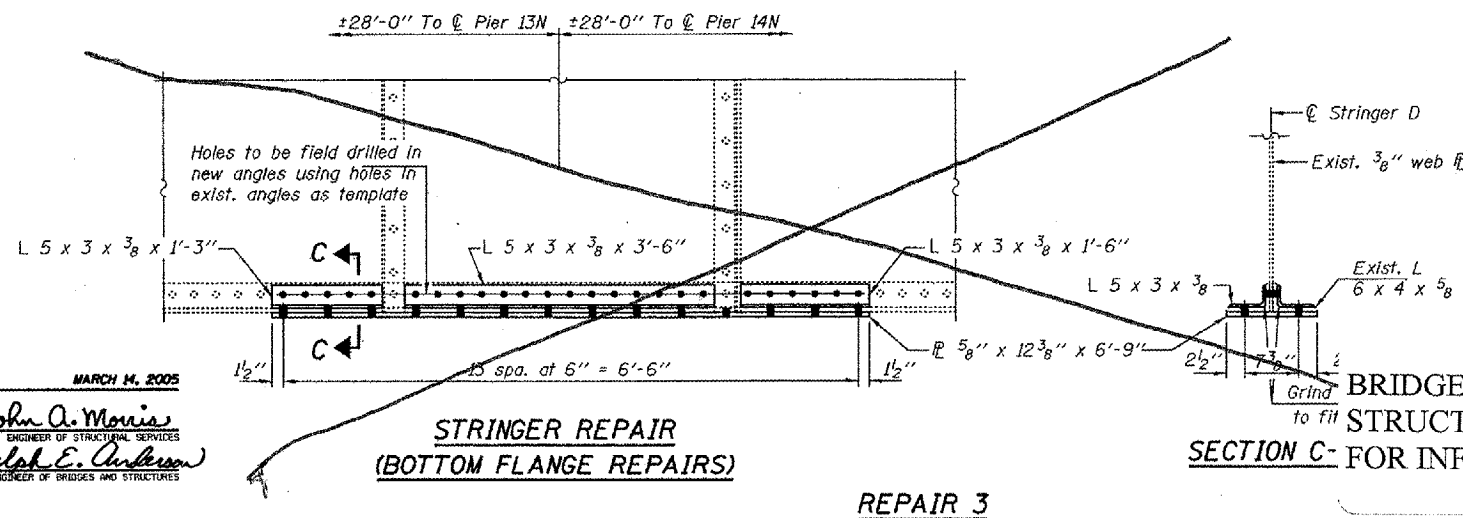
Note:
Temporary shoring & cribbing
of stringer end is required.



REPAIR 8

L10, Stringers A & D
L26, Stringer D

Note:
Temporary shoring & cribbing
of stringer end is required.



**BRIDGE NO. 1
STRUCTURE 002-0005
SECTION C- FOR INFORMATION ONLY**

DESIGNED	DAB
CHECKED	JSB
DRAWN	ballva
CHECKED	DAB JSB

MARCH 14, 2005
EXAMINED *John A. Morris*
ENGINEER OF STRUCTURAL SERVICES
PASSED *Ralph E. Anderson*
ENGINEER OF BRIDGES AND STRUCTURES

**BRIDGE REPAIRS
OLD CAIRO BRIDGE OVER MISSISSIPPI RIVER
FAS RTE. 944 (US 60 & 62)
SEC. (138D-BR)1-5
ALEXANDER COUNTY
SN 002-0005**